



www.flameritefires.com



2008/9



hole in the wall fires

pages 4 - 21

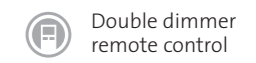
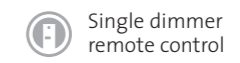
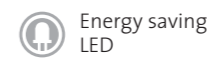
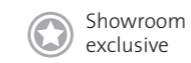
If you like the look of a low profile fire and have the depth to make a hole in the wall to accommodate (perhaps a chimney breast) then these are the fires for you. Some, like the Corello™ can be inset into a hole or with supplied spacer can be surface mounted. With the addition of the semi spacer the Omni, Alto and Atomic fires can be recessed into just one brick thickness.

As well as in this section more hole in the wall fires are found on Portrait page 43, Atlanta page 79 and Glazer page 85 .

Throughout the brochure inset dimensions = cuthole size.

◀ alto moonlight silver fire

Full details on page 6



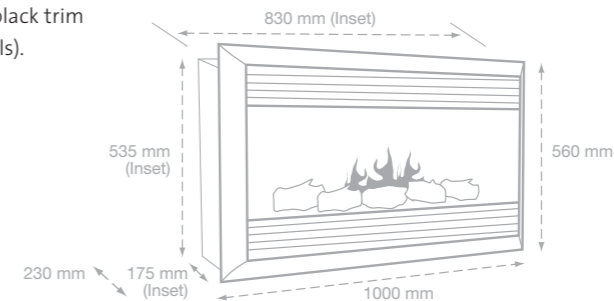


▲ atomic fire, silver with pebble fuel option and semi spacer to reduce inset depth

atomic fire

- High tech machined quality aluminium look
- Glass front moves back as heating starts and closes when switched off
- Concealed control panel and remote housing
- Unique separately controllable fuel radiance
- Fuel and flame fade up on activation
- Panoramic flame/log effect for maximum impact
- Multifunction remote control including double dimmer for flames and logs
- Internal manual override control panel
- Flame without heat setting
- Hidden heater 1000W/2000W
- Available with silver or black trim (silver frame both models).

Inset dimensions = cut hole size.



▲ atomic black with log fuel option, fully inset

atomic semi spacer option shown left

Speckled black finish semi spacer, ideal to reduce inset depth to less than one standard brick

Spacer dimensions (h) 700 mm, (w) 1240 mm, (d) 50mm, inset depth becomes (d) 115 mm

Height and width unchanged

Projection from wall becomes (d) 120 mm

Hang on the wall option also available, please see page 7 for details.

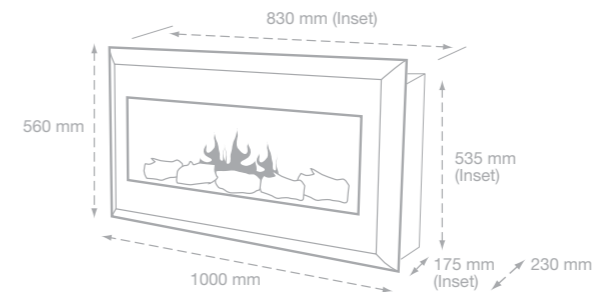


▲ alto moonlight silver with pebble fuel option, fully inset

alto fire

- Unique switchable fuel bed/log flicker
- Panoramic flame effect for maximum impact
- Multifunction remote control including double dimmer for flames and fuel bed
- Front glass panel
- Internal manual override control panel
- Flame without heat setting
- Hidden heater 1000W/2000W.

Inset dimensions = cut hole size.



▲ alto midnight black with log fuel option, hang on the wall version

alto hang on the wall option

Hang on the wall option is available with outer casing if no inset can be made.

Projection from the wall: 230 mm.
Wall footprint: (h) 560 mm x (w) 835 mm.

Semi spacer option also available, please see page 5 for details.

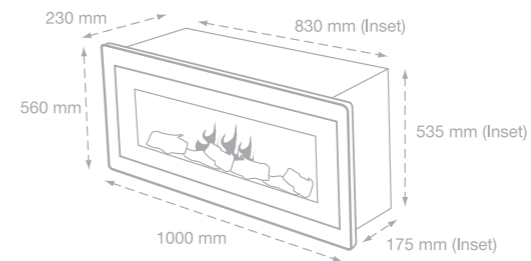


▲ omni argento with log fuel option, fully inset

omni fire

- Unique switchable fuel bed/log flicker
- Panoramic flame effect for maximum impact
- Multifunction remote control including double dimmer for flames and fuel bed
- Internal manual override control panel
- Flame without heat setting
- Hidden heater 1000W/2000W
- Omni argento has silver frame and central glass panel
- Omni glass has black glass front with open central panel.

Inset dimensions = cut hole size.



▲ omni glass with pebble fuel option, fully inset

omni fire

Both Omni fires are available with outer casing to hang on the wall surface see page 7 or with semi spacer to reduce inset depth see page 5.

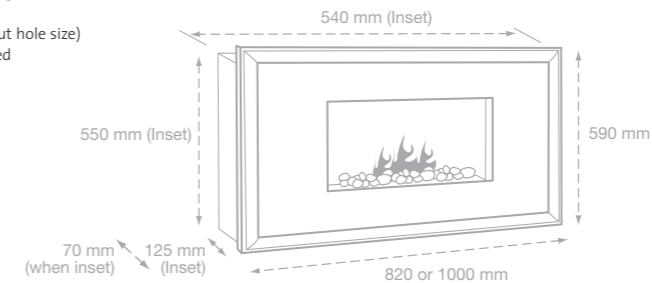


▲ 1000 corello extra in stone effect with pebbles, fully inset

corello™ extra fire

- Choice of three finishes, graphite, bronze or stone effect, with decorative silver frame
- Includes "spacer" for wall mounting
- Shallow inset dimensions
- Multifunction remote control including dimmer
- Alternative manual control panel on fire
- Flame without heat setting
- Hidden heater 1000W/2000W
- Choice of two widths 1000 mm or 800 mm and either pebbles or coal fuel effect
- Wall mounted version: back box/spacer in place, wall 'footprint' (h) 570 mm x (w) 700 mm. Projection from wall 195 mm.

*Please note, inset dimensions (cut hole size) when back box/spacer is removed



▲ 1000 corello extra in bronze with pebbles, surface mounted



▲ 1000 corello extra in graphite with optional driftwood, surface mounted

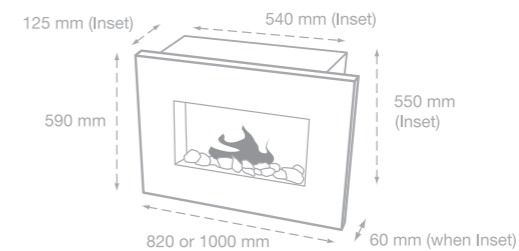


▲ 1000 corello mirror in black with pebbles, fully inset

corello™ mirror fire

- Choice of bright mirror or black mirror front panel (both with black body)
- Easy installation: can be wall mounted or recessed into shallow inset
- Includes "spacer" for wall mounting
- Multifunction remote control including dimmer
- Alternative manual control panel on fire
- Flame without heat setting
- Hidden heater 1000W/2000W
- Choice of two widths 1000 mm or 800 mm and either pebbles or coal fuel effect
- Simple lamp change
- Wall mounted version: back box/spacer in place, wall 'footprint' (h) 570 mm x (w) 700 mm. Projection from wall 185 mm.

*Please note, inset dimensions (cut hole size) when back box/spacer is removed



▲ 800 corello mirror in bright with coal, surface mounted

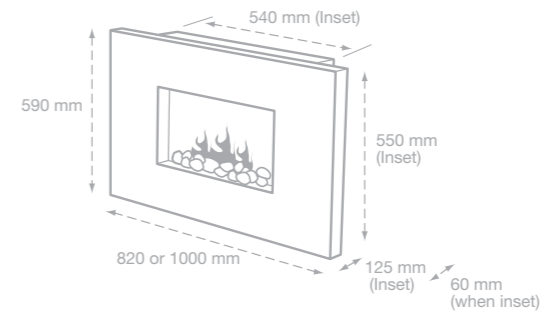


▲ 1000 corello stone standard version, wall mounted

corello™ standard fire

- Choice of three finishes, graphite, bronze or stone effect
- Includes "spacer" for wall mounting
- Shallow inset dimensions
- Multifunction remote control including dimmer
- Alternative manual control panel on fire
- Flame without heat setting
- Hidden heater 1000W/2000W
- Choice of two widths 1000 mm or 800 mm and either pebbles or coal fuel effect
- Wall mounted version: back box/spacer in place, wall 'footprint' (h) 570 mm x (w) 700 mm. Projection from wall 185 mm.

*Please note, inset dimensions (cut hole size) when back box/spacer is removed



▲ 1000 corello bronze standard version, wall mounted



▲ 1000 corello graphite standard version with optional extra driftwood, wall mounted

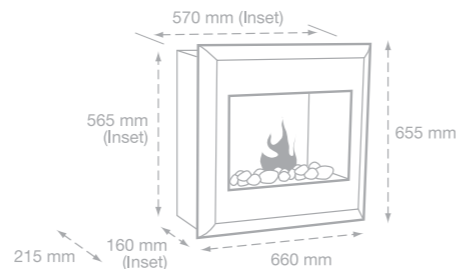


- ▲ landscape in silver/silver
- ▶ landscape in bronze/brass
- ▶▶ landscape in black/black

landscape fire

- Multifunction remote control including dimmer
- Manual override control panel
- Hidden heater technology 750W/1500W
- Flame without heat setting
- Ease of access for bulb change
- Glass screen, and aluminium extruded trim (choice of colours)
- Choice of fuel effects, either pebbles as standard or driftwood as a cost option

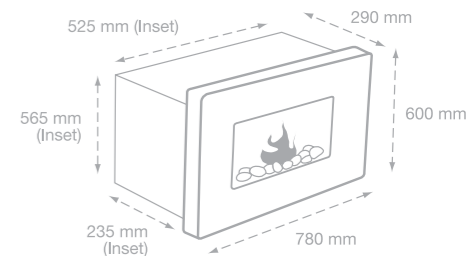
Inset dimensions = cut hole size.



passion fire

- Grey tinted and toughened mirrored glass frame, easily cleaned and scratch resistant, open fuel effect area
- Multifunction remote control including dimmer
- Hidden heater 1000W/2000W
- Flame without heat setting
- Choice of fuel effects, pebbles as standard, woodland log and driftwood as a cost option.

Inset dimensions = cut hole size.



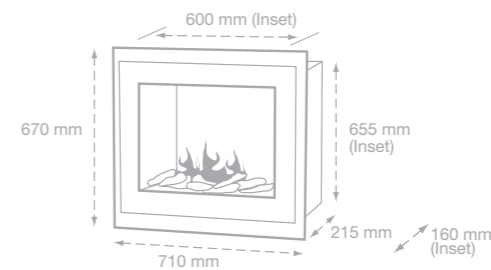


▲ hang on the wall option with white interior

odyssey fire

- Either hang on the wall (left) or fully inset hole in the wall (right)
- Multifunction remote control including dimmer
- Manual override control panel
- Choice of fire interior colours, white or amber
- Glass front screen
- Curved flame effect
- Flame without heat setting
- Hidden heater, 1000W/2000W
- Choice of fuel effects either pebbles as standard, woodland log or driftwood as a cost option.

Inset dimensions = cut hole size.



odyssey fire hole in the wall option

Hole in the wall option with amber interior shown above (dimensions left)

Hang on the wall fire, wall 'footprint' (h) 670 mm x (w) 600 mm. Projection from wall 215 mm.

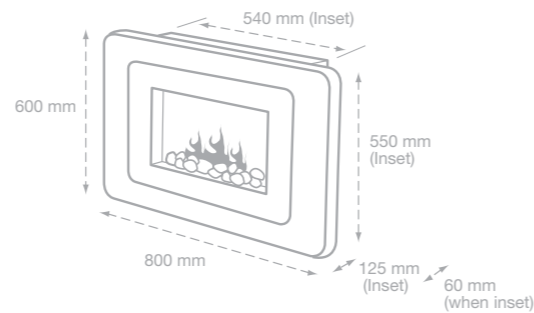


▲ pico silver/graphite, wall mounted

pico fire

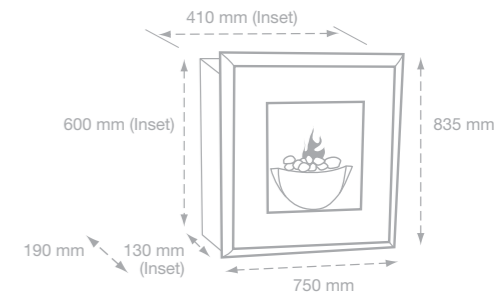
- Easy installation, surface mounted but can be installed into a hole in the wall
- Multifunction remote control including dimmer
- Hidden heater 1000W/2000W
- Choice of fuel effects, pebbles supplied, coal or driftwood is available as cost option
- Pico stone also available. Stone colour, no silver trim

*Please note, inset dimensions (cut hole size) when back box/spacer is removed



senza fire

- Easy installation, wall mountable or can be inset into wall
- Multifunction remote control including dimmer
- Flame without heat setting
- Hidden heater 750W/1500W
- Choice of fuel effects, either pebbles as standard or driftwood as a cost option.





hang on the wall fires and suites

pages 24 - 43

A simpler more flexible approach to installation is to hang the fire on a wall surface. Fires in this section feature a slim depth so as to enable minimum intrusion into the living space.

Where depth is not an issue, hang on the wall suites allow the fire to become a more dominant feature in the room, often including extra switchable lighting for effect.

With the addition of an optional plinth some models can be converted to floor standing suites see Sento page 32, Lucca page 36 and Sabatini page 38.

◀ quarenta™ fire in oak

Full details on page 26

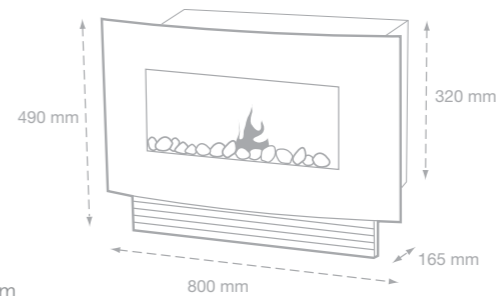


▲ quarenta curve

quarenta™ fire



- Energy saving LED lighting
- Easy installation, surface mounted
- Can be positioned below TV
- Curved bronze mirror tinted glass front panel
- 1000W/2000W fan heater hidden below fire directs heat away from fire for optimum heat effect
- Multifunction remote control including dimmer housed in front panel
- Alternative manual control panel on fire
- Choice of fuel effects, pebbles and coal supplied as standard, driftwood as a cost option
- Flame without heat setting.



Wall footprint (h) 450mm (w) 580mm



quarenta™ fire

Quarenta glass shown above as other Quarenta models but with flat glass front panel.

Dimensions on page 27.



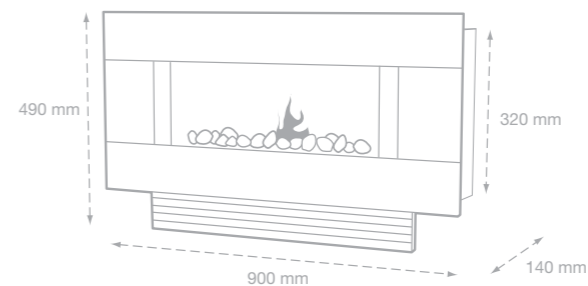
▲ quarenta oak

quarenta™

fire



- Energy saving LED lighting
- Easy installation, surface mounted
- Oak effect front panel with tinted glass
- Can be positioned below TV
- 1000W/2000W fan heater hidden below fire directs heat away from fire for optimum heat effect
- Multifunction remote control including dimmer housed in front panel
- Alternative manual control panel on fire
- Choice of fuel effects, pebbles and coal supplied as standard, driftwood as a cost option
- Flame without heat setting.



Wall footprint (h) 450mm (w) 580mm



quarenta™

fire

Top Quarenta walnut and above Quarenta stone as other Quarenta models but with walnut/ tinted glass or stone effect/tinted glass front panels.



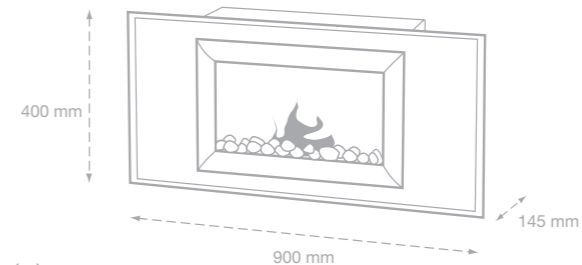
▲ izara silver trim

izara

fire



- Energy saving LED lighting
- Easy installation, surface mounted
- Can be positioned below TV
- Flat glass screen with 'frame within a frame'
- Centrifugal fans give a choice of 750W/1500W
- Multifunction remote control including double dimmers for main lighting and side lights
- Coloured filters add extra variation
- Choice of fuel effects, pebbles and coal supplied as standard, driftwood as a cost option
- Flame without heat setting.



Wall footprint (h) 315mm (w) 445mm



▲ izara frame



▲ izara silver trim with red side filters

izara

fire

Side lights and flame effects can be coloured to change mood.

Four sets of coloured filters held in fire.

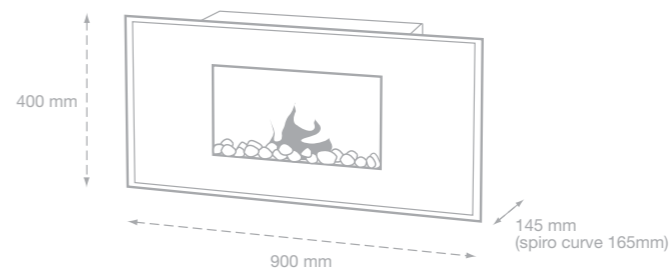


▲ spiro walnut

spiro™ fire



- Energy saving LED lighting
- Easy installation, surface mounted
- Can be positioned below TV
- Centrifugal fans give a choice of 750W/1500W
- Multifunction remote control including double dimmers for main lighting and side lights
- Coloured filters add extra variation
- Choice of fuel effects, pebbles and coal supplied as standard, driftwood as a cost option
- Flame without heat setting.



Wall footprint (h) 315mm (w) 445mm



▲ spiro stone



▲ spiro oak

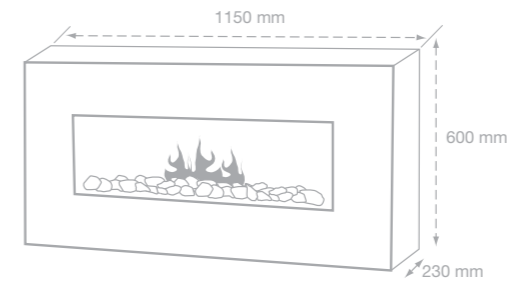


▲ spiro curve



sento suite

- Easy installation wall mountable, or floor standing suite so no inset required
- Panoramic flame effect
- Pebble fuel bed
- Multifunction remote control including dimmer
- Internal manual override control panel
- Flame without heat setting
- 1000/2000W hidden heater
- Driftwood available as a cost option.



sento base plinth cost option

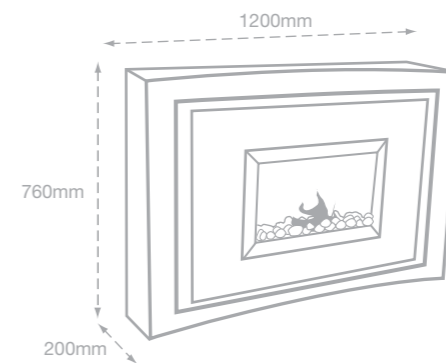
Creates free standing fire suite.
(h) 700 mm (w) 1200 mm (d) 260 mm.



estrada suite



- Energy saving LED lights
- Easy installation no inset required
- Flat glass screen, open fuel bed
- Hidden heater 1000W/2000W
- Multi function remote control with double dimmers for main lighting and side lights
- Coloured filters add extra variation
- Alternative manual control panel on fire
- Choice of fuel effects, pebbles as standard or driftwood as a cost option
- Flame without heat setting
- Surround colour: Portland.



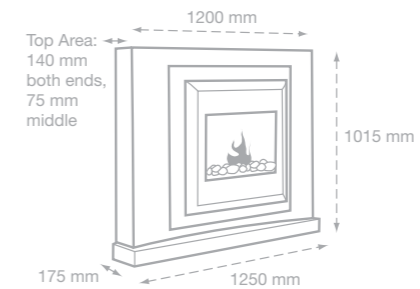
Wall footprint (h) 670mm (w) 700mm



▲ shown with plinth (cost option)

lucca suite

- Easy installation, no inset required. Can be floor standing with lightweight wall anchors (with optional floor plinth)
- Single socket can serve fire and separately switched side lights
- Glass screen, and aluminium extruded trim (choice of colours see landscape fire page 16)
- Hidden heater 750W/1500W
- Multifunction remote control with dimmer
- Manual override control panel
- Choice of fuel effects, either pebbles as standard or driftwood as a cost option
- Surround colour: Portland.



lucca hang on the wall option

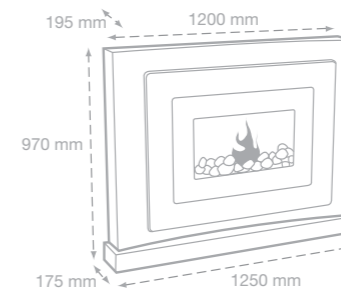
Standard Lucca Suite dimensions: (h) 940 mm
x (w) 1200 mm x (d) 215 mm



sabatini suite

LED from Sep '08

- Easy installation, wall surface mounted
- Alternative as floor standing with use of plinth accessory (must be attached to wall with lightweight wall anchors)
- Single socket can serve fire and separately switched side lights
- Multifunction remote control including dimmer
- Alternative manual control panel on fire
- Flame without heat setting
- Hidden heater 1000W/2000W
- Choice of fuel effects, pebbles or coal as standard or driftwood as a cost option
- Surround colour: Portland.



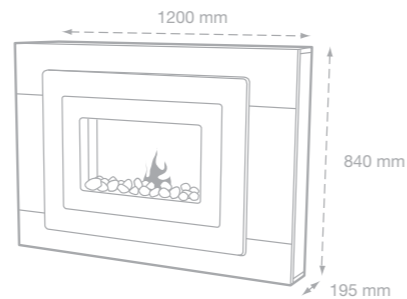
sabatini hang on the wall option

Standard sabatini suite dimensions: (h) 890mm
x (w) 1200mm x (d) 195mm



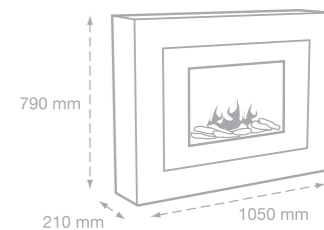
dima suite

- Easy installation, wall surface mounted
- Can be converted to floor standing suite with cost option plinth as for sabatini suite page 38
- Multifunction remote control including dimmer
- Flame without heat setting
- Hidden heater, 1000W/2000W
- Pebbles or coal supplied as standard or driftwood as a cost option
- Surround colour: Portland.



aspiration suite

- Easy installation, simple wall brackets to surface mount suite
- Bright mirror front panel
- Curved flame picture
- Multifunction remote control including dimmer
- Hidden heater 1000W/2000W
- Flame without heat setting
- Choice of fuel effects either pebbles as standard, driftwood as a cost option
- Simple lamp change, no tools needed
- Surround colour: Portland.



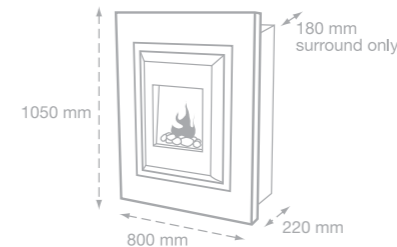
▲ driftwood shown in place of standard pebbles



▲ picasso suite with silver/silver portrait fire

picasso suite

- Easy installation, simple wall brackets to surface mount suite
- Single socket can serve fire and separately switched side lights
- Glass screen, and aluminium extruded trim (choice of colours)
- Hidden heater 750W/1500W
- Flame without heat setting
- Multifunction remote control with dimmer
- Choice of fuel effects, either pebbles as standard or driftwood as a cost option
- Surround colour: Portland.



portrait

fire

Hole in the wall fire also available separately.
Black/black, bronze/brass or silver/silver.

Fire dimensions: (h) 655 mm x (w) 485 mm
x (d) 210 mm.

Inset dimensions (cut hole size):
(h) 565 mm x (w) 390 mm x (d) 160 mm.



Floor standing suites and 'inset' fires pages 46 - 93

The more traditional format for a fireplace, the floor standing suite, is a Flamerite® strength. Freestanding ready to fit, these suites need merely power supply and consideration for skirting boards. Many suites display the standard inset fire - classically 16" x 22" portrait format. Some feature more contemporary fires, to blend more modern style with traditional location.

Individual inset fires are found at the end of this section.

◀ **luminoso suite**

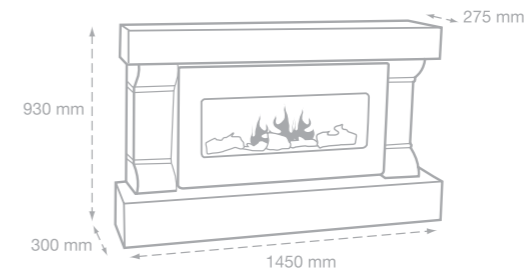
Full details on page 48



▲ sans sino suite featuring 'omni' glass fire. Available with log or pebble fuel bed

sans sino suite

- Easy installation, floor standing so no inset required
- Separately switchable downlights in suite
- Unique switchable fuel bed/log flicker
- Panoramic flame effect for maximum impact
- Multifunction remote control including double dimmer for flames and fuel bed
- Internal manual override control panel
- Flame without heat setting
- Hidden heater 1000W/2000W
- Log or pebble fuel bed
- Surround colour: Portland.



sans sino with omni argento fire

Available with log or pebble fuel bed

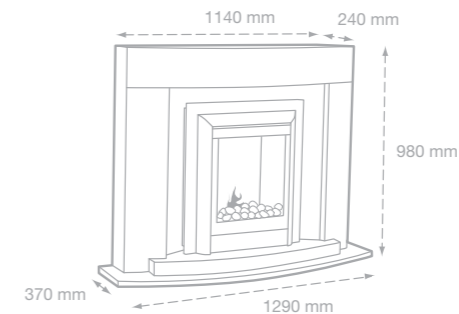


▲ luminoso suite with silver trim and pebbles (brass trim shown opposite)

luminoso suite



- Energy saving LED light on fire and suite
- Easy installation, no inset required
- Bronze glass mirror front, minimalist style
- Silver or brass trim
- Multifunction remote control including separate dimmer controls for fire and suite lighting
- Slim vent heater 750W/1500W
- Choice of fuel pebbles or coal as standard or driftwood as cost option
- Flame without heat setting
- Surround colour: Portland.



▲ brass asteria with pebbles

asteria



inset fire

Available with silver or brass trim and with pebbles or coal. See page 86.

Fire dimensions: (h) 605mm x (w) 490mm x (d) 120mm

Inset dimensions (cuthole size): (h) 560mm x (w) 400mm X (d) 82mm

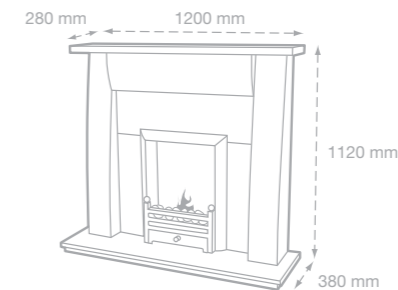


▲ dakara suite with silver trim and fret (brass trim shown opposite)

dakara suite



- Energy saving LED light on fire
- Easy installation, no inset required
- Black/clear glass front
- Slim vent heater 750W/1500W
- Freestanding fret plus trim in silver or brass
- Multifunction remote control including dimmer
- Choice of fuel pebbles or coal as standard or driftwood as cost option
- Flame without heat setting
- Surround colour: Limestone
- Hearth and back panel: Sparkle black.



▲ brass chima with pebbles

chima

inset fire



Available with silver or brass trim and fret, pebbles or coal. See page 88

Fire dimensions: (h) 605mm x (w) 490mm x (d) 120mm

Inset dimensions (cuthole size): (h) 560mm x (w) 400mm X (d) 82mm

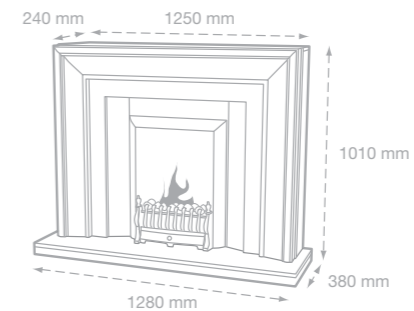


▲ zimina suite with brass trim and fret (silver trim shown opposite)

zimina suite



- Energy saving LED light on fire and suite
- Easy installation, no inset required
- Black/clear glass front
- Slim vent heater 750W/1500W
- Freestanding fret plus trim in silver or brass
- Multifunction remote control including dimmer
- Separate dimmer controls for fire and suite lighting
- Choice of fuel pebbles or coal as standard or driftwood as cost option
- Flame without heat setting
- Surround colour: Portland.



▲ silver asuma with coal

asuma

inset fire

Available with silver or brass trim and fret, pebbles or coal. See page 87.

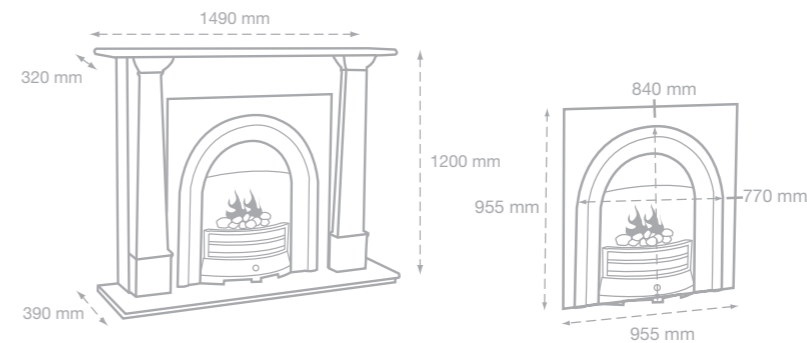
Fire dimensions: (h) 605mm x (w) 490mm x (d) 120mm.

Inset dimensions (cut hole size): (h) 560mm x (w) 400mm X (d) 82mm.



brontë suite

- Easy installation, floor standing so no inset required
- Multifunction remote control including double dimmer for flames and fuel bed
- Unique switchable fuel effect flicker
- Internal manual override and remote storage behind ashpan cover
- Flame without heat setting
- Hidden heater 1000W/2000W
- Available with either coal or log fuel effects
- Surround colour: Limestone
- Hearth: Sparkle Black.



tennyson

cast inset fire

LED from Sep '08

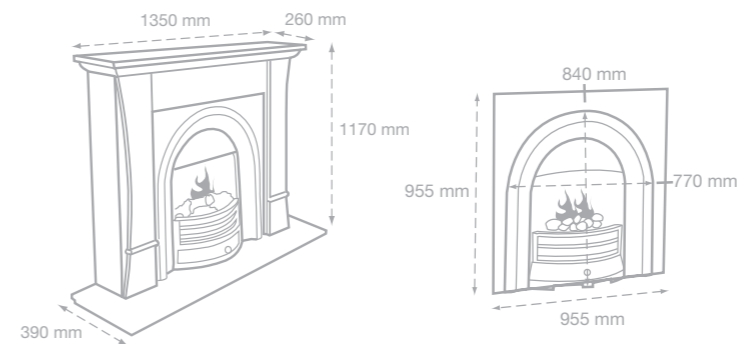
Cast back and fire available separately for addition of over mantle and hearth to suit. Specification as Brontë and Austen suites.

Inset dimensions (cut hole size):
(h) 800 mm (plus hearth) x (w) 500 mm x
(d) 165 mm. Back panel is 5mm thick.



austen suite

- Easy installation, floor standing so no inset required
- Multifunction remote control including double dimmer for flames and fuel bed
- Unique switchable fuel effect flicker
- Internal manual override and remote storage behind ashpan cover
- Flame without heat setting
- Hidden heater 1000W/2000W
- Available with either coal or log fuel effects
- Surround: Oak finish
- Hearth: Sparkle black.



tennyson LED from Sep '08 cast inset fire

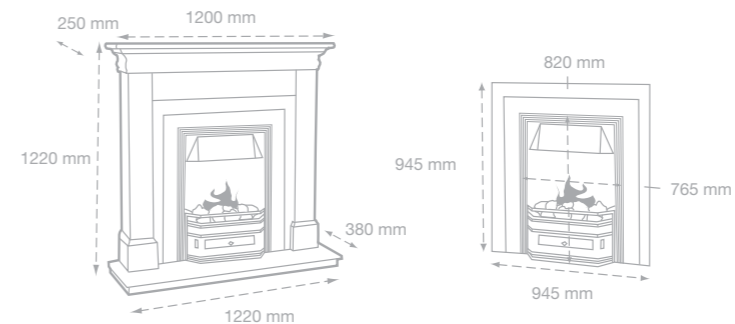
Cast back and fire available separately for addition of over mantle and hearth to suit. Specification as Brontë and Austen suites.

Inset dimensions (cut hole size):
(h) 800 mm (plus hearth) x (w) 500 mm x
(d) 165 mm. Back panel is 5mm thick.



eliot suite

- Easy installation, floor standing so no inset required
- Multifunction remote control including double dimmer for flames and fuel bed
- Unique switchable fuel effect flicker
- Internal manual override and remote storage behind ashpan cover
- Flame without heat setting
- Hidden heater 1000W/2000W
- Available with either coal or log fuel effects
- Surround colour: Limestone
- Hearth: Sparkle Black.



keats cast inset fire

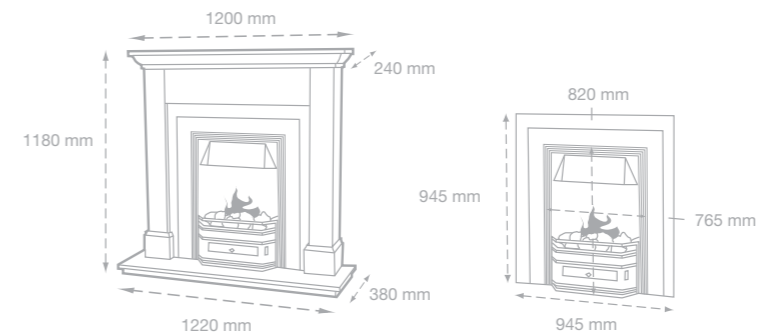
Cast back and fire available separately for addition of over mantle and hearth to suit. Specification as Eliot and Gaskell suites.

Inset dimensions (cut hole size):
(h) 800 mm (plus hearth) x (w) 700 mm x
(d) 160 mm. Back panel is 5mm thick.



gaskell suite

- Easy installation, floor standing so no inset required
- Multifunction remote control including double dimmer for flames and fuel bed
- Unique switchable fuel effect flicker
- Internal manual override and remote storage behind ashpan cover
- Flame without heat setting
- Hidden heater 1000W/2000W
- Available with either coal or log fuel effects
- Surround: Oak finish
- Hearth: Sparkle black.



keats cast inset fire

Cast back and fire available separately for addition of over mantle and hearth to suit. Specification as Eliot and Gaskell suites.

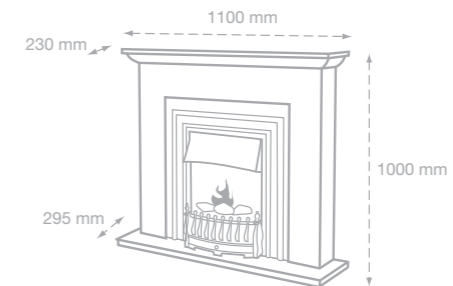
Inset dimensions (cut hole size):
(h) 800 mm (plus hearth) x (w) 700 mm x
(d) 160 mm. Back panel is 5mm thick.



▲ oak/stone effect version with log effect fire and silver fret

mimosa suite

- Easy installation, floor standing so no inset required
- Multifunction remote control including dimmer
- Flame without heat setting
- 1000W/2000W heat selection
- Choice of oak or mahogany effect finishes
- Choice of black or stone effect hearth and back panel
- Choice of coal or log fuel effect, brass or silver fret.



▲ oak/black effect version with coal fire/brass fret

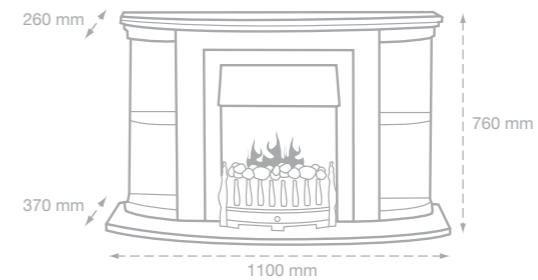


▲ mahogany/stone effect version with brass fret



mulberry suite

- Easy installation, floor standing so no inset required
- Switchable feature side lights
- Acrylic shelves
- Multifunction remote control including dimmer
- Flame without heat setting
- 1000W/2000W heat selection
- Choice of oak or mahogany effect finishes
- Brass frame and fret
- Choice of coal or log fuel effect.

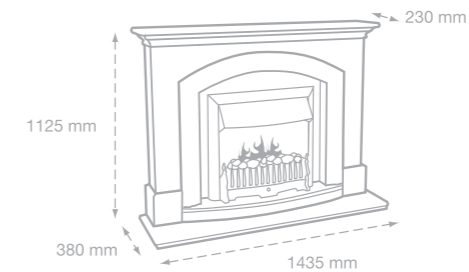




▲ brass fire option with coal fuel effect

opera suite

- Easy installation, floor standing so no inset required
- Multifunction remote control including dimmer,
- 1000W/2000W heat selection
- Flame without heat setting
- Choice of fuel effects, coal or log
- Continental width fire for visual impact
- Choice of brass or silver trim and freestanding fret
- Surround colour: Marfil.



▲ silver fire option with log fuel effect

operetta inset fire

As featured in opera suite. Silver and black or brass and black. Also spacer available to avoid inseting fire.

Fire dimensions:
(h) 610 mm x (w) 660 mm x (d) 200 mm.

Inset dimensions (cut hole size):
(h) 575 mm x (w) 570 mm x (d) 75 mm.



cascade suite

- Easy installation, floor standing so no inset required
- Multifunction remote control including dimmer
- 1000W/2000W heater, concealed under canopy
- Flame without heat setting
- "Chrome" silver, brass or black finish to Cascade fire
- Surround colour: Portland.



cascade inset fire

Available separately as inset.

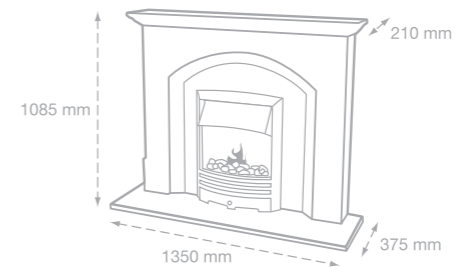
No spacer available for this fire.

Fire dimensions:

(h) 630 mm x (w) 490 mm x (d) 200 mm.

Inset dimensions (cut hole size):

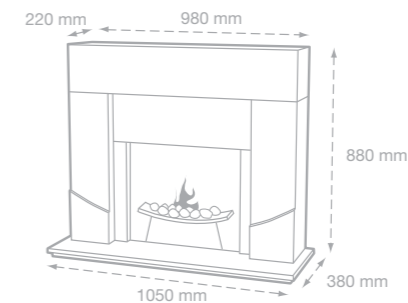
(h) 565 mm x (w) 400 mm x (d) 90 mm.





taiko suite

- Easy installation, floor standing so no inset required
- Chrome tray fire feature
- Multifunction remote control including dimmer
- Flame without heat setting
- Hidden heater 750W/1500W
- Choice of fuel effects, either pebbles as standard, coal or driftwood as a cost option
- Surround colour: Portland.



timpani

inset fire

“22 inch” wide inset fire available with aluminium silver frame. Shown with optional coal (pebbles standard). Specifications as on taiko suite.

Fire dimensions:

(h) 625 mm x (w) 705 mm x (d) 170 mm

Inset dimensions:

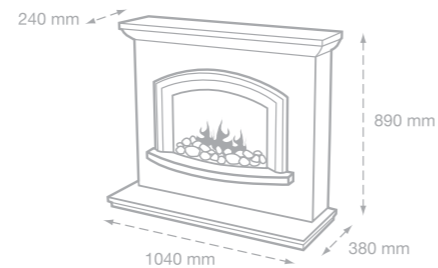
(h) 560 mm x (w) 510 mm x (d) 120 mm



▲ additional driftwood shown with standard pebbles

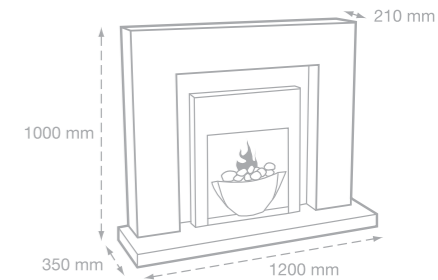
mercica suite

- Easy installation, floor standing so no inset required
- Multifunction remote control including dimmer
- Flame without heat setting
- Hidden heater, 1000W/2000W
- Curved flame picture
- Choice of fuel effects, either pebbles as standard or driftwood as a cost option
- Simple lamp change, no tools needed
- Surround colour: Portland.



cadenza suite

- Easy installation, floor standing so no inset required
- Multifunction remote control including dimmer
- Flame without heat setting
- Hidden heater technology, 750W/1500W
- Pebbles supplied as standard or driftwood as a cost option
- Surround colour: Limestone
- Inset fire available separately as Sonata page 89.

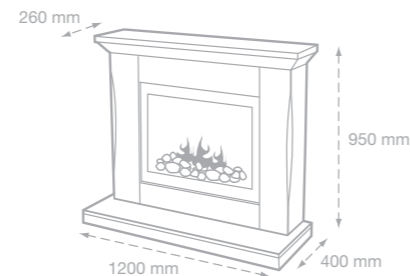




▲ additional driftwood shown with standard pebbles

medusa suite

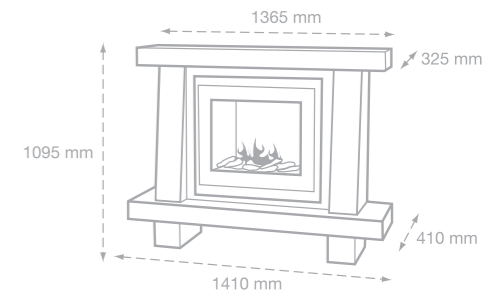
- Easy installation, floor standing so no inset required
- Multifunction remote control including dimmer
- Flame without heat setting
- Hidden heater, 1000W/2000W
- Curved flame picture
- Choice of fuel effects, either pebbles as standard or driftwood as a cost option
- Simple lamp change, no tools needed
- Surround colour: Portland.



▲ amber interior version with driftwood effect

odyssey suite

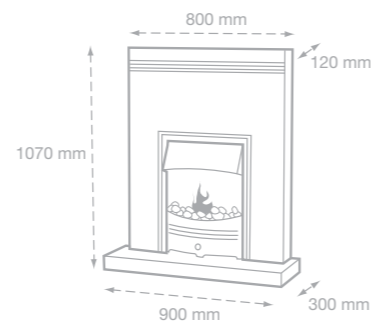
- Easy installation, floor standing so no inset required
- Multifunction remote control including dimmer
- Manual override control panel
- Hidden heater 1000W/2000W
- Flame without heat setting
- Glass front screen
- Choice of fuel effects, either pebbles as standard, woodland log or driftwood as a cost option
- Choice of two fire interior colours white or amber
- Surround colour: Portland.





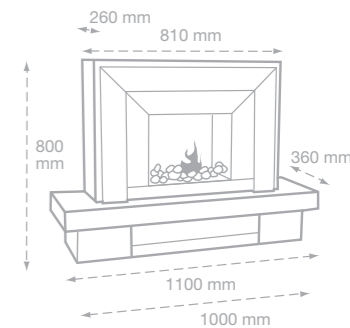
kora suite

- Easy installation, floor standing so no inset required
- Concealed controls and fan heater
- 2000W output
- Choice of fuel effects, either pebbles as standard or driftwood as a cost option
- Simple lamp change, no tools needed
- Flame without heat setting
- Surround colour: Limestone.



lazio suite

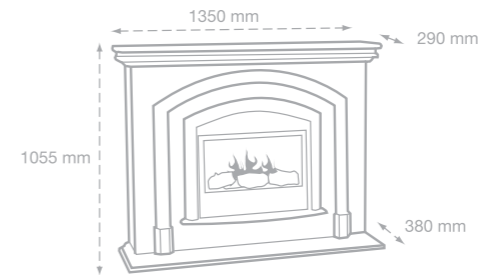
- Easy installation, floor standing so no inset required
- Multifunction remote control including dimmer
- Curved flame picture
- Hidden heater 750W or 1500W
- Choice of fuel effects, either pebbles as standard or driftwood as a cost option
- Flame without heat setting
- Surround colour: Portland.





manhattan suite

- Easy installation, floor standing so no inset required
- Multifunction remote control with dimmer
- Manual override control panel
- 1000W/2000W heat selection
- Flame without heat setting
- Ease of access for bulb change
- Log fuel effect
- Surround colour: Limestone.



atlanta hole in the wall fire

Fire dimensions:

(h) 525 mm x (w) 635 mm x (d) 240 mm.

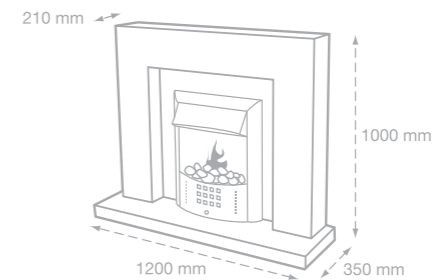
Insert dimensions (cut hole size):

(h) 500mm x (w) 530mm x (d) 180mm.



miami suite

- Easy installation, floor standing so no inset required
- Multifunction remote control including dimmer
- 1000W/2000W heat selection
- Standard with silver Miami fire but can be specified with other Flamerite® inset fires
- Flame without heat setting
- Choice of fuel effects, either pebbles as standard, driftwood or marbles as a cost option
- Simple lamp change, no tools needed
- Surround colour: Limestone.



miami inset fire

Spacer available to avoid inseting fire.

Fire dimensions:

(h) 610 mm x (w) 495 mm x (d) 225 mm.

Inset dimensions (cut hole size):

(h) 560 mm x (w) 400 mm x (d) 70 mm.



▲ neptune suite shown with black mariner fire with driftwood cost option

neptune suite

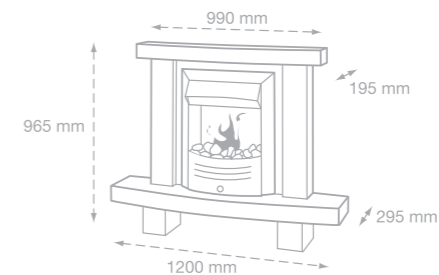
- Easy installation, floor standing so no inset required
- Multifunction remote control including dimmer
- 1000W/2000W heat selection
- Standard with silver Mariner fire but can be specified with other Flamerite® inset fires
- Flame without heat setting
- Choice of fuel effects, either pebbles as standard, driftwood or marbles as a cost option
- Simple lamp change, no tools needed
- Surround colour: Portland.



▲ mariner in brass



▲ mariner in silver



mariner

inset fire

Contemporary inset fire specification as on Neptune suite. Available in silver black or brass.

Spacer available to avoid inseting fire.

Fire dimensions:

(h) 525 mm x (w) 635 mm x (d) 240 mm.

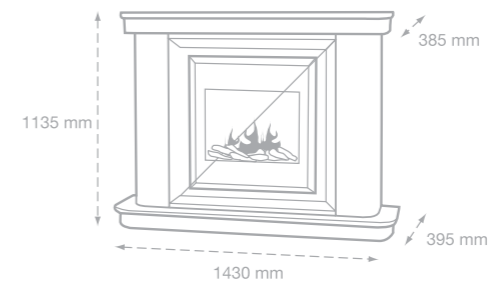
Insert dimensions (cut hole size):

(h) 500mm x (w) 530mm x (d) 180mm.



arcadia suite

- Easy installation, floor standing so no inset required
- Multifunction remote control including dimmer
- Flame without heat setting
- Hidden heater 750W/1500W
- Ease of access for bulb change
- Choice of fuel effects, either pebbles as standard, woodland log or driftwood as a cost option
- Amber colour flames set behind glass panel
- Curved flame effect
- Choice of frame colour
- Surround colour: Portland.



glazer hole in the wall fire

Available separately.
Brass/black, silver black or black/black.

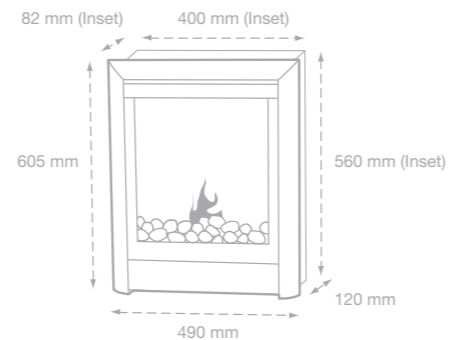
Fire dimensions:
(h) 740 mm x (w) 690 mm x (d) 260 mm.

Inset dimensions (cut hole size):
(h) 680 mm x (w) 605 mm x (d) 220 mm.



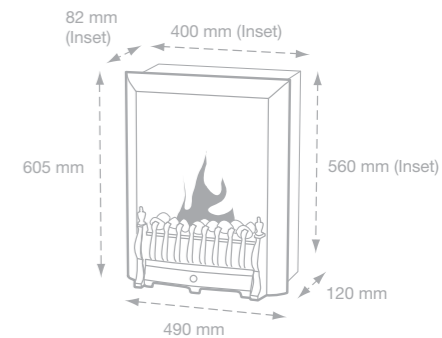
asteria inset fire

- Energy saving LED lights
- Bronze glass mirror front, minimalist style
- Silver or brass trim
- Multifunction remote control including dimmer
- Slim vent heater 750W/1500W
- Choice of fuel pebbles or coal as standard or driftwood as cost option
- Flame without heat setting
- Spacer available to avoid need to inset



asuma inset fire

- Energy saving LED lights
- Black/clear glass front
- Slim vent heater 750W/1500W
- Freestanding fret plus trim in silver or brass
- Multifunction remote control including dimmer
- Choice of fuel pebbles or coal as standard or driftwood as cost option
- Flame without heat setting
- Spacer available to avoid need to inset

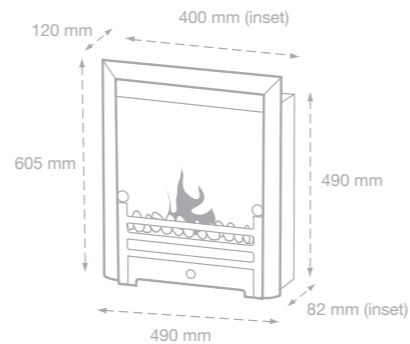




chima inset fire



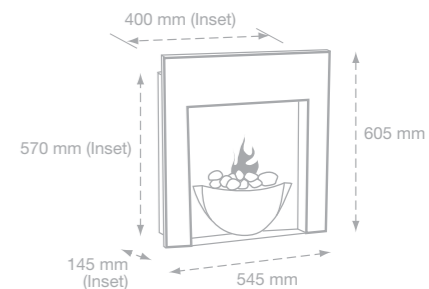
- Energy saving LED lights
- Bronze glass mirror front, minimalist style
- Silver or brass trim
- Multifunction remote control including dimmer
- Slim vent heater 750W/1500W
- Choice of fuel pebbles or coal as standard or driftwood as cost option
- Flame without heat setting
- Spacer available to avoid need to inset



sonata inset fire



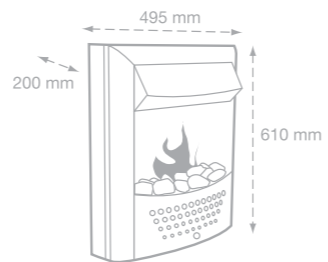
- Silver bowl feature
- Multifunction remote control including dimmer
- Flame without heat setting
- Hidden heater 750W/1500W
- Choice of fuel pebbles or coal as standard or driftwood as cost option





burano fire

- Easy to install with no inset required
- Curved flame effect
- Maple wood frame and spacer compliments contemporary silver fire
- Multifunction remote control including dimmer
- 1000W/2000W heater
- Supplied with pebbles as standard, marbles and driftwood as a cost option.

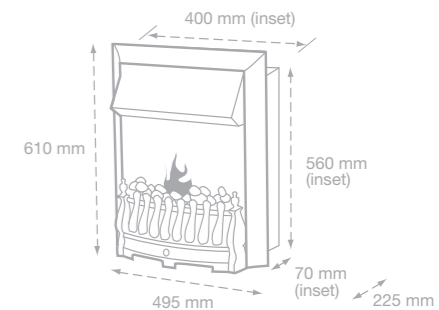


stanford inset fire

- Inset fires with ultra slim 70 mm inset
- Curved flame effect
- Multifunction remote control including dimmer
- 1000W/2000W heater, concealed under deep hinged canopy
- Choice of fuel effects, coal or log
- Wall spacer available to avoid inset
- Concave trim and fixed fret in brass or silver
- Straight hood line.



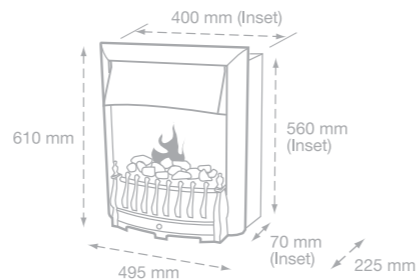
- ▲ stanford in silver
- ▶ stanford in brass





oregan inset fire

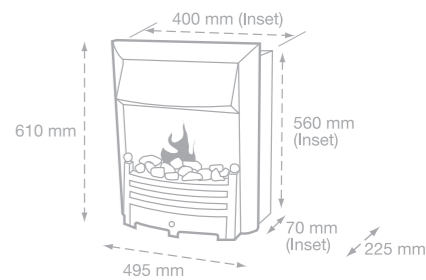
- Inset fire with ultra slim 70 mm inset
- Curved flame effect
- Multifunction remote control including dimmer
- 1000W/2000W heater concealed under deep hood line
- Choice of fuel effects, coal or log
- Wall spacer available to avoid inset
- Convex trim and fixed fret in brass or silver
- Concave hood line.



berkeley inset fire

- Inset fires with ultra slim 70 mm inset
- Curved flame effect
- Multifunction remote control including dimmer
- 1000W/2000W heater, concealed under deep hinged canopy
- Choice of fuel effects, coal or log
- Wall spacer available to avoid inset
- Convex trim and fixed fret in brass or silver
- Convex hood line.

- ▲ berkeley in brass
- ▶ berkeley in chrome





| index

| | | | | | |
|------------------|-------|-----------|----------|-----------|-------|
| alto | 6-7 | estrada | 34-35 | operetta | 67 |
| arcadia | 84-85 | gaskell | 60-61 | oregan | 92 |
| aspiration | 41 | glazer | 85 | passion | 17 |
| asuma | 53,87 | keats | 59,61 | picasso | 42-43 |
| asteria | 49,86 | kora | 76 | pico | 20 |
| atlanta | 79 | landscape | 16 | portrait | 43 |
| atomic | 4-5 | lazio | 77 | quarenta | 24-27 |
| austen | 56-57 | lucca | 36-37 | sabatini | 38-39 |
| berkeley | 93 | luminoso | 48-49 | sans sino | 46-47 |
| brontë | 54-55 | manhattan | 78-79 | seno | 32-33 |
| burano | 90 | mariner | 83 | senza | 21 |
| cadenza | 73 | medusa | 74 | sonata | 89 |
| cascade | 68-69 | mercia | 72 | spiro | 30-31 |
| chima | 51,88 | miami | 80-81 | stanford | 91 |
| corello extra | 10-11 | mimosa | 62-63 | taiko | 70,71 |
| corello mirror | 12-13 | mulberry | 64-65 | tennyson | 55,57 |
| corello standard | 14-15 | neptune | 82-83 | timpani | 71 |
| dakara | 50-51 | odyssey | 18-19,75 | zimina | 52-53 |
| dima | 40 | omni | 8-9 | | |
| eliot | 58-59 | opera | 66-67 | | |

◀ spiro stone

Full details on page 31



Flamerite Fires Ltd ■ Greenhough Road ■ Lichfield ■ Staffordshire ■ WS13 7AU
Tel: 01543 251122 ■ Fax: 01543 251133 ■ Email: info@flameritefires.com

www.flameritefires.com

Flamerite Fires Limited owns the copyright and unregistered design rights in all fires in this catalogue.

In addition Flamerite Fires Limited owns the following patents and designs relating to the products:

British Patent nos. 2 377 752B, 2 386 680B, 2 418 984B

British patent applications nos. 2 431 230A, 2 438 942A

British Registered Designs nos. 3006217, 3012622

Community Registered Design nos. 000422225-0001, 000422225-0002, 000422225-0003, 000597000-0001

Flamerite is a trade mark owned by Flamerite Fires Limited and is registered as British Registration no. 2272174 and Community Registration no. 006202196.

Manufactured in the United Kingdom. All products are protected by patents, registered design and intellectual property rights. Flamerite Fires Ltd. will protect these rights.

All specifications are correct at the time of publishing but are subject to change.