



Hunter

stoves

DEFRA
APPROVED



Living Design

The heart of the home

Approved for Smoke Control Areas*

DEFRA
APPROVED



Hunter Stoves are built on over 40 years of expertise – and equipped to face the future.

Whichever model you choose, you can now enjoy better performance, more options, and a cleaner future with our DEFRA Approved Stoves.

Approved for Smoke Control Areas

If you live in a designated Smoke Control Area, the Clean Air Act prevents you from emitting smoke from your chimney – with offenders facing a fine of up to £1000. This means you're usually only able to burn authorised smokeless fuel. However, our fires are not like ordinary stoves.







They smoke so little that DEFRA has declared our stoves exempt from the Clean Air regulations.

This means you can use our approved fires to burn wood, even if you live in a Smoke Control Area. The built-in technology ensures that emissions are consistently low. We're delighted to have met the stringent demands of the Department for the Environment, Food & Rural Affairs. If you're in a Smoke Control Area, you'll be equally delighted with the results.



Contents

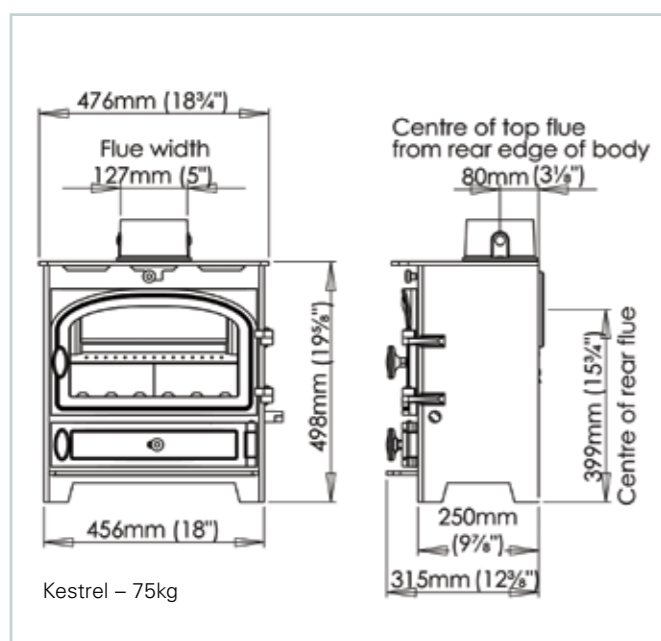
Contemporary, traditional,
double or single door?
Style your stove to suit your home.

Kestrel 5	page 2	
Compact 5	page 3	
Telford 5 Inset	page 4	
Telford 8 Inset	page 5	
Hawk 3	page 6	
Hawk 4	page 7	
Herald 4	page 8	
Herald 5 Slimline	page 9	
Herald 6	page 10	
Herald 8 Slimline	page 11	
Low Output Inglenook	page 12	
Hawk 4 Double Sided	page 13	
Herald 6 Double Sided	page 14	
Herald 6 Boiler Option	page 15	
Living Design range	page 16	
Cleanburn technology	page 17	
FAQs	page 18 - 19	
Technical Key	page 20 - 21	
Options	page 22 - 23	
Warranty	page 25	

**DEFRA
APPROVED**



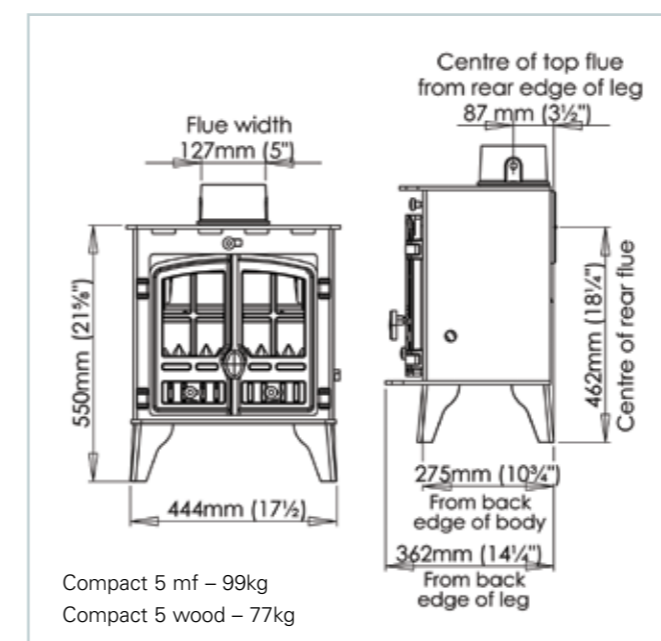
Kestrel 5



Heat Output: 3.5kW - 5.5kW
Nominal Heat Output: 4.8kW (no airbrick required)

Super-efficient and supremely stylish, the Kestrel brings an elegant warmth to your home. This stove is neatly proportioned and simply styled for a look that suits any kind of decor. The clean design is matched with a clean nature: a hot airwash keeps the glass clear, and a cool-touch handle allows you to riddle the grate swiftly. Once installed, the only impact the Kestrel 5 will have on your life is a heart-warming one. So pile it with logs or other approved fuel and bask in a surprising blaze of up to 5.5kW.

Compact 5



Heat Output: 3.5kW - 5.5kW
Nominal Heat Output: 4.7kW (no airbrick required)

The Compact 5 is perfect for small and cosy rooms. Just like its ancestors, this one has plenty of traditional charm and all the usual options. You can choose your finish (with shades to suit your room) and doors (single or double). It is compact, but no less complete: you'll enjoy a magnificent heat output range of up to 5.5kW thanks to the built-in Tripleburn technology, designed to get the best performance from your fuel. Ready to think big? Squeeze in the deceptively small Compact 5 and light up the room.

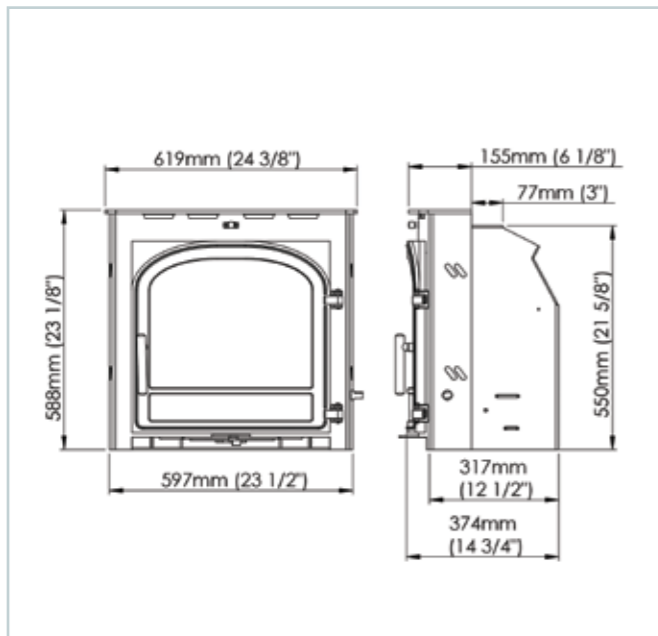


**DEFRA
APPROVED**



Telford 5 Inset

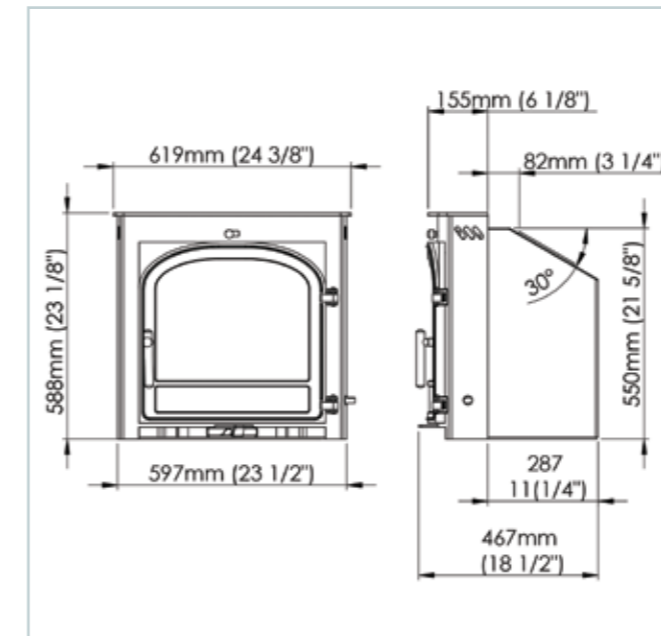
Available in June 2013



Heat Output: 3kW - 5kW
Nominal Heat Output: 4.9kW (no airbrick required)

Style and efficiency sums up the new Telford 5, it's our most economical inset yet. It not only delivers an impressive 3-5kw output but also achieves 77.1% efficiency burning wood. Installation couldn't be simpler and there's no air brick necessary. We've really put the Telford 5 through its paces in lab tests. DEFRA have recognised this with its stamp of approval meeting their stringent criteria for use in Smoke Control Areas. A bonus with all of this technical efficiency is the Telford 5 will happily provide heat right through the night until the following morning.

Telford 8 Inset



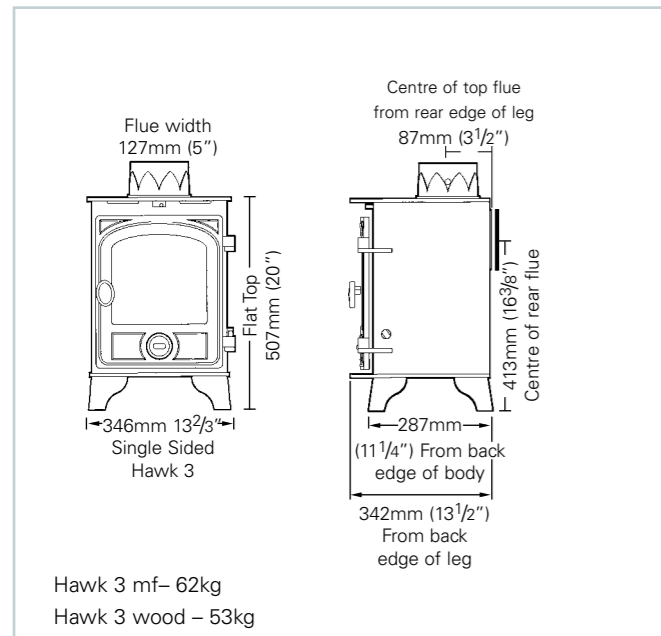
Heat Output: 5kW - 8kW
Nominal Heat Output: 6kW

The new Telford 8 Inset has retained its traditional styling but in terms of performance, it's in a whole new dimension. Rigorous testing has ensured that the Telford 8 provides optimum efficiency burning wood; the Cleanburn technology internal air flow burns wood evenly and economically. Your stove will efficiently smoulder through the night.



**Independently
Tested on
Smokeless
Fuels**

Hawk 3

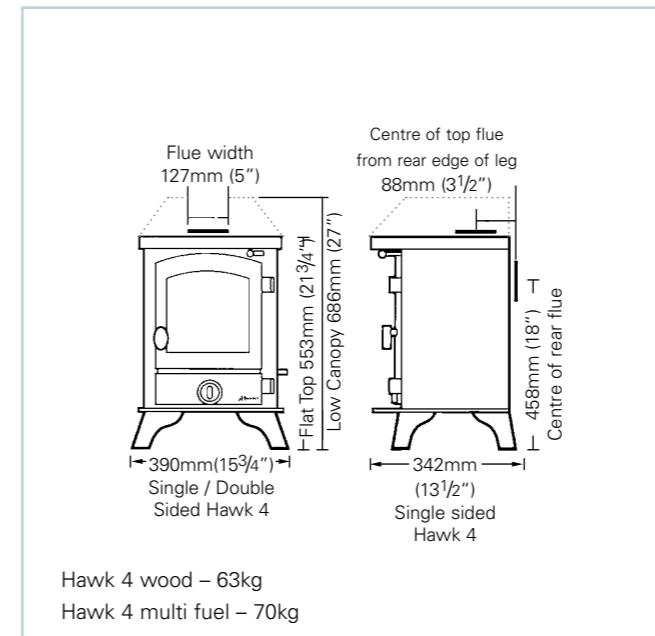


Hawk 3 flat top with traditional door

Heat Output: 2.5kW - 4.5kW
Nominal Heat Output: 4.2kW
(no airbrick required)

The Hawk is sure to surprise you. The Hawk 3 can be squeezed into the smallest places – but this neat little stove does not compromise on heat output. There's no skimping on design: with both traditional and contemporary door styles it boasts all the features of our larger stoves; including a cool-touch riddling handle and innovative Cleanburn technology. This may be our smallest model, but it is definitely feisty.

Hawk 4



Heat Output: 3.5kW - 5.5kW
Nominal Heat Output: **Wood: 4.7kW**
(no airbrick required) **Smokeless Fuel: 3.5kW**



Looking for a room heater that's economic to run without compromising on style, consider the Hawk 4. It'll deliver a generous output of 3.5-5.5kw and it's simple to install in the smallest of spaces. We've tested it extensively in our labs to make sure it can go the distance reaching 72.8% efficiency, keeping you and your family snug and cutting down on those heating bills.

Tested at over
78% Efficiency

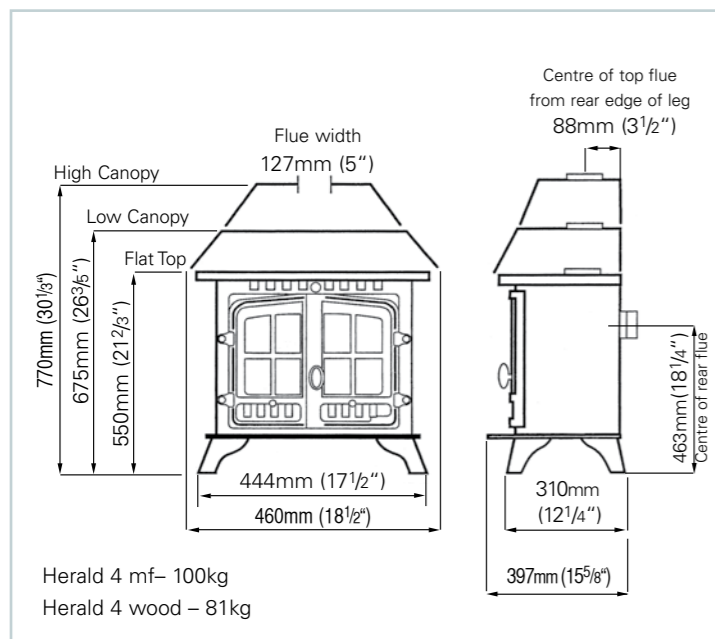
**DEFRA
APPROVED**



**DEFRA
APPROVED**



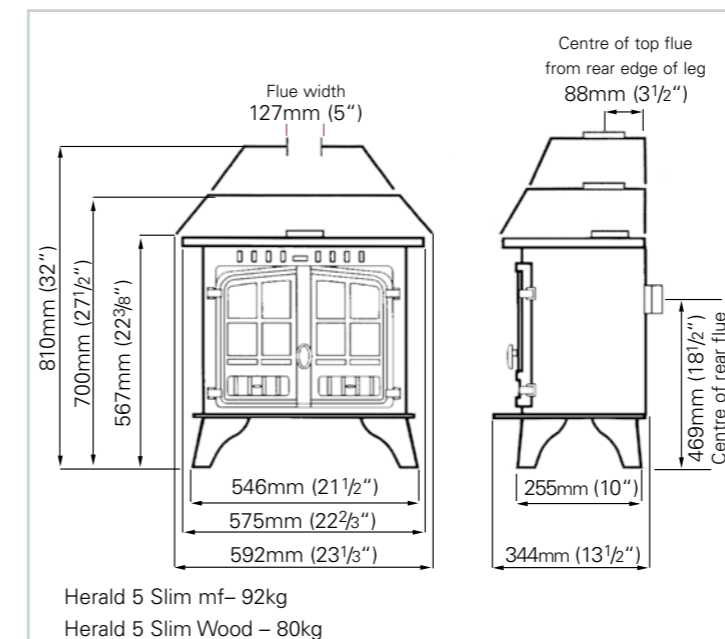
Herald 4



Heat Output: 3.5kW - 6kW
Nominal Heat Output: 4kW
(no airbrick required)

Aspiring interior decorators swoon over the elegant design, choice of coloured finishes, and stylish details including single and double door options. Yes, the Herald 4 has plenty of character, but don't be too distracted by its good looks. Choose the Herald 4 for its efficiency, its capacity, and its convenience. It takes logs or smokeless fuel and provides a heat output of 6kW – our Cleanburn technology means the heat is directed into your room, not your atmosphere. Now, what about those colours? Turn to page 23 to choose.

Herald 5 Slimline



Heat Output: 3.5kW - 6kW
Nominal Heat Output: 4.4kW
(no airbrick required)

There's something elementary about making a fire, no wonder the roaring flames become so hypnotic. The Herald 5 Slimline is designed for those shallower fireplaces, and with a 5" flue for ease of installation our designers have thought of everything. Choose your finish, your doors, or add an optional canopy; the Herald can be as traditional or as simple as you like. The Herald 5 Slimline incorporates our Cleanburn technology and a hot airwash to keep the glass clean and clear. Now it's all yours to customise for your home.

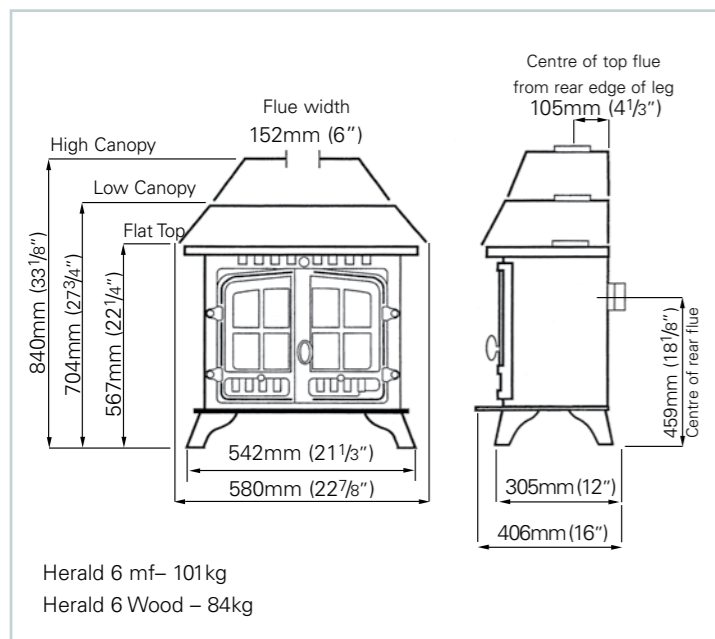
**DEFRA
APPROVED**



**DEFRA
APPROVED**



Herald 6

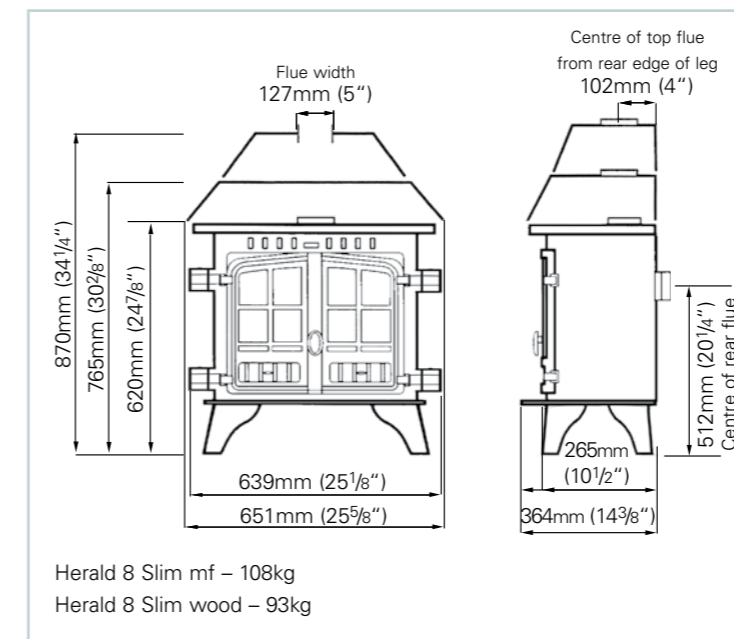


See page 15 for Boiler option



Heat Output: 4kW - 7.5kW
Fully tested at an independent laboratory on both wood and smokeless fuel.

Herald 8 Slimline



Heat Output: 4.5kW - 8kW
Nominal Heat Output: 5kW on a 5" flue (no airbrick required)



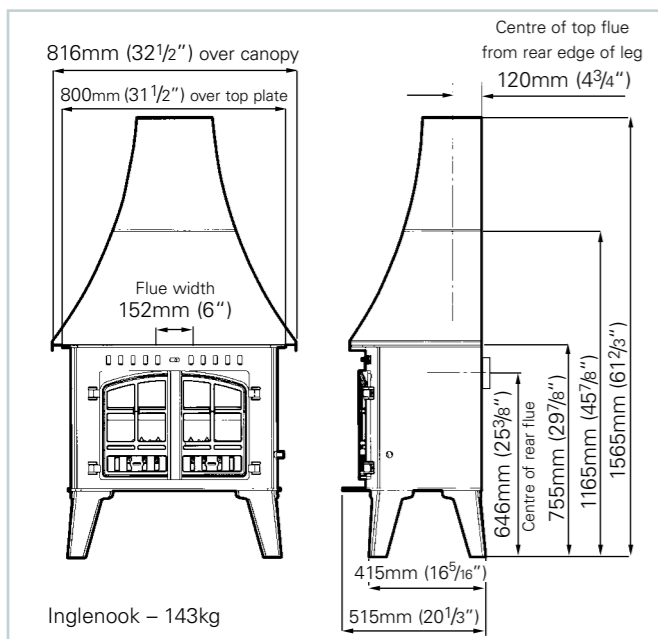
The Herald 6 is the envy of its competitors. That's because not only has it been fully independently tested on both wood and smokeless fuel, but it gives an impressive output of up to 7.5kW, which is very high for its size. The Herald 6 incorporates all the features of the Herald range and is available in plenty of options, giving you flexibility to design a stove that will suit your décor. Choosing the door is just your first step; next decide whether you'd like the optional canopy or back boiler (capable of running two radiators), and which finish will complement your room.

With its slimline design, not only do you have outstanding characteristics, this high-powered model now comes with only a 5" flue for easy installation and delivers outstanding performance. Designed with less depth, the stove can still accommodate logs of up to 19³/₄" long. The Cleanburn system ensures that the fuel gives its utmost, driving heat directly into the room. A hot airwash keeps smoke from the glass window. Delivering a heat output of up to 8kW, the multi-fuel Herald 8 Slimline is all give and no take.

Visit our website
or ask your dealer for
the Hunter Superior
Choice Catalogue
for the High Output
Inglenook Stove



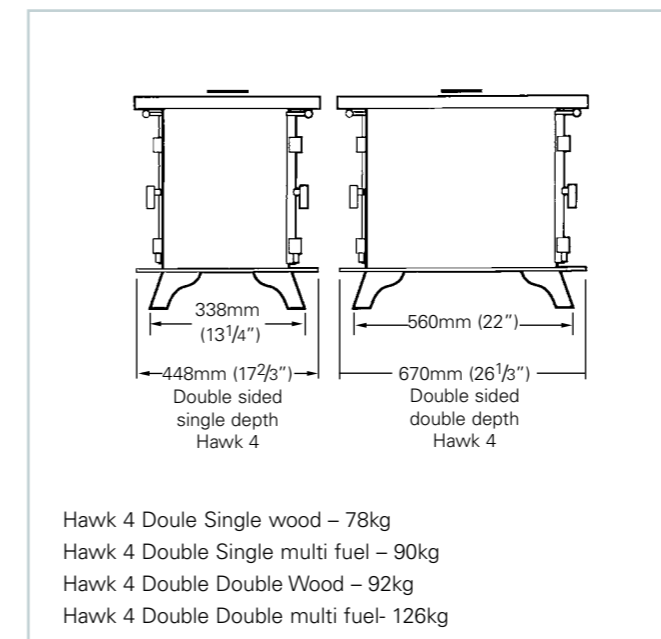
Low Output Inglenook



Heat Output: 5kW - 7.5kW
See our website www.hunterstoves.co.uk or
the Superior Choice Brochure for the High Output
Inglenook Stove

Choose the Inglenook for a traditional fire in the heart of your home. With its unique canopy options and wide footprint, this stove is as practical as it is beautiful. Producing a heat output of between 5kW and 7.5kW, it's ideal for the larger fireplace in a fairly small room and designed to burn logs and smokeless fuel cleanly and efficiently. Choose to have it with or without a canopy and select your finish from a choice of three to create your perfect fireplace. Just the place to curl up for a bedtime story.

Hawk 4 Double Sided



Heat Output: Double Single 4kW - 6kW
Heat Output: Double Double 6kW - 11kW

The Hawk 4 Double Sided stoves are perfect for drawing people in from the cold. Choose a single depth or double depth and you will be thrilled with the outputs achievable. Carrying all the features the Herald range supports: hot airwash system and our innovative Cleanburn technology the Hawk 4 Double Sided Stoves will not disappoint. Choose from either a traditional or contemporary door, multi fuel or wood burning only, the options are endless.





Heat Output: Double Single 5kW - 8kW
 Heat Output: Double Double 8kW - 13kW

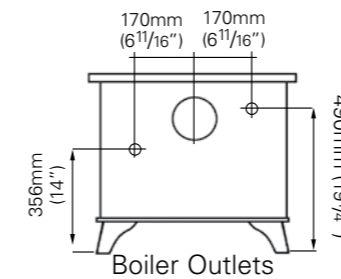
- Herald 6 Double Single mf – 145kg
- Herald 6 Double Single wood – 106kg
- Herald 6 Double Double mf – 185kg
- Herald 6 Double Double wood – 163kg

Please note that all weights are approximate and could vary slightly.



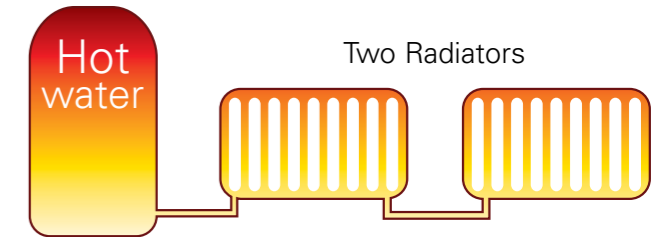
Herald 6 Boiler Option Single Sided

Stove dimensions as above.



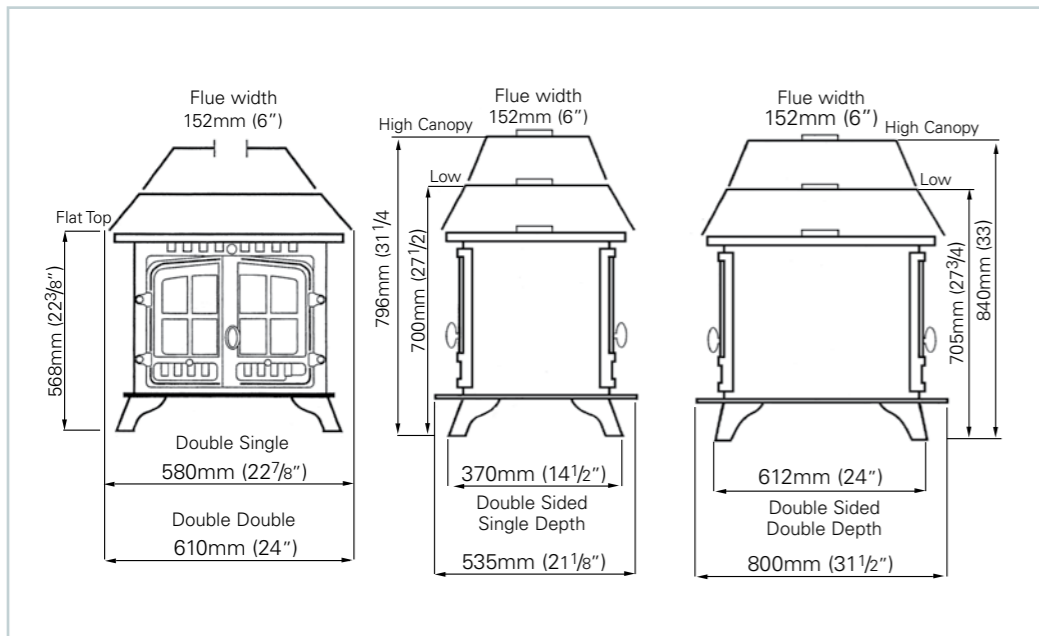
Clip in boiler provides up to 13,600BTU output to water and 1.5kw to room dependent on fuel load and installation parameters

Boiler Option Herald 6 only



NB. Please note that all weights are approximate and could vary slightly.

Herald 6 Double Sided



Open on both sides, The Herald 6 Double Sided radiates heat throughout the space, transforming your environment with flickering firelight. Choose either a single depth or double depth, giving you a larger fuel bed and even better heat output. Finally, customise your choice with a canopy, single door or double door, with or without crosses and then the colour: Midnight, Forest Green, or Cloudy Blue finish.



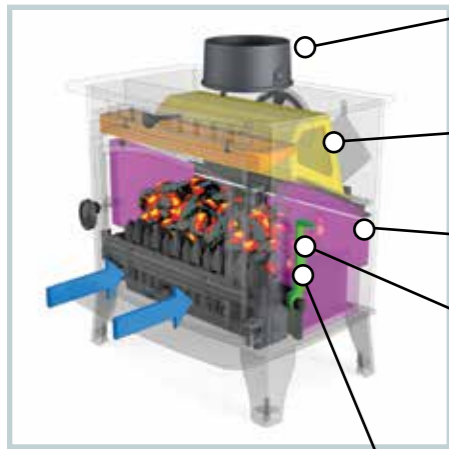
Living Design Range



Independently CE Tested and Approved
Specified stoves in the Living Design Range have been independently certified meeting the stringent CE requirement.

New Hunter Cleanburn Technology
Cleanburn technology means that more of the fuel is ignited, resulting in an increased heat output, less smoke, and a cleaner environment.

Exceptionally Efficient
Currents of air inside the stove ensure that fuel is burnt evenly and efficiently.



From Wood to Multi-Fuel with a Single Movement of the Tool
The stove's integral grate can be changed from wood to multi-fuel setting with a single movement of the cold-handled riddling tool.



Virtually all of the Hunter stoves are approved twice; for burning both wood and smokeless fuel

Safe and Efficient for Over-Night Burning
By reducing the air inflow to an absolute minimum, you can keep the fire gently smouldering overnight. Come morning, increase the air flow and the fire will return to life.

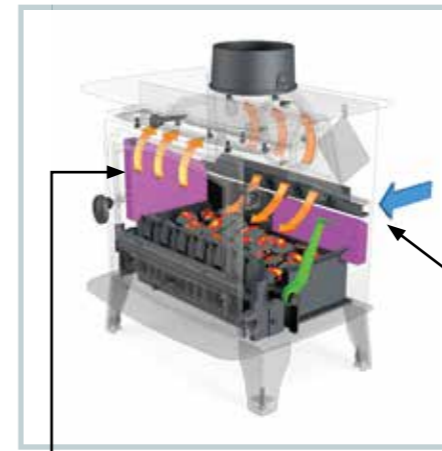
Dust Free, Safe and Easy Riddling
The riddling tool enables you to clean the grate without causing clouds of dust. Just move it back and forth with the doors closed.

Interchangeable Flue Outlets
Free standing stoves in the Living Design Range can be flued from either the top or the rear of the stove.

Easy Access for Chimney Sweeping
Every stove features a removable throat-plate, giving full and easy access for sweeping the chimney.

Internal Lining System
The new internal lining system maximises the firebox temperature, ensuring complete combustion.

Cold-handled Riddling Tool
The cold-handled riddling tool can be used for opening and closing the doors, riddling the grate, grate adjustment and easy removal of the ash-pan.



The New Hunter 'Internal Lining System' maximises the firebox temperature, ensuring complete combustion.

NB: 'Tertiary Air' is not available on the Hawk 3

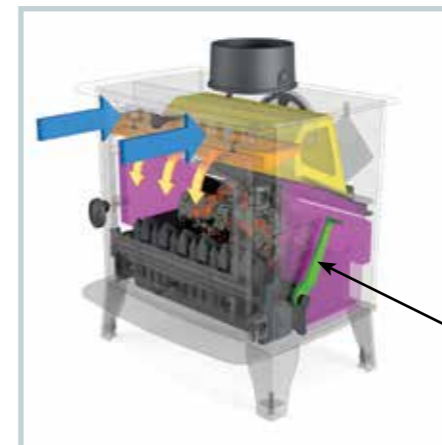
CLEANBURN, our innovative technology is not only better for the stoves, it's also better for the environment.

The idea behind Cleanburn is to maximise combustion, so that more fuel is burnt and less is turned into deposits in the stove, chimney, or atmosphere.

Our Cleanburn stoves have been proven to have lower emissions, which makes them among the most eco-friendly models on the market.

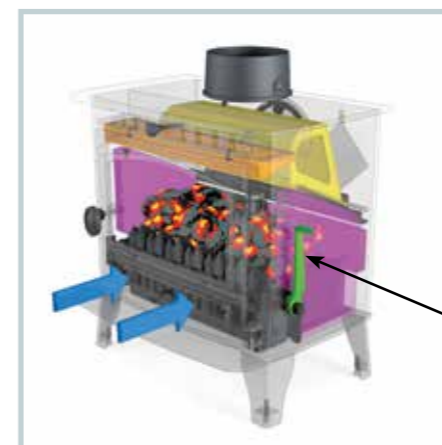


No need to scrub the glass door
Our innovative airwash draws air from the top of the stove, heats it up in the central air chamber and then sends it down behind the glass door, creating a screen between the fire and the glass. Smoke or combustion particles do not come into contact with the glass, so you don't need to clean it.



Grate in 'back' closed position for burning wood

Optimum Woodburning Conditions
Three streams of hot air ensure that fuel is burned efficiently by maximising combustion. For wood, close the grate and allow a deep bed of ash to build up - the optimum conditions for combustion.



Grate in 'forward' open position for burning solid fuel

Optimum Smokeless Fuel Burning Conditions
When you're burning smokeless fuel, just switch the grate to the open position. Air flows beneath the grate and into the heart of the fire - the optimum conditions for burning solid fuel.



DOES HUNTER SELL DIRECT TO THE PUBLIC?

No. We have a network of trusted dealers with showrooms throughout the UK and Europe. To locate your nearest dealer please visit our website www.hunterstoves.co.uk and use our Dealer Locator link on the home page.

HOW DO I GET MY NEW STOVE INSTALLED?

Installation must be carried out by a Hetas-approved or similarly qualified engineer and must be in accordance with Building Regulations. To investigate the suitability of your chimney, contact your local dealer, who will be pleased to arrange a site visit. This is very important because the condition of your chimney will determine how well your stove performs; a poor chimney system will affect its efficiency. Any existing flue must be swept and inspected before installation of the stove. All multi-fuel/wood burners must be installed in a class 1 chimney.

WHAT IF I DON'T HAVE A CHIMNEY?

There are many different flue systems available. Please contact your local dealer / flue installer, who will be able to give you personal advice.

CAN I CONNECT TWO STOVES TO ONE FLUE SYSTEM?

No. All Hunter Stoves must be individually flued.

MY STOVE HAS A 6" FLUE COLLAR; CAN I INSTALL IT ON A 5" FLUE?

No. The internal diameter of the flue must be no smaller than the appliance flue collar for its entire length. If burning wood on a stove with a 5" outlet a 6" liner must be fitted.

DOES MY CHIMNEY NEED LINING?

This is to be decided by your qualified Engineer.

DO I NEED AN AIR BRICK?

Yes if the output is above 5kw or if the air permeability rate requires it. Please see Building Regulations Document J for further information.

WHAT TYPE OF FUEL CAN I USE?

The quality of fuel will dictate the performance of your Hunter Stove.

WOODBURNING

Burn only dry, well seasoned wood. For best results, use dry wood, with a moisture content of less than 20%, which has been cut, split and stacked for at least 12 months. This is advertised as 'seasoned' wood. Burning wet or unseasoned wood will create tar deposits in the stove and chimney and won't produce a satisfactory heat output. Wood burns best on a bed of ash and it is therefore only necessary to remove surplus ash from the stove occasionally.

PEAT

Only to be used in turf or brick form, but the moisture content must be very low.

SMOKELESS FUEL BURNING

Anthracite is an approved natural smokeless fuel (not processed) but can vary greatly in quality and performance. It generally requires excellent air supply to maintain maximum performance and with experience we would suggest that it is used in conjunction with other approved manufactured smokeless fuels as per the HETAS approved list.

Please visit www.hetas.co.uk for an up to date list of approved Manufactured Smokeless Fuels suitable for closed appliances.

Only authorised smokeless fuels may be used in smoke control areas.

Warning! - Petroleum coke fuels or household waste must not be burnt on our appliances. Should any difficulties arise over fuel quality or suitability, consult your approved coal merchant or the Solid Fuel Advisory Service – Telephone 0800 600 000.

CAN I BURN WOOD ON MY MULTI-FUEL GRATE?

Yes. All Hunter multi-fuel appliances are capable of burning wood.

CAN I SWEEP MY CHIMNEY THROUGH THE STOVE?

Yes – it is possible to sweep the chimney through the stove.

A clip-in boiler installation should have an additional means of access to the flue system to allow cleaning – usually a soot door in the first length of flue pipe.

CAN I RUN MY BOILER STOVE DISCONNECTED?

No. The stove should not be fired with the boiler disconnected or empty, as this could cause serious damage to the appliance.

HOW MUCH SPACE WILL MY STOVE NEED?

With all our freestanding units it is safe to install with a clearance of 2" (50mm) either side and above the stove to NON Combustible material. However for optimum performance and heat output we recommend a clearance of 6" (150mm). Behind the stove there should be a minimum clearance of 2" (50mm) however we recommend 4" (100mm) to enable access to the Tertiary Air inlet.

For all our units the hearth should extend 300mm in front of the appliance (from the door opening)

SPARK GUARDS

Our multi-fuel stoves have been tested and CE certified by an approved independent testing facility, to the current CE legislation. In addition to this all of our stoves exceed the minimum efficiency requirements as set out by the English & Welsh Building Regulations part L. In order to achieve this, all of our stoves are tested as closed appliances and therefore must be documented accordingly. Some customers choose to run appliances with the doors open. In doing this they accept that the operating characteristics of the stove might change. This is a personal choice and it is the reason that we supply Spark Guards, as an option. If our stoves are run with the doors open then the operation of the flue, ventilation to the room and the quality of the fuel will need to be very good, in order to prevent smoke spillage into the room. Not all installations will be able to achieve this.

WHAT IS A FRONT EXTENSION

Most of the Multi Fuel Herald's have the option of using one of these. It is called, an 'Extension' because it increases the fuel load size within the firebox. Especially helpful for overnight burning. Please see the page 22 for image.

WHAT IS THE DIFFERENCE BETWEEN A WOODBURNER AND A MULTI FUEL?

A wood burner can only burn well seasoned logs, and the wood is burnt on the base of the stove. You use a shovel to clean out the ash. A multi fuel stove comes with a grate where you can burn both Smokeless fuel or well seasoned logs. There is an ash pan beneath the grate for easy removal of ash.

DO I NEED TO PURCHASE A MULTI FUEL OR WOOD CONVERSION KIT?

If you have purchased a multi fuel stove and then decide you wish to convert to a pure woodburner, you would then require a wood conversion kit. And vice versa with a multi fuel kit if you wanted to change from a wood burner to multi fuel.

WHAT IS A GATHER BOX AND WHEN IS IT NEEDED?

A gather box is for rear flue installations where space is limited. It bolts directly on to the rear of the stove in place of the collar. Please see page 22 for image.

DO I NEED A DAMPER?

If your chimney has an exceptionally good draught, it may be worth fitting a damper. This helps reduce the pull on the chimney and helps keep heat within the firebox which is then transferred into the room.

A damper also helps when burning wood over night as it slows the burn rate down and increases the burn time on the wood.

WHAT IS A NOMINAL HEAT OUTPUT?

The nominal heat output is the output achieved under specific test conditions by the test laboratory. This is normally the output at which we achieve the highest efficiency. The stoves tend to be operated with the air controls set at less than maximum and with relatively modest fuel loads. However we recognise that end users are unlikely to operate the stoves in this way and therefore we carry out internal testing to suggest a reasonable Heat Output Range that the customer should achieve without over firing the unit.

WHAT WARRANTY DO I GET ON MY STOVE?

All Hunter Stoves Authorised Dealers provide you with a standard 2 year warranty*. Hunter Stoves also come with a 5 year casting warranty* For full warranty specifications please visit

www.hunterstoves.co.uk

(*Naturally wearing consumables such as glass, bricks, baffles, log retainers etc are excluded from this warranty. **The casting warranty does not cover items such as grate parts etc)

For a list of authorised stockists please use our dealer locator which can be found on our website

www.hunterstoves.co.uk

Technical Key



	Kestrel	Telford 5 Inset	Telford 8 Inset	Hawk 3/3D	Hawk 4/4D	Hawk 4/4D Double single	Hawk 4/4D Double Double	Herald 4	Compact 5	Herald 5 Slimline	Herald 6	Herald 6 Double Single	Herald 6 Double Double	Herald 8 Slimline	Inglenook
DEFRA Approval	~	✓	~	~	~	~	~	✓	✓	✓	✓	~	~	~	~
Heat Output Range	3.5 - 5.5kW	3 - 5kW	5 - 8kW	2.5 - 4.5	3.5 - 4.6kW	4 - 6kW	6 - 11kW	3.5 - 6kW	3.5 - 5.5kW	3.5 - 6kW	4 - 7.5kW	5 - 8kW	8 - 13kW	4.5 - 8kW	5 - 7.5kW
Efficiency on wood %	76.8	77.1	75	80.5	72.8	72.7	75.4	78	76.0	74.1	75.9	n/a	n/a	72.4	83.6
Flat Top	✓	✓	✓	✓	✓	✓	✓	✓	✓	✓	✓	✓	✓	✓	✓
Low Canopy Kit	~	~	~	~	•	~	~	•	~	•	•	•	•	•	•
High Canopy Kit	~	~	~	~	~	~	~	•	~	•	•	•	•	•	•
Double door option	~	~	~	~	~	~	~	✓	✓	✓	✓	✓	✓	✓	✓
Single door option	✓	✓	✓	~	~	✓	✓	•	•	•	•	•	•	•	•
Traditional door	~	~	~	✓	✓	~	~	~	~	~	~	~	~	~	~
Contemporary 'D' door	~	~	~	•	•	~	~	~	~	~	~	~	~	~	~
Crosses	~	~	~	~	~	~	~	•	•	•	•	•	•	•	•
Multi Fuel Option (Riddling Grate)	✓	✓	✓	✓	✓	✓	✓	✓	✓	✓	✓	✓	✓	✓	✓
Wood Burning only option	~	~	~	•	•	•	•	•	•	•	•	•	•	•	~
Black knob set	✓	✓	✓	✓	✓	✓	✓	✓	✓	✓	✓	✓	✓	✓	✓
Brass Knob	~	•	•	•	•	•	•	•	•	•	•	•	•	•	•
Full Brass Set	~	•	•	~	~	~	~	•	•	•	•	•	•	•	•
Flue Damper	•	~	~	•	•	•	•	•	•	•	•	•	•	•	•
Sparkguard ²	~	~	~	~	~	~	~	•	•	•	•	•	•	•	•
Multi fuel Extention	~	~	~	•	•	•	•	•	~	•	•	•	•	•	~
Flue Gather Box	•	~	~	•	•	~	~	•	•	•	•	~	~	•	~
Coloured finish	•	•	•	•	•	•	•	•	•	•	•	•	•	•	•
Clip in Boiler Option ¹	~	~	~	~	~	~	~	~	~	~	•	~	~	~	~
Nominal kW	4.8kW	4.9kW	6kW	4.2kW	3.5- 4.7kW	5-1 ³ - 6 ⁴ kW	10.6kW	4kW	4.7kW	4.4kW	5-4 ³ - 6.5 ⁴ kW	5.5 ³ - 6.5 ⁴ kW	10.5kW	5kW	6 ³ - 7.3 ⁴ kW
Ventilation (mm ²)	~	~	~	~	~	550	3080	~	~	~	825	825	3025	0	1265
Leg lengths	1 ¹ / ₂ "- 138mm	~	~	3" - 76mm	5" - 127mm	5" - 127mm	5" - 127mm	12" - 305mm	12" - 305mm	5" - 127mm	6" - 152mm	6" - 152mm	6" - 152mm	5" - 127mm	9 ¹ / ₄ "- 235mm
Log length (approx)	15 ³ / ₄ -400mm	9 ¹ / ₄ " 235mm	10" 250mm	10" - 258mm	11" - 280mm	11" - 280mm	11" - 280mm	11" - 280mm	13" - 330mm	16" - 400mm	15" - 380mm	15" - 380mm	15" - 380mm	19 ³ / ₄ -500mm	19" - 480mm

NB. Ventilation is dependent on the permeability rating of the building.

For further details please visit:

<http://www.planningportal.gov.uk/buildingregulations/approveddocuments/partj/approved>

and download the free copy of Document J. Info about the ventilation and air permeability ratings is table 1 on page 29.

- = Defra Approved
- ✓ = standard
- = option
- ~ = not available

1. Clip in Boiler model 1.5kw to room 4.0kw (13,600btu) to water
2. Sparkguard - only available on double door options
3. Tested on Smokeless fuel
4. Tested on wood

Options



Whichever Hunter stove you choose, you have a number of options to make it perfect for your interior. Talk to your supplier about the choices available on each stove.



Optional spark guard
(Double door only)



Optional brass door knob



Optional flue gather box, for
rear flue installations and
limited space installations



Optional wood front - Hawk



Optional flue damper



Optional wood front - Herald



Optional multi-fuel
front extension for
larger fuel loads

Here's an overview of the possibilities:

FINISHES

Every stove is built in 5mm steel, but you can choose the colour finish you'd like. (please note all are matt paint finishes)

Left to Right: MIDNIGHT
(matt black),
FOREST GREEN
(subtle green with metallic tint),
CLOUDY BLUE
(grey-blue with metallic tint).



SINGLE OR DOUBLE DOOR?

Nearly all our models are available with a single door or double door. While the single door option provides a better viewing window, the double door gives a traditional appearance.



SINGLE OR DOUBLE-SIDED?

The Hawk 4 and Herald 6 can be built as double-sided stoves, which means both sides have doors. You can opt to have these in a double depth too, so the fuel bed is larger.



CANOPY?

Most models have a matching canopy which you can choose to add to your purchase. The Inglenook has a unique canopy which enhances its cottage-style look.



Please see the key on page 20 for all options available.



Advertisement

Nørresskoven Mk2



Stylish. Solid. Efficient.



Hunter Warranty



All Hunter Stoves now come with the option of a 2-5 year warranty. This is only valid if the stoves are serviced annually on the anniversary of installation.

For details of the warranty specifications please see page 18 under F.A.Q's and visit our website www.hunterstoves.co.uk for full Terms and Conditions.

Heat outputs are dependent on fuel load and installation parameters. Overnight burning is dependent on fire box size, fuel load etc. Many thanks to B D Brooks Fireplaces, BWF Humphries, Focus Fireplaces for the provision of fireplaces/photography. Hunter Stoves Limited has a policy of continuous product improvement and therefore reserves the right to change specifications and designs at any time without prior notice.

Hunter Stoves Ltd. strongly recommends that the suitability of any installation should firstly be agreed with a HETAS qualified installer or similarly competent professional, to ensure compliance with the recent changes to the Building Regulations. Hunter Stoves Ltd. will not be held responsible for any losses, however arising, from inappropriate installations by unqualified or non-competent installers. An inappropriate installation may also invalidate claims made under a manufacturer's warranty or guarantee. NB. Please note that all weights are approximate and could vary slightly.



Heat Output Range • 4kW - 6kW
Nominal Output • 4.4kW (No Air Brick required)*

Nørresskoven Mk2
Stoves are DEFRA
approved.

Though it looks like an old fashioned home-warmer, the Nørresskoven is a beast under the bonnet. This convection stove can be piled high with seasoned logs and, thanks to Tripleburn technology, you'll get the best from them every time: its heat output range is sufficient for family rooms.

The Air wash system keeps excess carbon deposits away from the glass door – so you'll not need to clean daily on hands and knees! How refreshingly modern...

A future classic

Are you planning a more classic interior?
The Nørresskoven Traditional unites centuries of stove design with future-proof technology.

Hunter Superior Choice

From the smallest to the largest, every stove has built-in features that improve its performance. For example, Cleanburn – a system designed to reduce carbon emissions from the stove. When you buy a Hunter stove, you get the full package – and a few extra surprises, too.



Cleanburn

Elegant Scandinavian style transforms your living space. A chic Cleanburn stove is the coolest way to warm up any room. On the outside, minimalist design is matched with user-friendly features. Inside, Tripleburn technology ensures that fuel is burned efficiently.



Di Lusso

Icona Futuro . . . Designed for designers, the Di Lusso R4 epitomises smooth Italian chic. It's got the trustworthy performance of a Vespa and the smooth finish of espresso crema. This sleek, flush-to-the-wall stove brings you real flames – in a modern frame.



Eco-Ideal

Eco-ideal isn't just a name – it's a statement. We believe that our British landscape is worth protecting. So we designed the eco-ideal range with significantly lower emissions than traditional multi-fuel stoves. Certified by European experts to be exempt from the Clean Air Act, every eco-ideal heater is permissible in Smoke Control areas.



Your Local Stockist

