



Hunter

stoves

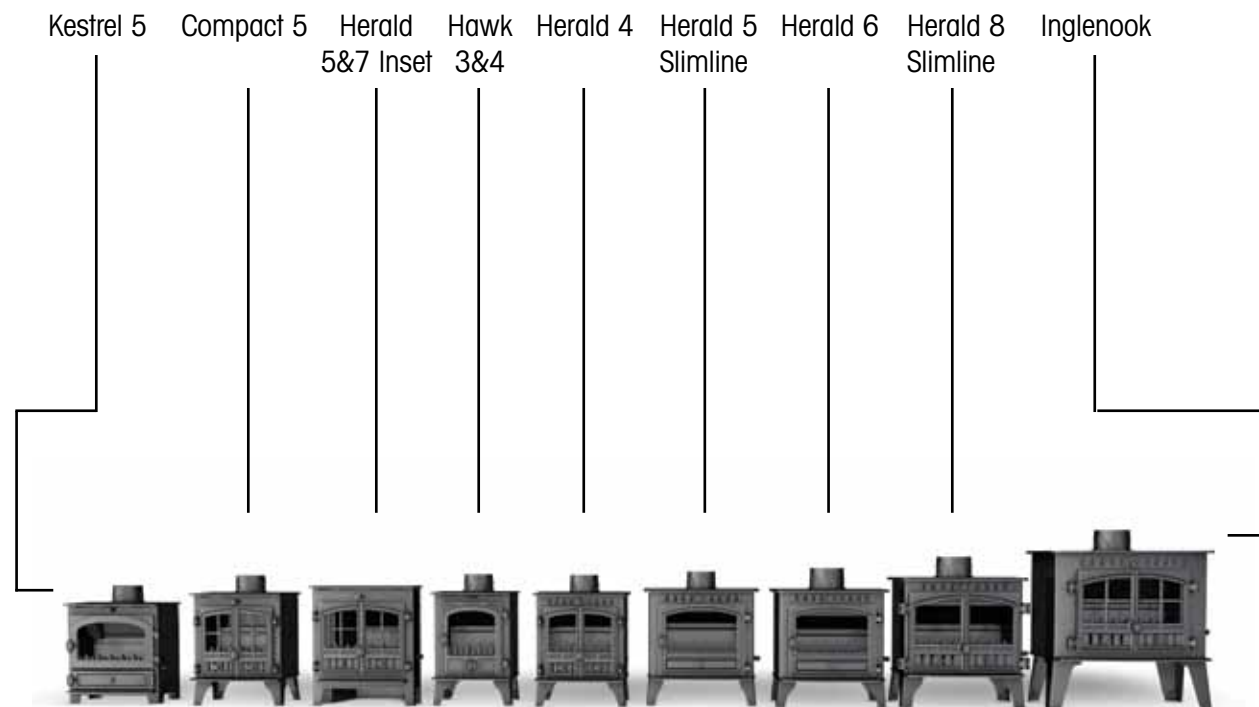


Living Design

Stylish. Solid. Efficient.
Hunter Stoves are built on a century of expertise – and equipped to face the future.

Whichever model you choose, you can now enjoy better performance, more options, and a cleaner future.

How will a Hunter stove look in your home?
 Turn the page and be inspired.



NB. All images are for illustrative purposes only

Contents

Contemporary,
 traditional, double
 or single door?
 Style your stove to
 suit your home.

 Kestrel 5	page 2
 Compact 5	page 4
 Herald 5 Inset	page 6
 Herald 7 Inset	page 8
Hawk 3 & 4	page 10
Herald 4	page 12
Herald 5 Slimline	page 14-17
Herald 6	page 18-21
Herald 8 Slimline	page 22
Inglenook	page 24
Double Sided	page 26
Living Design range	page 28
Cleanburn technology	page 30
Options	page 32
FAQs	page 33
Technical specifications	page 34-39

Hawk 4 Double Sided



Kestrel 5

Multi-Fuel Stove



The Kestrel's simple design makes a statement wherever you put it.

Kestrel 5 with contemporary door



Saving made simple

All clean lines with sleek steel and cast iron, the Kestrel brings an elegant warmth to your home. This cost-efficient stove is neatly proportioned and simply styled for a look that suits any kind of decor. The clean design is matched with a clean nature: a hot airwash keeps the glass clear, and a cool-touch handle allows you to riddle the grate swiftly. Once installed, the only impact the Kestrel 5 will have on your life is a heart-warming one. So pile it with logs or other approved fuel and bask in a surprising blaze of around 5kW. Better than weeknight telly any day.

Technical Key

- CE tested and approved at 4.6kW output with a maximum of 5kW
- Cleanburn technology
- Exceptionally hot airwash
- Multi-fuel grate for burning wood and smokeless fuel
- Dust free, safe and easy riddling
- Easy access for chimney sweeping



Kestrel 5 with contemporary door



Kestrel 5 with contemporary door

Compact 5

Multi-Fuel Stove



The Compact 5 is short in stature, not performance.

Compact 5 with double crossed doors



Captivatingly compact

Here's a scaled-down version of our classic Herald 5 – perfect for small and cosy rooms. Just like all our Heralds, this one has plenty of traditional charm and all the usual options. You can choose your finish (with shades to suit your room), doors (single or double). And yes it's compact, but no less complete: you'll enjoy a magnificent 5kW output thanks to the built-in Tripleburn technology, designed to get the best performance from your fuel. Ready to think big? Squeeze in the deceptively small Herald 5 Compact and light up the room.

Technical Key

- CE tested and approved at 4.5kW output with a maximum of 5kW
- Cleanburn technology
- Exceptionally hot airwash
- Multi-fuel grate for burning wood and smokeless fuel
- Dust free, safe and easy riddling
- Easy access for chimney sweeping
- All double door options have removable crosses as standard



Compact 5 with contemporary single door



Compact 5 with double plain doors

Herald 5 Inset

Multi-Fuel Stove



The visible depth of the Herald 5 Inset measures just 190mm.

Herald 5 Inset with double crossed doors



A perfect fit

Want to introduce some charm to your living room? A closed-off fireplace no longer precludes you from choosing a multi-fuel stove. The Inset delivers all of the Herald 5's charm and cosiness, in a stove perfect for modern fireplaces. Drawing on over 40 years of expertise, our engineers have built an efficient 4kW, multi-fuel model – then added all the charming touches that we're known for. Choose your finish, your doors, and your windows, and install a little history in your contemporary home.

Technical Key

Tested at 4.26kW output maximum of 5kW	
Exceptionally hot airwash	
Multi-fuel grate for burning wood and smokeless fuel	✓
Dust free, safe and easy riddling	✓
Easy access for chimney sweeping	✓

There are many fire surrounds on the market that are only suitable for gas or electric inset fires.

Suitable surrounds for solid fuel inset appliances are usually cut in 3 sections and slabbed. For advice on a suitable surround contact your local dealer.



Herald 5 Inset with contemporary single door



Herald 5 Inset with double plain doors

Herald 7 Inset

Multi-Fuel Stove

New!



The Herald 7 Inset brings old-fashioned fire to the modern fireplace.

Herald 7 Inset with double plain doors



Your new centrepiece

Bigger, better, and brighter than ever: the Herald 7 Inset is a roaring stove for your contemporary fireplace. It's swiftly and unobtrusively fitted, with just 190mm of visible depth. But behind the door, this sleek stove burns logs (or other approved fuel) to produce an astonishing output of 5kW. Enjoy all of the benefits of a real fire, with almost none of the hassle: the Herald 7 Inset features our famous airwash to keep the glass clear, and a cool-touch handle to make riddling quick and easy. Forget fake flames – the Herald 7 is just what your fireplace always wanted.

Technical Key

Tested to 5kW output	
Cleanburn technology	
Exceptionally hot airwash	
Multi-fuel grate for burning wood and smokeless fuel	✓
Dust free, safe and easy riddling	✓
Easy access for chimney sweeping	✓

There are many fire surrounds on the market that are only suitable for gas or electric inset fires.

Suitable surrounds for solid fuel inset appliances are usually cut in 3 sections and slabbed. For advice on a suitable surround contact your local dealer.



Herald 7 Inset with double crossed doors



Herald 7 Inset with contemporary single door

Hawk 3 & 4

Multi-Fuel Stove



With its slim shape and compact footprint, the Hawk is perfect for smaller spaces.



Hawk 4 with contemporary door and low canopy kit






Small but Fiery


The Hawk is sure to surprise you. It can be squeezed into the smallest places – but this neat little stove makes no compromise on heat output. It's capable of producing up to 4.5kW of heat from logs or smokeless fuel (Hawk 3 has a max output of 4kW). And there's no skimping on design: it boasts all the features of our larger stoves, including a cool-touch riddling handle and innovative Cleanburn technology. This may be our smallest model, but it's a feisty one.


Technical Key


Hawk 4 - CE tested and approved at 3-4.5kW output with max of 5kW  


Hawk 3 - CE Tested and approved at 3.5kW output with max of 4kW  

Cleanburn technology (Hawk 4 only) 

Exceptionally hot airwash 

Multi-fuel grate for burning wood and smokeless fuel 

Dust free, safe and easy riddling 

Easy access for chimney sweeping 



Hawk 3 flat top with traditional door



Hawk 4 flat Top with contemporary door

Herald 4

Multi-Fuel Stove



Sheer efficiency – the slender Herald works hard for its size.

(L) Herald 4 low canopy with double crossed doors

(R) Herald 4 high canopy with contemporary single door



Style on a budget

Aspiring interior decorators swoon over the elegant design, choice of coloured finishes, and stylish details. Yes, the Herald 4 has plenty of character, but don't be too distracted by its good looks. Choose the Herald 4 for its efficiency, its capacity, and its convenience. It takes logs or smokeless fuel and provides a heat output of 5kW (max) – our Cleanburn technology means the heat is directed into your room, not your atmosphere. Now, what about those colours? Turn to page 32 to choose.

Technical Key

CE Tested and approved at 4 - 5kW output with max of 5kW	
Cleanburn technology	
Exceptionally hot airwash	
Multi-fuel grate for burning wood and smokeless fuel	✓
Dust free, safe and easy riddling	✓
Easy access for chimney sweeping	✓
All double door options have removable crosses as standard	✓



Herald 4 Flat Top with double plain doors



Herald 4 Flat Top with contemporary single door

Herald 5 Slimline

Multi-Fuel Stove



The Herald 5 Slimline has a slimmer footprint for a sleek look.

Herald 5 Slimline with double crossed doors and low canopy Kit



Design your own

Our popular Herald 5 Slimline is a slimmer version of the tried and tested classic. We've made no compromise on performance, just built it to suit a shallower fireplace – with all the usual Hunter extras. Choose your finish, your doors, or add an optional canopy; the Herald can be as traditional or as simple as you like. The new version of our classic Herald 5 incorporates Cleanburn technology and a hot airwash to keep the glass clean and clear. Now it's all yours to customise for your home.

Technical Key

CE Tested and approved at 4.5kW output with max of 5kW	
Cleanburn technology	
Exceptionally hot airwash	
Multi-fuel grate for burning wood and smokeless fuel	✓
Dust free, safe and easy riddling	✓
Easy access for chimney sweeping	✓
All double door options have removable crosses as standard	✓



Herald 5 Slimline flat top with contemporary single door



Herald 5 Slimline flat top with double plain doors

Herald 5 Slimline

Multi-Fuel Stove



The distinctive Herald 5 is available in a choice of finishes.

Herald 5 Slimline with double crossed doors and high canopy kit



Room with a view

There's something elementary about making fire: no wonder the roaring flames become so hypnotic. Choose the Herald 5 Slimline with a single door and make it a real feature in your living space. This stove is an old favourite, decorated with traditional detailing and updated with our high-spec technology for a clean, efficient burn. The single door option puts a modern twist on the design, making the fireplace a natural focus as the night draws in.



Herald 5 Slimline flat top with double plain doors



Choose a wide-screen single door for a good view of the flames

Herald 5 flat top with contemporary single door

Herald 6

Multi-Fuel Stove



Outstanding design: the Herald 6 has been named Stove of the Year.

(L) Herald 6 flat top with double crossed doors

(R) Herald 6 low canopy and double crossed doors



A winning design

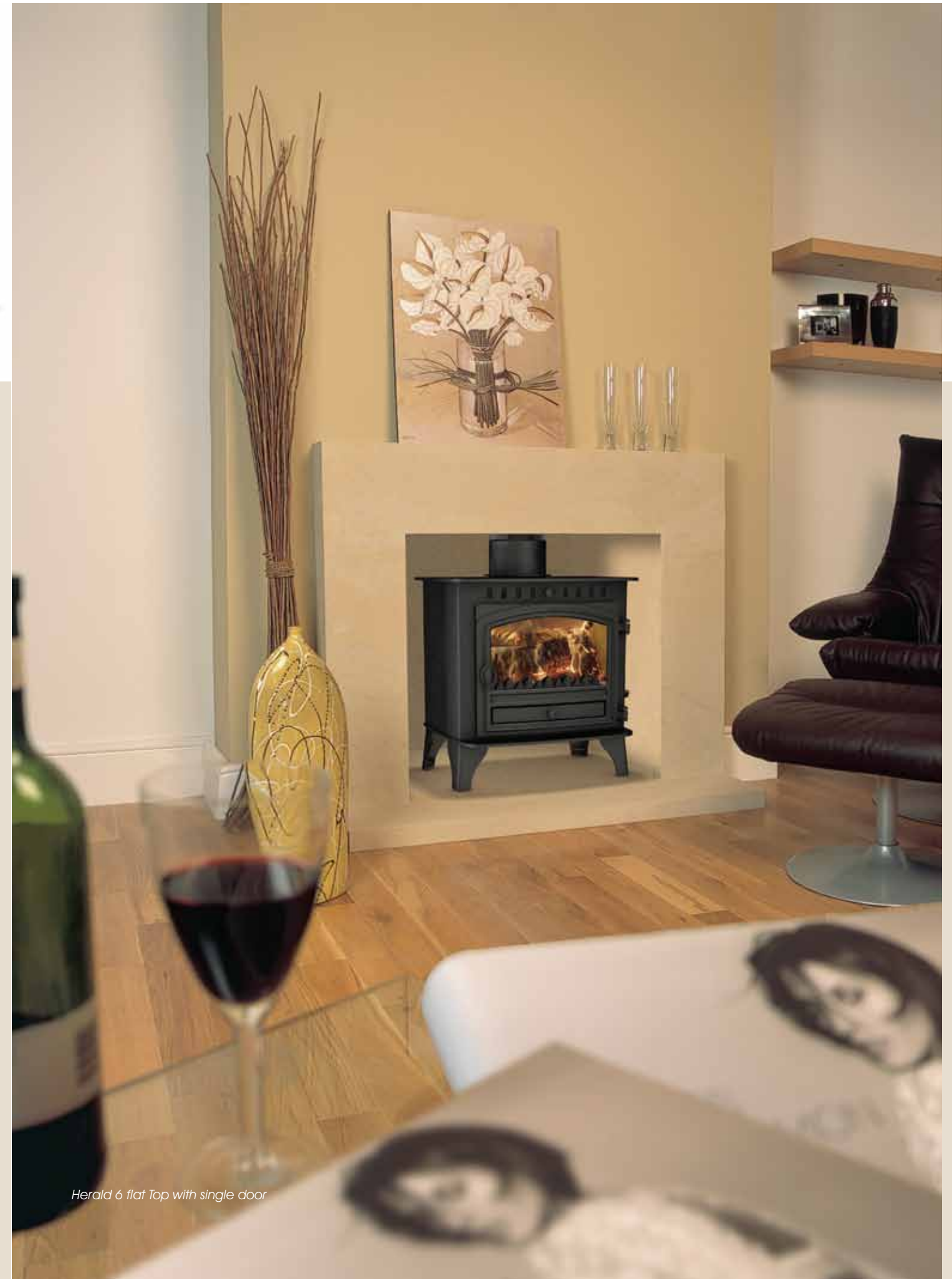
The Herald 6 is the envy of its competitors. That's because it boasts an output of up to 6.5kW, which is very high for its size. Don't be fooled by its modest footprint and simplified styling; inside, the Herald 6 is packed with features that mean you'll always get the most from it. An airwash keeps the glass clean, and our innovative Cleanburn technology maximises combustion for a better, cleaner burn.

Technical Key

CE Tested and approved at 5.5 - 6.5kW output with max of 7kW	
Cleanburn technology	
Exceptionally hot airwash	
Multi-fuel grate for burning wood and smokeless fuel	✓
Dust free, safe and easy riddling	✓
Easy access for chimney sweeping	✓
All double door options have removable crosses as standard	✓
Clip-in-boiler option	✓
National award-winning stove	✓



Herald 6 flat Top with double plain doors



Herald 6 flat Top with single door

Herald 6

Multi-Fuel Stove



The single door option gives a more contemporary look.

Herald 6 high canopy with contemporary single door



Make it yours

The Herald 6 is available in plenty of options, giving you flexibility to design a stove that will suit your décor. The double-door option, with removable crossed doors, has a warmly traditional look. The single door gives you a wider viewing space. Choosing the door is just your first step; next decide whether you'd like the optional canopy or back boiler (capable of running two radiators), and which finish will complement your room.



The canopy transforms the look of the Herald 6.

Herald 6 low canopy with double crossed doors



Herald 6 flat top with double plain doors

Herald 8 Slimline

Multi-Fuel Stove



The Herald 8 Slimline takes longer logs for low-maintenance operation.








Herald 8 Slimline with contemporary single door and high canopy kit



Relax and slow-burn

It may stick out less, but the Herald 8 Slimline won't go unnoticed. This high-powered model delivers outstanding performance from a smaller fireplace. Designed with less depth, the stove can still accommodate logs of up to 19 3/4" long. The Cleanburn system ensures that the fuel gives its utmost, driving heat directly into the room. You'll hardly need to tend it, and you certainly won't need to clean it often: a hot airwash keeps smoke from the glass window. Delivering a heat output of up to 7kW, the multi-fuel Herald Slimline 8 is all give and no take.

Technical Key

- CE Tested and approved at 6kW output with max of 7kW 
- Cleanburn technology 
- Exceptionally hot airwash 
- Multi-fuel grate for burning wood and smokeless fuel 
- Dust free, safe and easy riddling 
- Easy access for chimney sweeping 
- All double door options have removable crosses as standard 



Herald 8 Slimline with double crossed doors and low canopy kit



Herald 8 Slimline flat top and double plain doors

Inglenook

Multi-Fuel Stove



The characterful Inglenook creates that cosy cottage feel.

Inglenook with contemporary single door and low canopy kit



Vintage chic

Choose the Inglenook for a traditional fire in the heart of the home. With its unique canopy and wide footprint, this stove is as practical as it is beautiful. Producing a maximum heat output of 7kW, it's ideal for the larger fireplace and designed to burn logs and smokeless fuel cleanly and efficiently. Choose to have it with or without the canopy and select your finish from a choice of three to create your perfect fireplace. Just the place to curl up for a bedtime story.

Technical Key

CE Tested and approved at 6kW output with max of 7kW	
Cleanburn technology	
Exceptionally hot airwash	
Multi-fuel grate for burning wood and smokeless fuel	✓
Dust free, safe and easy riddling	✓
Easy access for chimney sweeping	✓
All double door options have removable crosses as standard	✓
Unique Inglenook canopy	✓

The double-door Inglenook features removable window crosses.

Inglenook flat top with double crossed doors



Inglenook with double plain doors and high canopy kit

Double Sided

Multi-Fuel Stove



Two models within the Living design range are available as double sided stoves

(L) Herald 6 double sided double depth flat top with contemporary single door

(R) Hawk 4 double sided single depth flat top with contemporary single door



Instant wow factor

Warm up your stylish open-plan living space with a dramatic fire. Open on both sides, it radiates heat throughout the space, transforming your environment with flickering firelight. Choose from the Hawk 4 or Herald 6 for your double-sided stove. Each can be built with a single or double depth, giving you a larger fuel bed and even better heat output. Finally, customise your choice with a canopy or door crosses and Midnight, Forest Green, or Cloudy Blue finish.

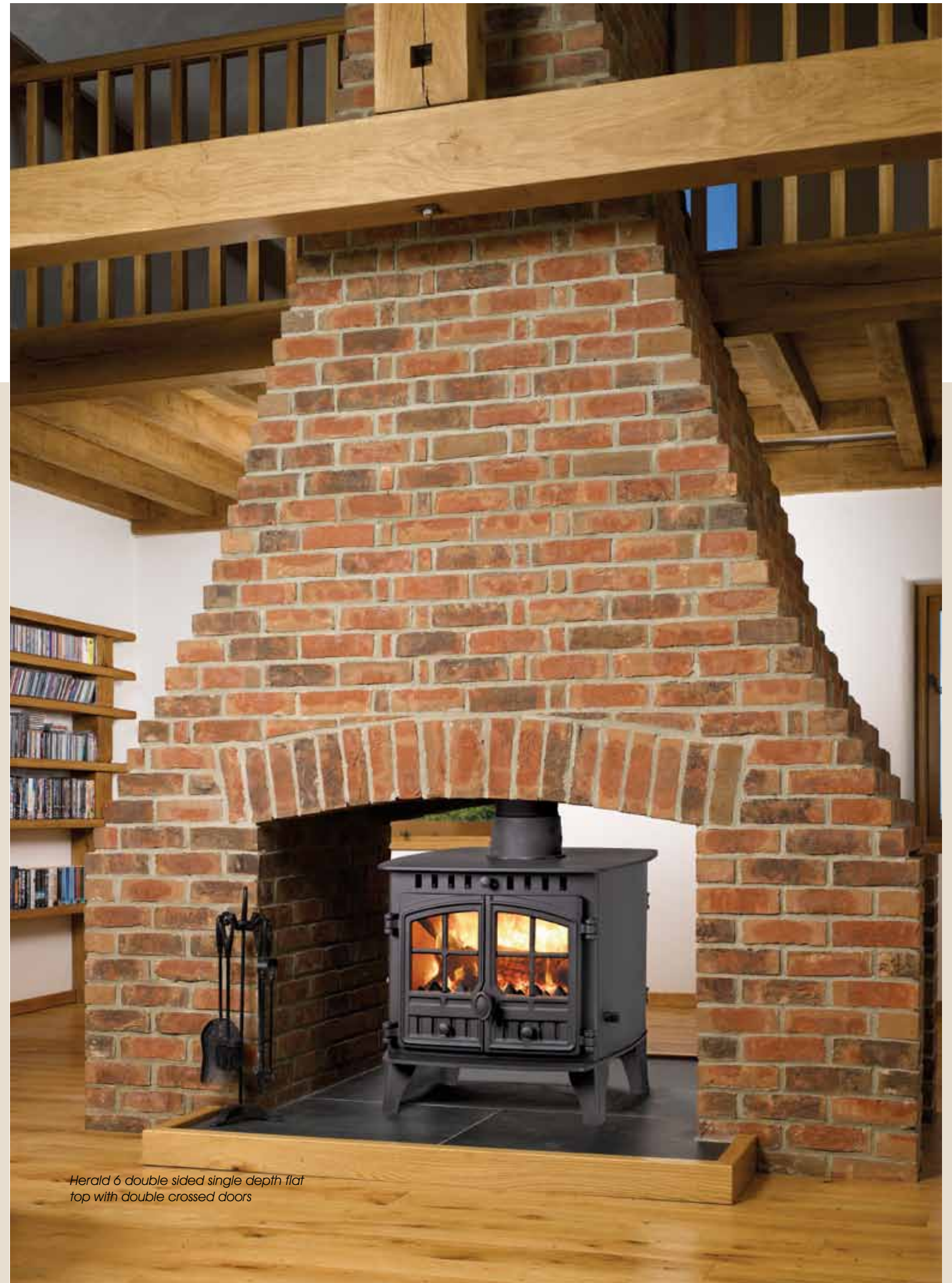
Technical Key

CE Tested and approved	
Cleanburn technology	
Exceptionally hot airwash	
Multi-fuel grate for burning wood and smokeless fuel	✓
Dust free, safe and easy riddling	✓
Easy access for chimney sweeping	✓
Herald 6 double door options have removable crosses as standard	✓



Customise your stove: pictured here with optional canopy, double doors, and no window crosses.

Herald 6 double sided single depth low canopy with double plain doors



Herald 6 double sided single depth flat top with double crossed doors

Living Design Range

Features



The Hunter stove collection



Independently CE Tested and Approved

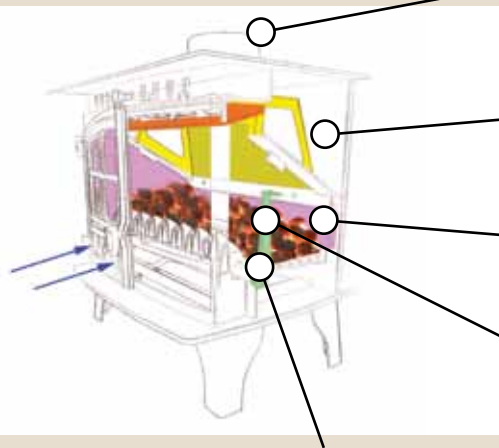
Specified stoves in the Living Design Range have been independently certified meeting the stringent CE requirement.

New Hunter Cleanburn Technology

Cleanburn technology means that more of the fuel is ignited, resulting in an increased heat output, less smoke, and a cleaner environment.

Exceptionally Efficient

Currents of air inside the stove ensure that fuel is burnt evenly and efficiently.



From Wood to Multi-Fuel with a Single Movement of the Tool

The stove's integral grate can be changed from wood to multi-fuel setting with a single movement of the cold-handled riddling tool.

Safe and Efficient for Over-Night Burning

By reducing the air inflow to an absolute minimum, you can keep the fire gently smouldering overnight. Come morning, increase the air flow and the fire will return to life.

Dust Free, Safe and Easy Riddling

The riddling tool enables you to clean the grate without causing clouds of dust. Just move it back and forth with the doors closed.

Interchangeable Flue Outlets

Free standing stoves in the Living Design Range can be flued from either the top or the rear of the stove.

Easy Access for Chimney Sweeping

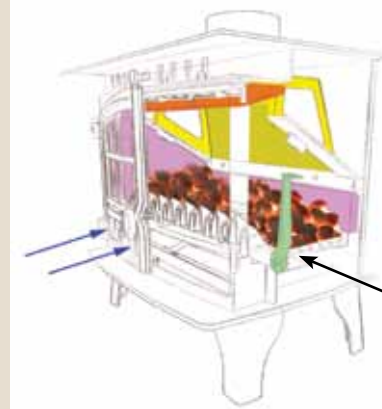
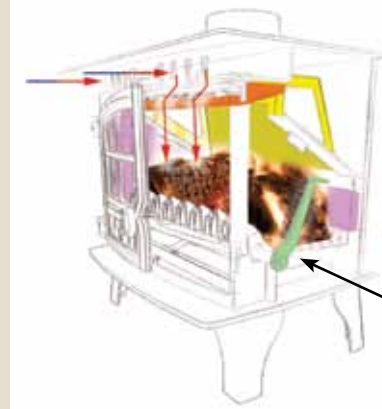
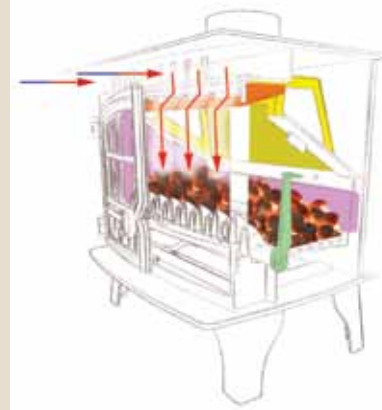
Every stove features a removable throat-plate, giving full and easy access for sweeping the chimney.

Internal Lining System

The new internal lining system maximises the firebox temperature, ensuring complete combustion.

Cold-handled Riddling Tool

The cold-handled riddling tool can be used for opening and closing the doors, riddling the grate, grate adjustment and easy removal of the ash-pan.



No need to scrub the glass door

Our innovative airwash draws air from the top of the stove, heats it up in the central air chamber and then sends it down behind the glass door, creating a screen between the fire and the glass. Smoke or combustion particles do not come into contact with the glass, so you don't need to clean it.

Optimum Woodburning Conditions

Three streams of hot air ensure that fuel is burned efficiently by maximising combustion. For wood, close the grate and allow a deep bed of ash to build up - the optimum conditions for combustion.

Grate in 'back' closed position for burning wood

Optimum Smokeless Fuel Burning Conditions

When you're burning smokeless fuel, just switch the grate to the open position. Air flows beneath the grate and into the heart of the fire - the optimum conditions for burning solid fuel.

Grate in 'forward' open position for burning solid fuel

Cleanburn technology

Multi-Fuel Stoves



CLEANBURN is our innovative new technology – it's not just better for the stoves, it's also better for the environment.

The idea behind Cleanburn is to maximise combustion, so that more fuel is burnt and less is turned into deposits in the stove, chimney, or atmosphere. Our Cleanburn stoves have been proven to have lower emissions, which makes them among the most eco-friendly models on the market.

Virtually all of the Hunter stoves are approved twice; for burning both wood and smokeless fuel



The New Hunter 'Internal Lining System' maximises the firebox temperature, ensuring complete combustion.

'Tertiary Air' re-ignites the un-burnt gases ensuring a cleaner burn.

NB. 'Tertiary Air' is not available on the Hawk 3 and Herald Inset 5



Herald 8 Slimline flat top with contemporary single door

Options



MIDNIGHT (matt black), FOREST GREEN (subtle green with metallic tint), and CLOUDY BLUE (grey-blue with metallic tint).



Whichever Hunter stove you choose, you have a number of options to make it perfect for your interior. Talk to your supplier about the choices available on each stove. Here's an overview of the possibilities:

FINISHES

Every stove is built in 5mm steel, but you can choose the finish you'd like. Top image, L-R: MIDNIGHT (matt black), FOREST GREEN (subtle green with metallic tint), and CLOUDY BLUE (grey-blue with metallic tint).

SINGLE OR DOUBLE DOOR?

The larger models are available with a single door or double door. While the single door option provides a better viewing window, the double door gives a traditional appearance. Double doors also come with removable window crosses.

SINGLE OR DOUBLE-SIDED?

The Hawk 4 and Herald 6 can be built as double-sided stoves, which means both sides have doors. You can opt to have these in a double depth, too, so the fuel bed is larger.



Optional multi-fuel front extension for larger fuel loads

CANOPY?

Most models have a matching canopy which you can choose to add to your purchase. The Inglenook has a unique canopy which enhances its cottage-style look.

Optional flue gather box, for rear flue installations and limited space installations



- Flat top, low canopy or high canopy models
- Unique Inglenook canopy (Inglenook only)
- Single or double depth, double sided models (Hawk 4 and Herald 6 only)
- Clip-in boiler option (Herald 6 only)
- Woodburning only option
- Single or double doors
- Traditional or Contemporary 'D' door (Hawk only)
- Flue damper
- Spark guard (Double door only)
- Variable leg length
- MIDNIGHT finish with optional FOREST GREEN or CLOUDY BLUE
- A single brass door knob or set of brass door knobs

* Please see the key on page 34 for all options available.

FAQs

DOES HUNTER SELL DIRECT TO THE PUBLIC?

No; we have a network of trusted dealers with showrooms throughout the UK and Ireland. To locate your nearest dealer, drop us a quick email at sales@hunterstoves.co.uk, or telephone 0044 (0) 1392 841744.

HOW DO I GET MY NEW STOVE INSTALLED?

Installation must be carried out by a Hetas-approved or similarly qualified engineer and must be in accordance with Building Regulations. To investigate the suitability of your chimney, contact your local dealer, who will be pleased to arrange a site visit. This is very important, because the condition of your chimney will determine how well your stove performs; a poor chimney system will affect its efficiency. Any existing flue must be swept and inspected before installation of the stove. All multi-fuel/wood burners must be installed in a class 1 chimney.

WHAT IF I DON'T HAVE A CHIMNEY?

There are many different flue systems available. Please contact your local dealer/ flue installer, who will be able to give you personal advice.

CAN I CONNECT TWO STOVES TO ONE FLUE SYSTEM?

No. All Hunter Stoves must be individually flued.

MY STOVE HAS A 6" FLUE COLLAR; CAN I INSTALL IT ON A 5" FLUE?

No. The internal diameter of the flue must be no smaller than the appliance flue collar for its entire length. If burning wood on a stove with a 5" outlet a 6" liner must be fitted.

DOES MY CHIMNEY NEED LINING?

This is to be decided by your qualified Engineer.

DO I NEED AN AIR BRICK?

Yes if the output is above 5kw.

WHAT TYPE OF FUEL CAN I USE?

The quality of fuel will dictate the performance of your Hunter Stove.

WOODBURNING

Burn only dry, well seasoned wood. For best results, use dry wood, with a moisture content of less than 20%, which has been cut, split and stacked for at least 12 months. This is advertised as 'seasoned' wood. Burning wet or unseasoned wood will create tar deposits in the stove and chimney and won't produce a satisfactory heat output. Wood burns best on a bed of ash and it is therefore only necessary to remove surplus ash from the stove occasionally.

PEAT

Only to be used in turf or brick form, but the moisture content must be very low.

SMOKELESS FUEL BURNING

Anthracite is an approved natural smokeless fuel (not processed) but can vary greatly in quality and performance. It generally requires excellent air supply to maintain maximum performance and with experience we would suggest that it is used in conjunction with other approved manufactured smokeless fuels as per the HETAS approved list.

Please visit www.hetas.co.uk for an up to date list of approved Manufactured Smokeless Fuels suitable for closed appliances.

Only authorised smokeless fuels may be used in smoke control areas.

Warning! - Petroleum coke fuels or household waste must not be burnt on our appliances. Should any difficulties arise over fuel quality or suitability, consult your approved coal merchant or the Solid Fuel Advisory Service – Telephone 0800 600 000.

CAN I BURN WOOD ON MY MULTI-FUEL GRATE?

Yes. All Hunter multi-fuel appliances are capable of burning wood.

CAN I SWEEP MY CHIMNEY THROUGH THE STOVE?

Yes – it is possible to sweep the chimney through the stove.

A clip-in boiler installation should have an additional means of access to the flue system to allow cleaning – usually a soot door in the first length of flue pipe.

CAN I RUN MY BOILER STOVE DISCONNECTED?

No. The stove should not be fired with the boiler disconnected or empty, as this could cause serious damage to the appliance.

HOW MUCH SPACE WILL MY STOVE NEED?

All our units require a clearance of 150mm (6") on either side, and 50mm (2") clear at the back. The hearth should extend 300mm (12") in front of the appliance (From the door opening). All of these clearance specifications are for non combustible materials.

SPARK GUARDS

Our multi-fuel stoves have been tested and CE certified by an approved independent testing facility, to the current CE legislation. In addition to this all of our stoves exceed the minimum efficiency requirements as set out by the English & Welsh Building Regulations part L. In order to achieve this, all of our stoves are tested as closed appliances and therefore must be documented accordingly. Some customers choose to run appliances with the doors open. In doing this they accept that the operating characteristics of the stove might change. This is a personal choice and it is the reason that we supply Spark Guards, as an option. If our stoves are run with the doors open then the operation of the flue, ventilation to the room and the quality of the fuel will need to be very good, in order to prevent smoke spillage into the room. Not all installations will be able to achieve this.

Hunter Technical Key

Multi-Fuel Stoves



Optional spark guard



Optional flue damper



Optional wood front



Optional brass door knob

	Kestrel	Herald 5	Herald 7	Hawk	Hawk	Hawk 4/4D	Hawk 4/4D	Herald 4		Compact 5	Herald 5 Slimline	Herald 6	Herald 6	Herald 6	Herald 8	Inglenook
		Inset	Inset	3/3D	4/4D	Double single	Double Double						Double Single	Double Double	Slim line	
output normal / max Kw	4.6-5kw	4.26-5kw	5kw	3.5-4.0kw	3-4-5kw	5-5.5kw	10kw	4-5kw		4.6-5kW	4-5kw	5.5-6.5kw	5.5-6.5kw	10.5kw	6kw	6-7.3kw
Efficiency on wood %	76.8	71.27	76.3	70.9	72.8	72.7	75.4	78.3		76.0	72.5	75.9	n/a	n/a	73	83.6
Flat Top	✓	✓	✓	✓	✓	✓	✓	✓		✓	✓	✓	✓	✓	✓	✓
Low Canopy option	~	~	~	~	•	~	~	•		~	•	•	•	•	•	•
High Canopy Option	~	~	~	~	~	~	~	•		~	•	•	•	•	•	•
Double door option	~	✓	✓	~	~	~	~	✓		✓	✓	✓	✓	✓	✓	✓
Single door option	✓	•	•	✓	✓	✓	✓	•		•	•	•	•	•	•	•
Multi Fuel Option (Riddling Grate)	✓	✓	✓	•	•	•	•	•		•	•	•	•	•	•	✓
Wood Burning only option	~	~	~	•	•	•	•	•		•	•	•	•	•	•	~
Black knob set	✓	✓	✓	✓	✓	✓	✓	✓		✓	✓	✓	✓	✓	✓	✓
Brass Knob	•	•	•	•	•	•	•	•		•	•	•	•	•	•	•
Full Brass Set	•	•	•	~	~	~	~	•		•	•	•	•	•	•	•
Flue Damper	•	~	~	•	•	•	•	•		•	•	•	•	•	•	•
Sparkguard ³	~	~	~	~	~	~	~	•		•	•	•	•	•	•	•
Multi fuel Extention	~	~	~	•	•	•	•	•		~	•	•	•	•	•	~
Flue Gather Box	•	~	~	•	•	~	~	•		•	•	•	~	~	•	~
Coloured finish	•	•	•	•	•	•	•	•		•	•	•	•	•	•	•
Non Standard Leg Height ¹	~	~	~	•	•	•	•	•		•	•	•	•	•	•	•
Clip in Boiler Option ²	~	~	~	~	~	~	~	~		~	~	•	~	~	~	~
Ventilation (mm ²)	~	~	~	~	~	225	2750	~		~	~	825	825	3025	550	1265
Leg lengths	1 1/2" - 138mm	~	~	3" - 176mm	5" - 127mm	5" - 127mm	5" - 127mm	5" - 127mm		5" - 127mm	5" - 127mm	6" - 152mm	6" - 152mm	6" - 152mm	6" - 152mm	9 1/4" - 235mm
log length (approx)	15 3/4 - 400mm	~	~	10" - 258mm	11" - 280mm	11" - 280mm	11" - 280mm	11" - 280mm		13" - 330mm	16" - 405mm	15" - 380mm	15" - 380mm	15" - 380mm	19 3/4 - 500mm	19" - 480mm

✓ = standard
• = option
~ = not available

1. Optional Leg Height - you specify the size, we make to order

2. Clip in Boiler model 1.5kw to room 4.0kw (13,600btu) to water

3. Sparkguard - only available on double door options

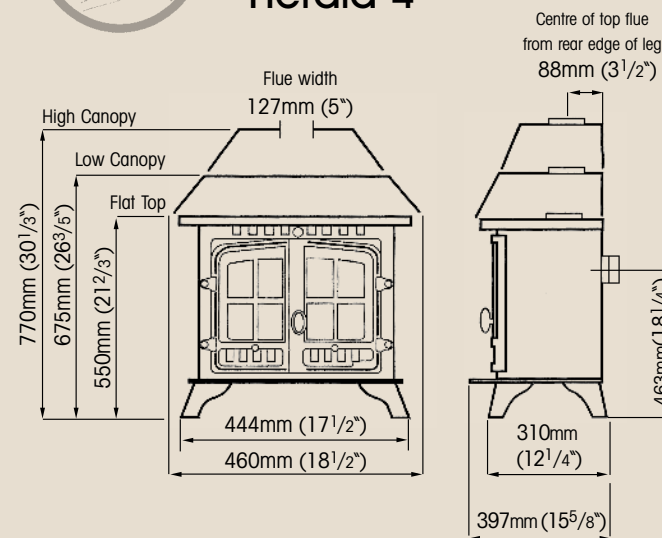
Living Design Range

Technical Specifications

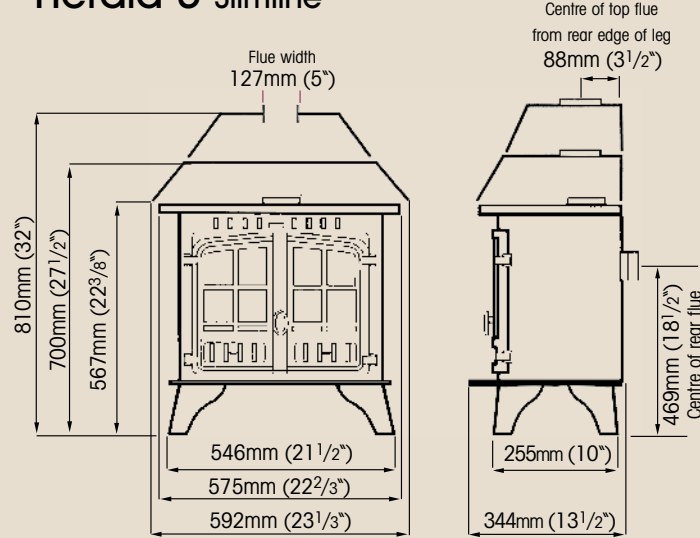
All the Living Design stoves are manufactured from high quality 5mm thick steel and have cast iron components. They feature the new Hunter Cleanburn Technology, they all burn wood, smokeless fuels and peat on a dust-free de-ashing system, and have a hot airwash system keeping the glass clean to see through.



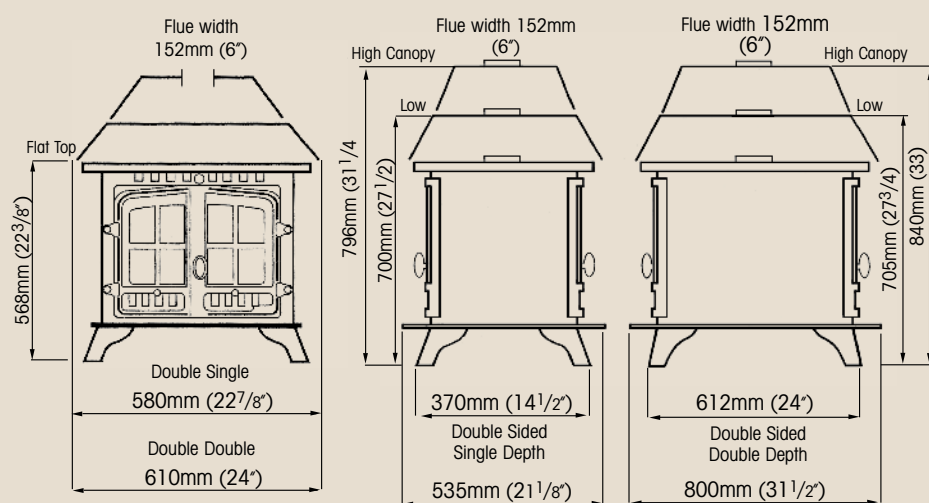
Herald 4



Herald 5 Slimline

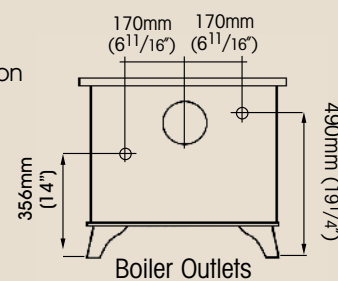


Herald 6 Double Sided



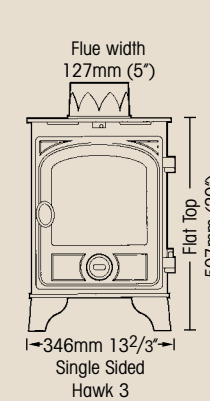
Single Sided Boiler Option

Clip in boiler provides up to 13,600BTU output, dependent on fuel load

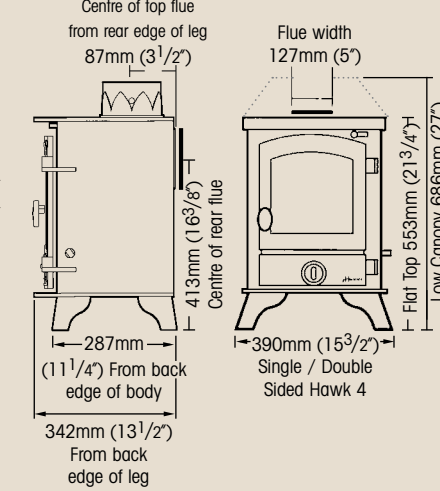


All dimensions shown are with standard leg lengths

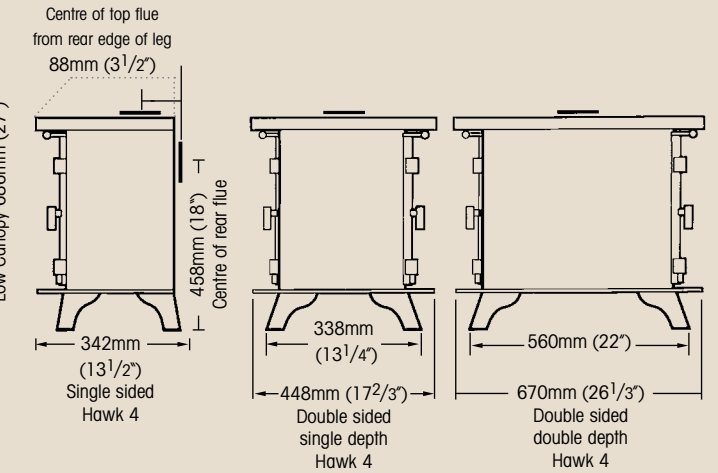
Hawk 3



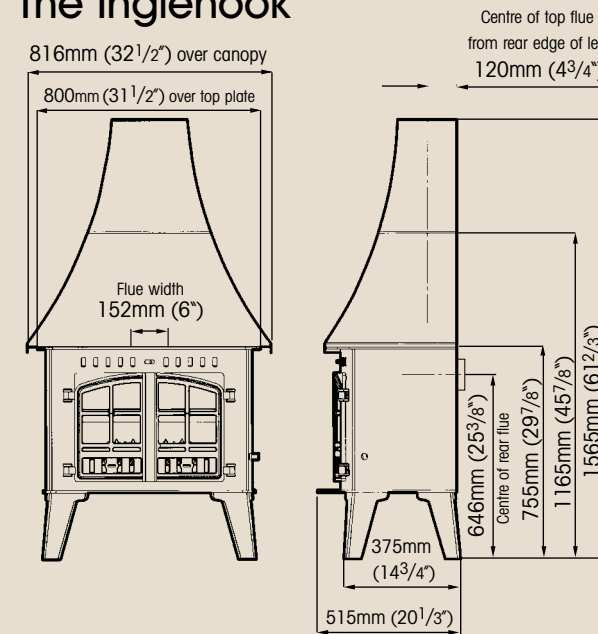
Hawk 4



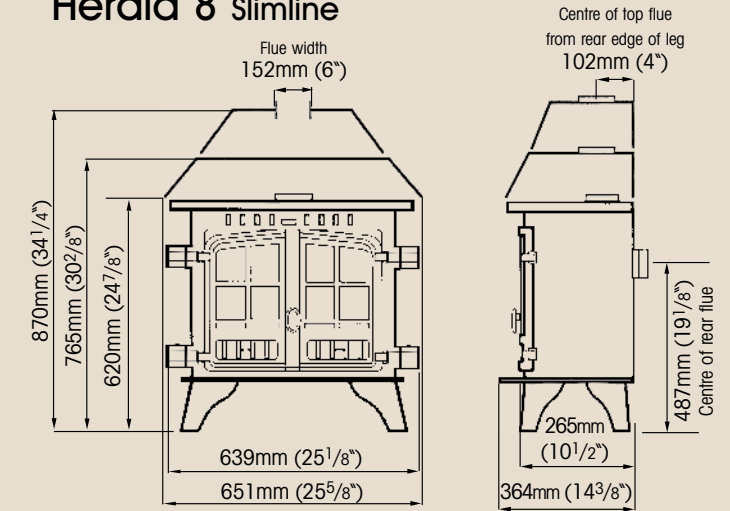
Hawk 4 Double Sided



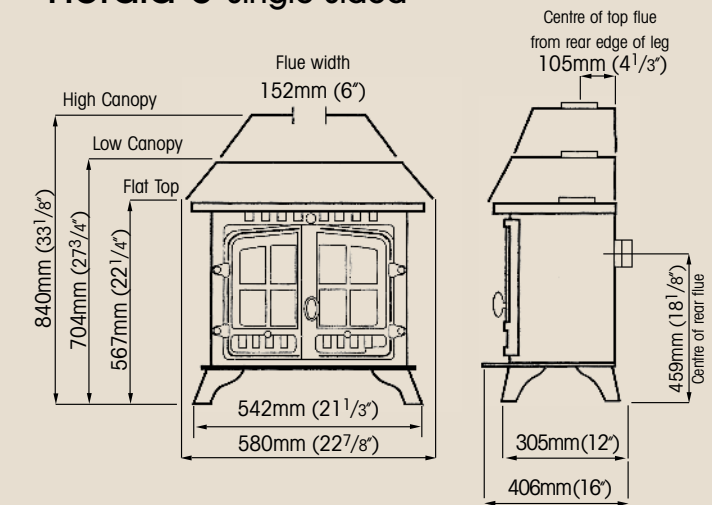
The Inglenook



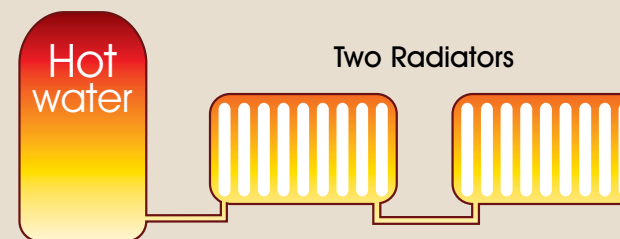
Herald 8 Slimline



Herald 6 Single Sided



Boiler Option Herald 6 only

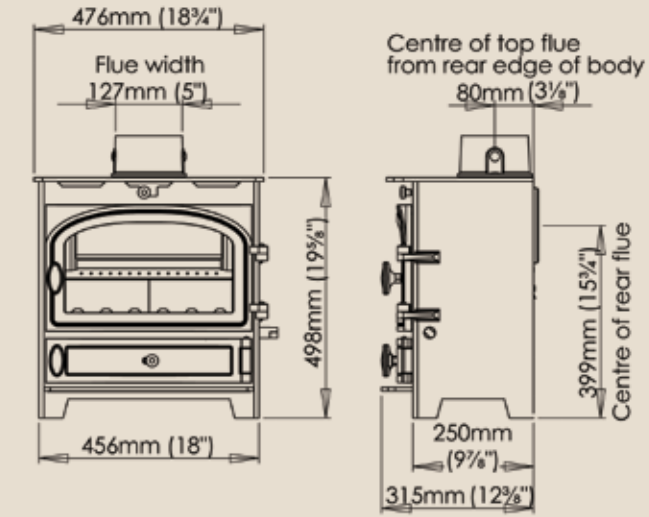


Living Design Range

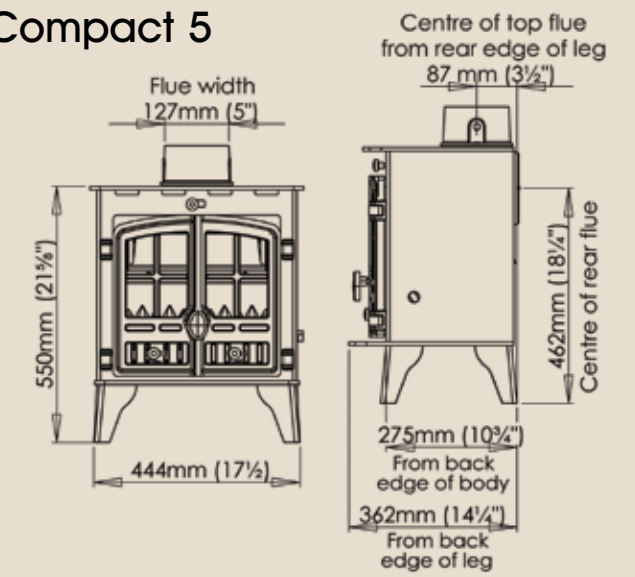
Technical Specifications



Kestrel 5

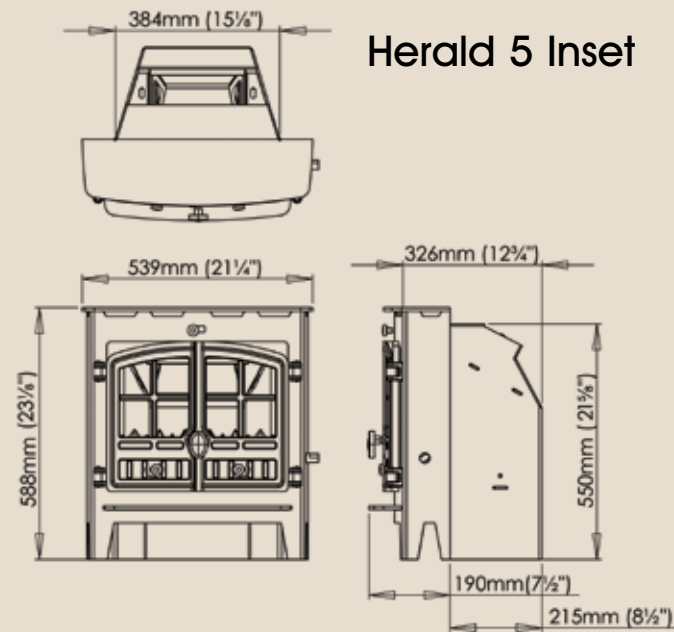


Compact 5

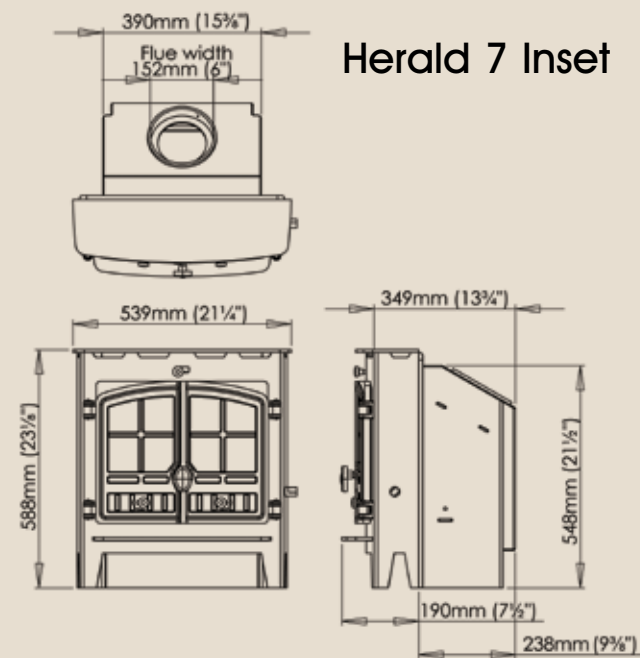


NB. Flue adaptors are available as an optional extra

Herald 5 Inset



Herald 7 Inset



Important information - Herald Inset

Inset 5's are designed to fit ONLY with a chairbrick
Inset 7's are designed to fit WITHOUT a chairbrick

All inset installations must have a 'Throat Forming Lintel', if a 'Builders Opening Lintel' is present then this will have to be modified for these units to be fitted.

If you intend on fitting the flue adapter with the inset 5, please be aware that the top of the chairbrick needs to be removed.

Any queries on suitable installations please contact your local dealer.

The clearance distances to combustible material for the Inset 5 are:

315mm from the side of the stove and 460mm from the top.

This equates to : 1050mm from the floor and 569mm either side of the centreline of the stove.

The clearance distances to combustible material for the Inset 7 are:

160mm from the side of the stove and 350mm from the top.

This equates to: 938mm from the floor and 429.5mm either side of the centreline of the stove.

There are many fire surrounds on the market that are only suitable for gas or electric inset fires.

Suitable surrounds for solid fuel inset appliances are usually cut in 3 sections and slabbed. For advice on a suitable surround contact your local dealer.





Herald 5 Slimline flat top with double plain doors

Want more . . .

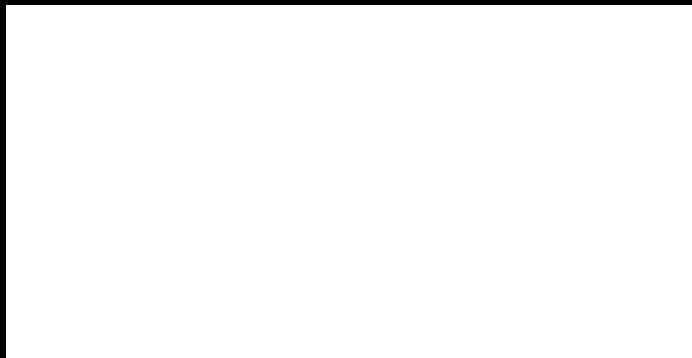


For our larger output, central heating and double sided stoves contact your local dealer for our Herald 8, 14, 80b and High Output Inglenook catalogue or visit the Hunter Stoves website at www.hunterstoves.co.uk

Please note: The outputs of the new stoves within the Living Design range have been calculated in-house, awaiting independent results, therefore outputs may vary. Heat outputs are dependent on fuel load and installation parameters. Overnight burning is dependent on fire box size, fuel load etc. Many thanks to B D Brooks Fireplaces, BWF Humphries, Firecraft and Focus Fireplaces for the provision of fireplaces/photography. Hunter Stoves Limited has a policy of continuous product improvement and therefore reserves the right to change specifications and designs at any time without prior notice.

Hunter Stoves Ltd. strongly recommends that the suitability of any installation should firstly be agreed with a HETAS qualified installer or similarly competent professional, to ensure compliance with the recent changes to the Building Regulations. Hunter Stoves Ltd. will not be held responsible for any losses, however arising, from inappropriate installations by unqualified or non-competent installers. An inappropriate installation may also invalidate claims made under a manufacturer's warranty or guarantee.

Your Local Stockist



Hunter Stoves Limited
Unit 6 Old Mill Industrial Estate
Stoke Canon
Devon EX5 4RJ