

September 2009



By appointment to The Royal Danish Court

**morsø**

Making life warmer

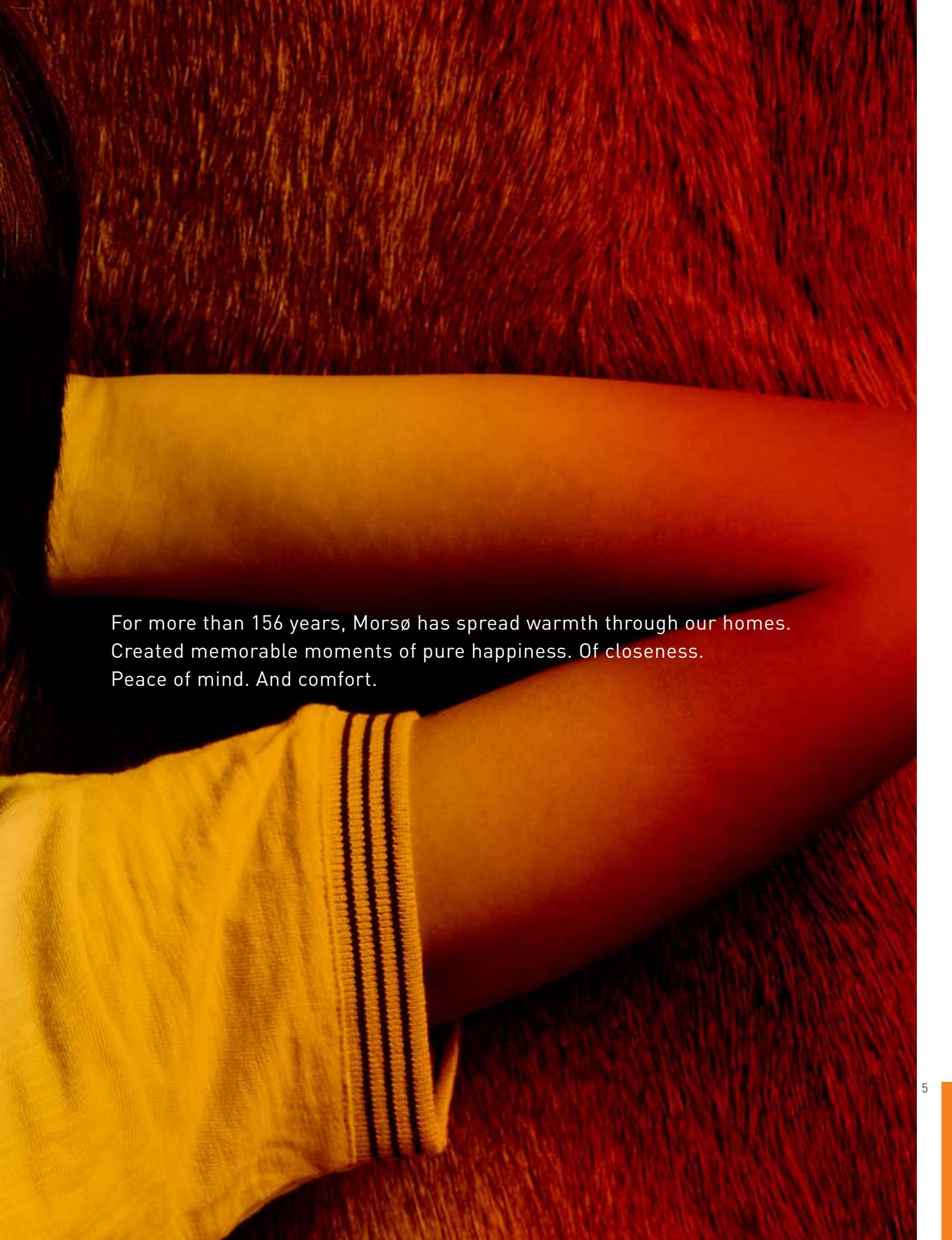




## Contents

- 08 The original cast-iron stove
- 10 Choosing the right stove for you
- 12 Morsø's history
- 16 The Morsø stove and the environment
- 18 The environmental standards
- 20 Fire awareness
- 22 Morsø and the environment
- 24 From Kaare Klint to Ritterband
- 26 The 1400 series
- 28 The 3100 series
- 30 The 3400 series
- 32 The 2100 series
- 34 1630 & 7110
- 36 The 3600 series
- 38 The 8100 series
- 44 Fireplace inserts
- 48 The Ø collection
- 50 2100 panther & 1400 squirrel gas
- 50 Morsø original accessories





For more than 156 years, Morsø has spread warmth through our homes.  
Created memorable moments of pure happiness. Of closeness.  
Peace of mind. And comfort.



## A choice for life

When you eventually put this magazine down, the likelihood is you'll be sold. You'll have fallen for Morsø's timeless look. You'll have fallen in love with cast iron's unique properties. And you'll be convinced by our stoves' obvious plus points in terms of the environment.

But believe us – when you describe your relationship with your Morsø in a few years' time, it won't be the design, cast iron or environment which will fuel your fondness. By then, your stove will have long become one of the best-loved items of furniture in your home. A good friend, you will share a special sense of inner peace and harmony. A trusty source of comfort, you will love it for its sound, look and warmth. And for the glow of happiness it has spread throughout the house year after year.

To choose a Morsø is, in other words, to make a choice for life.

HOFFER



MOYISO



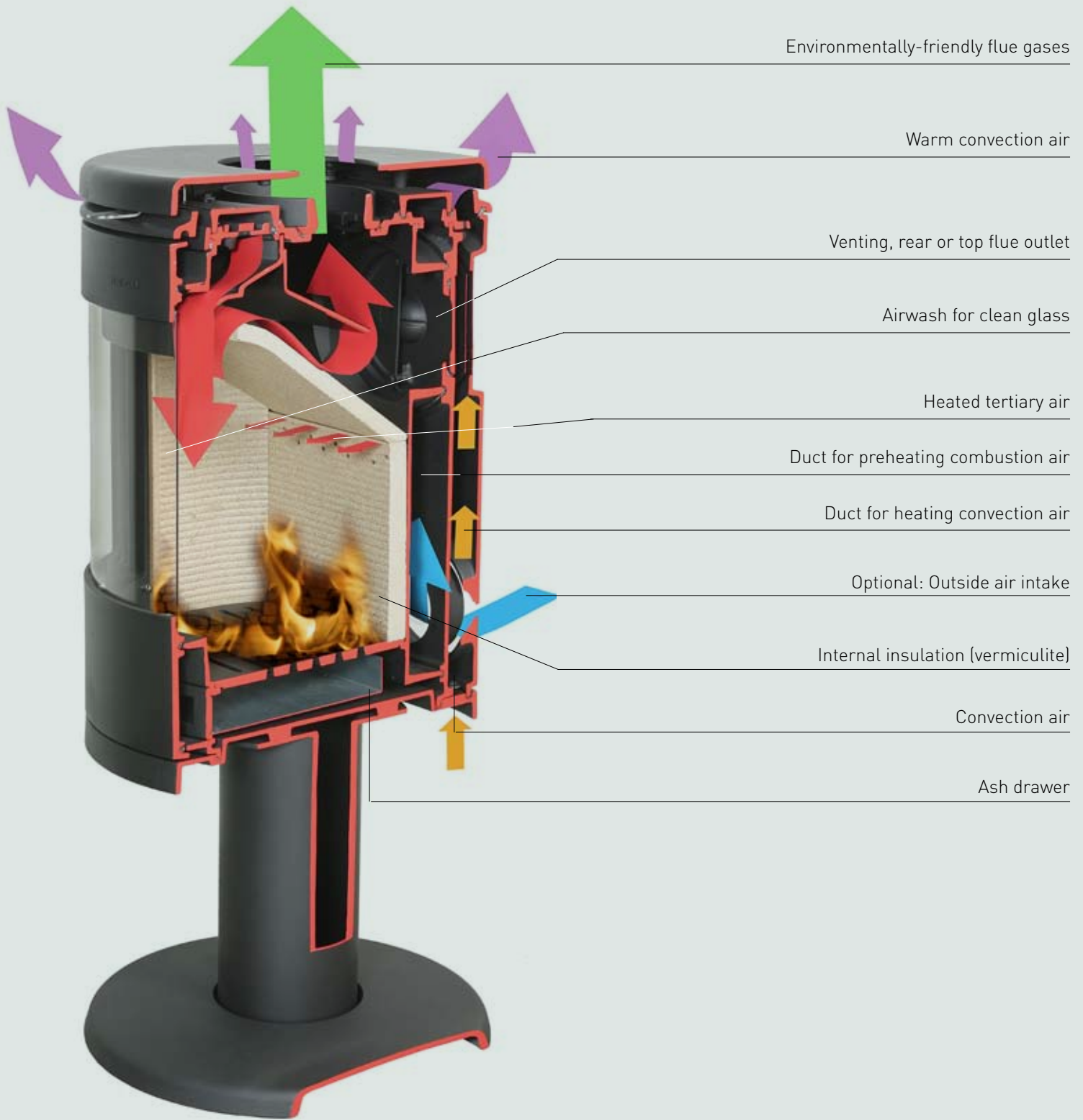
## The original cast-iron stove

If you asked 100 random Danish people to name a make of stove, more than 90 of them would without doubt say "Morsø". With good reason. For generations, Morsø has been the quintessence of a Danish stove. Timeless and modern at the same time. Efficient. Cosy. And made of cast iron, which many people still see as the best material for a stove.

We're very aware of this.

No matter how hard they've tried to produce new, cheaper and lighter materials, nobody has managed to produce a stove with the same unique properties as the cast-iron stove:

- 
- All stoves want to expand as they get hot. However, cast iron has a thermal tension, which makes the material especially well suited to changing temperatures. The result is that a Morsø cast-iron stove neither twists nor becomes skew once it's heated up.
  - We don't weld our stoves – a Morsø stove is bound with gasket and bolted together with screws, so it will always be perfectly sealed and always good for burning a fire in.
  - Cast iron is highly resistant to burn-through.
  - The thickness of the cast iron we use at Morsø is almost twice as thick as a stove made of steel. So, our stoves retain the heat for longer.
  - Cast iron's ability to distribute the heat is higher than that of steel. This means that the heat from a Morsø cast-iron stove always feels comfortable and pleasurable to be near to.
  - You receive a 10-year guarantee against casting faults and other production faults according to Morsø's warranty conditions.



We're hot for fire. One of our most important areas of expertise is the production of environmentally-aware stoves, and we happily describe ourselves as experts in combustion technology. The cross-section of the stove shown above outlines the stove's combustion and convection airflow system. Cold air is drawn into the stove and heated as it passes through the cast iron channels (the heated air washes the glass keeping it clean, clear and free from soot).

The hot air also provides perfectly heated combustion air (in addition the heated tertiary air aids secondary combustion of any smoke and gasses, increasing efficiency and reducing the environmental impact).



## Choosing the right stove for you

The Morsø range is extensive and comprises of stoves to cover a whole variety of needs. So, despite the fact that the natural thing to do is let taste and appeal decide, start by looking at the various models' and designs. We recommend you consider a few points first.

### **Radiant or convection stove?**

There are two different types of stove: radiant stoves and convection stoves. The radiant stove concentrates the heat around the stove itself, while the convection stove quickly distributes the heat out into the whole room. The type you choose will therefore greatly depend on what you want your stove to do. If you want cosiness and warmth close to the stove, the radiant stove is a good choice. If, on the other hand, the stove is also to play an

effective role in heating your home as a primary heat source, you should choose a convection stove.

### **What size?**

The size of your stove is decisive for getting full pleasure of your investment. In this respect, too large can cause problems just as too small can. A stove that's too small will not be able to heat the room adequately. However, if you buy a stove that's too big in relation to the room, you will be forever cutting the air supply to keep the room temperature down. As a result, combustion will be incomplete and soot will quickly build up on the window and in the chimney. Not only that, the quantity of soot particles you emit into the environment will be disproportionately high.

Next to each of the stoves in this magazine, you will be able to see what room sizes they suit best. The room size is a guideline, as it can depend on the design and insulation etc. of the premises.

## **A long history. Told in brief.**

The history of Morsø Jernstøberi dates all the way back to 1853, when business graduate, N. A. Christensen, started his own iron foundry on the Limfjord island of Mors. In the first few years, the small handful of employees manufactured everything from barn windows and memorial crosses to cooking stoves, pots and pans.

However, N. A. Christensen wasn't just your usual business man. With his well-honed talent for good business and his many creative and forward-thinking ideas, he quickly succeeded in turning the company into one of the country's leading iron foundries, and towards the close of the century, Morsø's cast goods were well-known throughout the country. Especially the popular solid fuel stoves and cooking stoves, which had now become the company's most important brand.



**Over the years**, the design of the Morsø stove has been continuously developed, always following the times and fashions – but never forgetting the loyalty and dedication to cast iron and heart. Traditional does not mean old-fashioned at Morsø.



### **Royal warmth**

At the turn of the century, Morsø began supplying heating systems to churches, schools and a number of public buildings, including the state railways and various ministries. And at the start of the 1900s, the popular imperial-style stoves found their way into the royal apartments at Amalienborg. In 1915, various stoves had already been supplied to the palaces at Amalienborg and to several other royal residences, and the company was therefore bestowed the prestigious title of Purveyor to His Majesty the King by King Christian X. Later, in 1969, the title was changed to Purveyor to the Royal Danish Court.

### **Always in front**

Right from the earliest years, development and innovation have been an important driving force for Morsø Jernstøberi. Various history-making products and principles have, therefore, put the beautiful island in Limfjord on the map. For example, the convection principle, which at the turn of the new century was developed in cooperation with other



foundries, and which has set completely new standards on how efficiently and especially how comfortably we can heat our homes with a solid fuel stove.

When central heating and, therefore, radiators began to make their mark in Danish homes in the 1950s, the solid fuel stove was out of fashion. But Morsø showed once again that it had its finger on the pulse, when the revolutionary open fireplace stove, the 1122, was launched. In so doing, Morsø opened up a completely new market and a completely new way of making life warmer, in both senses of the word.

In summary, Morsø has, step by step, led the way in both new designs and new ways of combining form and function; efficiency with beauty and comfort – and also in recent years with environmental awareness.

MORSE





## **Morsø and the environment**

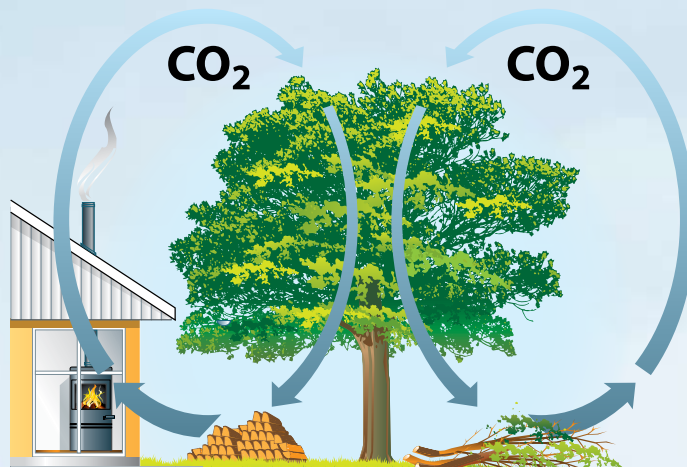
In recent years we've all heard people talking about "CO<sub>2</sub> emissions" and "global warming". At the same time, out of the enormous focus on the world's climate problems, a new and stronger awareness has grown of how, through our various choices, we are contributing to the problem. Or to the solution. On the following pages, we have set out some of the facts about Morsø and the environment.

## **Morsø gives you local warming. Not global warming.**

Wood has quite a special property when talking about CO<sub>2</sub>. As the tree grows, it absorbs and locks in enormous amounts of carbon dioxide as part of the photosynthesis process. Precisely the same amount of CO<sub>2</sub> is released into the atmosphere, when the tree is felled and burnt. If burning-off takes place efficiently, the count adjusts downwardly, so we can say that wood is CO<sub>2</sub>-neutral and therefore a green energy source.

Not only that, wood – unlike e.g. oil, coal or gas - can be reproduced by planting new trees to replace those cut down. The neutral CO<sub>2</sub>-cycle can therefore be maintained. Generation after generation.

To bring the CO<sub>2</sub> count completely down to zero, the wood, as mentioned above, must be burnt off as efficiently as possible. And this is where Morsø's stoves score their first important points. Our many years of experience and constant development mean that, today, each and every one of our stoves are among the most efficient combustion systems in the world.



### Did you see smoke?

On the one side, there's talk about CO<sub>2</sub> and global warming. On the other, there's the recurring debate about soot, which, along with harmless water vapour, is contained in the smoke emitted from a stove. Are soot particles harmful to health? Under what conditions? If so, at what quantity does it become a problem? Whatever the case, we should use our stoves so that no smoke comes out the chimney. Even if the smoke isn't harmful, it can smell and be unnecessarily unpleasant for our neighbours.

There is still uncertainty surrounding the answers. So, it is precisely for this reason that we have decided to put every effort into the development of our stoves. If there's one thing we won't under any circumstances take any chances with it's our customers' health. The demonstrable result is that the emission of particles from a modern Morsø stove has been reduced to an absolute minimum through refined combustion technology and advanced purification systems.

The fact that the quantity of particles emitted depends very much on how you use your stove is a completely different matter. We'll come to that in the next few pages.

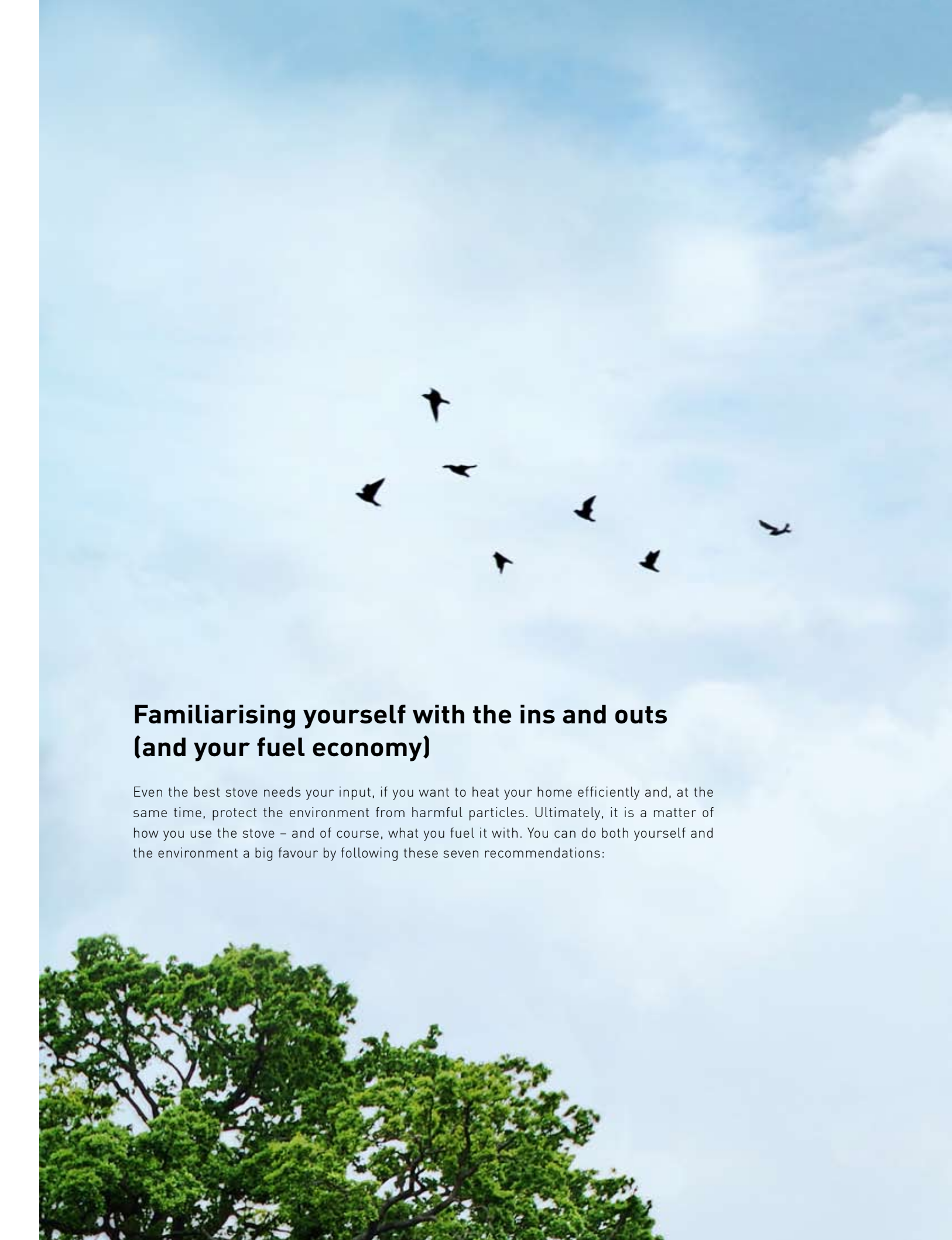
## Safety is standard

Morsø's wood-burning stoves meet some of the strictest environmental standards in the world. This mainly applies to Norwegian Standard NS 3058/3059, which sets out stringent requirements on minimising particle emissions. To highlight our environmental focus, the majority of Morsø's stoves are, today, also certified to the Nordic Swan Eco-label. This not only focuses on minimising the stove's impact on the environment when in operation, it also focuses on the impact on the environment caused by the actual production and choice of packaging etc.

A range of our stoves are approved in the UK by Defra to burn wood in smoke controlled areas.

All our stoves comply with European Standard EN 13240, which, in other words, means that the stoves are CE-marked.





## **Familiarising yourself with the ins and outs (and your fuel economy)**

Even the best stove needs your input, if you want to heat your home efficiently and, at the same time, protect the environment from harmful particles. Ultimately, it is a matter of how you use the stove – and of course, what you fuel it with. You can do both yourself and the environment a big favour by following these seven recommendations:

**You can do both yourself and the environment a big favour by following these recommendations:**

1. Choose a stove which complies with the strictest requirements on particle emissions.
2. Make sure your chimney is the correct size in relation to the stove. A good draw is essential for optimum combustion.
3. Never burn waste, cardboard packaging, printed matter or wood that has been painted or in some other way treated.
4. Make sure the wood is clean and dry. Dampness of max 16-20% gives the best and cleanest combustion (and also less soot on the glass).
5. Never overfill the stove and avoid using oversized pieces of fuel.
6. Air is important for good combustion and good economy. Before the wood carbonises, enough air needs to be added so that flames are produced (always read the manual – it's important).
7. Don't leave the stove burning overnight. Leaving your stove burning overnight is bad for your wallet and the environment.

**Learn to light a fire correctly:**



Make sure you have everything within reach before lighting. 2-3 cm ash makes a sufficient base for the fire.



Open the air supply up fully.



Arrange a pile of dry kindling, approx. 1-2 kg, enough to create a good layer of embers. Light the fire lighters. Leave the stove door ajar.



After 5-10 min. the heat will create a draw through the chimney and the door can be closed. After a further 10-20 min. there will be a good layer of embers in the chamber. Use a poker to spread the embers around the bottom and add more fuel.



Place larger pieces of fuel on top of the kindling.



Once the fire has flared up, tighten up the air supply by adjusting the air valve, but always make sure there are flames still. All Morsø stoves are suitable for wood and briquettes.

## **It's not just our stoves which are environmentally friendly**

In full keeping with the spirit of the times, the environment plays an important role at Morsø Jernstøberi. And it has done, long before it became fashionable to think along such green lines.

What we should be saying is, what is it that can help make your Morsø stove even more the right environmental choice?





---

### **Recycled iron**

99 percent of the cast iron in a Morsø stove comes from scrap which has been re-smelted. This is particularly good for the environment. It's quite fascinating to think that your new stove might have once been a bicycle.

Or a lamp post. Or a ...

---

### **Sustainable energy**

It's no secret that too much energy is used in manufacturing. Far too much, even. We therefore make sure that at least 80 percent of our energy consumption comes from sustainable energy sources, mainly wind energy. You won't find such a high percentage in many other companies (May 2009).

---

### **Recycled packaging**

When you receive your Morsø stove from the dealer, it will be packed in recycled paper. We also use minimum print colours in the packaging – and the small amount we do use is solely water-based.

---

### **Waste sorting**

There's nothing that's so useless it can't be used for something. We take this quite literally at Morsø Jernstøberi, where the vast majority of our waste is sorted and reused for the benefit of the environment. This applies, in particular, to surplus or scrapped stoves or cast iron plates, which are sent off for re-smelting. You can see that we take this seriously by, the fact that our sorting centre is certified to the international standard for environmental management, ISO 14001.

---

## From Klint to Ritterband

People from all over the world have marvelled at Danish design for many years. Through their unique creativity, various Danish architects and designers have put themselves and Denmark on the world map.

At Morsø Jernstøberi we have a long tradition of allowing some of these people to unleash their talents on new models.

One of the earlier ones was the architect, **Kaare Klint**, who, up until his death in 1954, left many an unforgettable mark on Danish furniture art and furnishings. In 1944, Kaare Klint designed a quite special stove for Morsø. The stove was decorated with a poem by Johannes V. Jensen, who, that same year, received the Nobel Prize for Literature.

Another big designer, who lent his creativity to Morsø's stoves, is **Sigvard Bernadotte**. He is particularly famous for his many years of work for Georg Jensen's Silversmiths. In the late 1940s, together with the designer, Acton Bjørn, he set up an industrial design studio, where, in the next few years, innumerable design classics were created, including the Margrethe bowl (designed by a then very young employee of the studio called Jacob Jensen). At the start of the sixties, Bjørn and Bernadotte started to design for Morsø Jernstøberi, which resulted in an elegant, enamelled stove and a series of beautiful cast-iron pots.

In 2008, Morsø Jernstøberi started an exciting collaboration with one of today's most interesting artists, **Monica Ritterband**. She has designed a unique and optimistic range of accessories entitled "Feet". The range, which like the stove is made from cast iron, comprises a kettle, firewood holder, trivets and fire tools.







# 1400



Multifuel

Morsø 1410 radiant stove

## 1410

Rated output: . . . . . 4.5 kW  
 Log length: . . . . . 28 cm  
 Flue outlet, rear and top option,  
 internal ø: . . . . . 125 mm  
 Weight: . . . . . 70 kg  
 Standard Leg length . . . . . 100 mm  
 Leg Options . . . . . 150 mm/250 mm  
 Efficiency net/gross: . . . . . 76/69%

Approved to: EN 13240 class 1

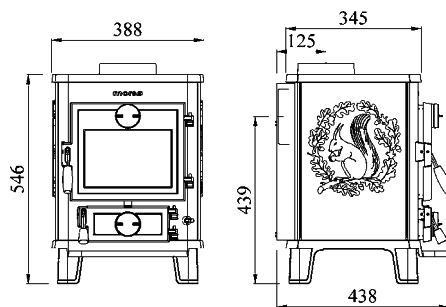
Clearances to Combustibles

Top: . . . . . 500 mm  
 Sides: . . . . . 600 mm  
 Rear: . . . . . 100 mm  
 Soft Furniture: . . . . . 700 mm

Optional boiler for Morsø 1410 Squirrel: . . . . . 8000 BTU

Tapping location:

Horizontal centreline: . . . . . 230 mm  
 From top to centreline: . . . . . 74 mm  
 Vertical centreline . . . . . 228 mm  
 Tapping diameter: . . . . . 1" BSP





Multifuel

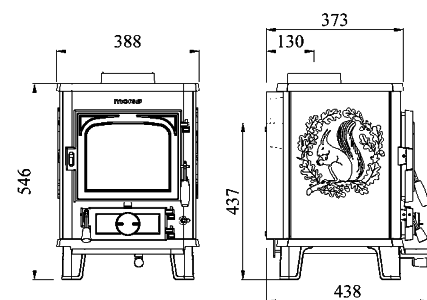
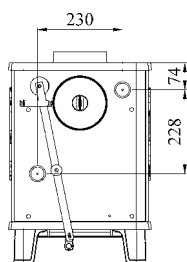
**Morsø 1400-series** A steady beating heart. The Morsø 1400 is the quintessence of a charming stove. It represents what was the heart of many a home, what we know and remember from our childhood. The combustion technology of these classic stoves have since then been further developed and improved so that harmful particles and surplus gasses are burnt off. That's why, today, the stoves fulfil the strictest environmental requirements and also bear the Nordic Swan Eco-label. Despite all improvements in technology there are some details which remind timeless and a sign of quality, so Morsø's characteristic squirrel can still be found on the sides. It also available with contemporary ribbed sides.

### 1430 / 1435

Rated output: . . . . . 4.6 kW  
 Log length: . . . . . 28 cm  
 Flue outlet, rear and top option,  
 internal ø: . . . . . 125 mm  
 Weight: . . . . . 75 kg  
 Standard Leg length . . . . . 100 mm  
 Leg Options: . . . . . 150 mm/250 mm  
 Approved to: EN 13240 class 1  
 Efficiency net/gross: . . . . . 71/64.6%

Clearance to Combustibles  
 Top: . . . . . 600 mm  
 Sides: . . . . . 500 mm  
 Rear: . . . . . 200 mm  
 Soft Furniture: . . . . . 650 mm

Optional boiler for Morsø 1430 Squirrel: . 8000 BTU  
 Tapping location:  
 Horizontal centreline: . . . . . 230 mm  
 From top to centreline: . . . . . 74 mm  
 Vertical centreline . . . . . 228 mm  
 Tapping diamenter . . . . . 1" BSP



# 3100



Multifuel

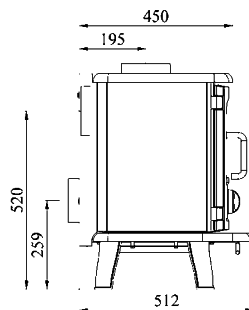
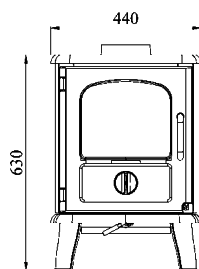
Morsø 3112 Badger radiant stove

## 3112



Rated output: . . . . . 5 kW  
 Log length: . . . . . 32 cm  
 Flue outlet, rear and top option, internal ø: 125 mm  
 Weight: . . . . . 95 kg  
 Standard Leg length . . . . . 150 mm  
 Leg Options . . . . . 210 mm  
 Efficiency net/gross: . . . . . 81/73,7%  
 EN 13240 class 1 and Norwegian approved

Clearance to Combustibles:  
 Top: . . . . . 600 mm  
 Sides: . . . . . 600 mm  
 Rear: . . . . . 200 mm  
 Soft Furniture: . . . . . 800 mm  
 Optional outside air kit





3142

Multifuel

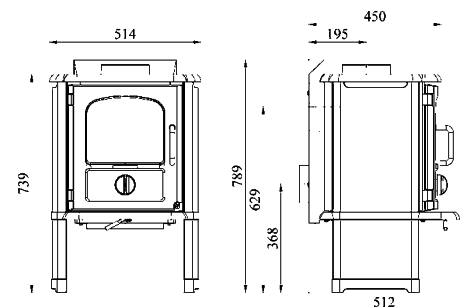
**Morsø 3100-series** Following a thorough, technical upgrade and a face lift, the stove stands out with a contemporary, elegant look and meets all the latest combustion principles. With the Morsø 3100 we are continuing all the best points from the classic Morsø stoves. The stoves are equipped with state-of-the-art tertiary combustion system and the large glass panel provides beautiful unobstructed viewing. The radiant model has fine ribbed sides and the convector model has plain sides. An optional outside air kit is also available for both models. Both models are approved by Defra to burn wood in smoke controlled areas.

3142



Rated output: . . . . . 5 kW  
 Log length: . . . . . 30 cm  
 Flue outlet, rear and top option, internal ø: 125 mm  
 Weight: . . . . . 120 kg  
 Efficiency net/gross: . . . . . 81/73,7%  
 EN 13240 class 1 and Norwegian approved

Clearance to Combustibles:  
 Top: . . . . . 600 mm  
 Sides: . . . . . 400 mm  
 Rear: . . . . . 150 mm  
 Soft Furniture: . . . . . 800 mm  
 Optional outside air kit



# 3400



Multifuel

Morsø 3410 Owl radiant stove.

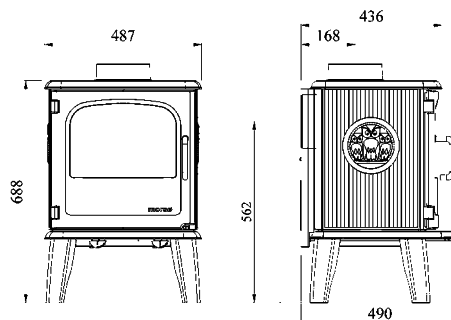
## 3410



Rated output: . . . . . 6.5 kW  
 Log length: . . . . . 36 cm  
 Flue outlet, rear and top option, internal ø: . . . 155 mm  
 Weight: . . . . . 100 kg  
 Efficiency net/gross: . . . . . 80,1/72,9%  
 EN 13240 class 1 and Norwegian approved

Clearance to Combustibles:

Top: . . . . . 600 mm  
 Sides: . . . . . 300 mm  
 Rear: . . . . . 200 mm  
 Soft Furniture: . . . . . 800 mm



**Morsø 3440** We designed the stove together with the well-known, English design company, Queensbury Hunt Levien, retaining the classic Morsø lines and stylish look, while also integrating an advanced combustion system. The wide door with large stove glass provides a wonderful view of the flames, helping create both mood and heat in the home. The 3400-series comprises three stoves: A 3410 radiant with owl motif, a 3420 radiant with ribbed sides and the 3440 convector with plain sides. All three stoves are approved by Defra to burn wood in smoke controlled areas.



Morsø 3440  
Owl convector

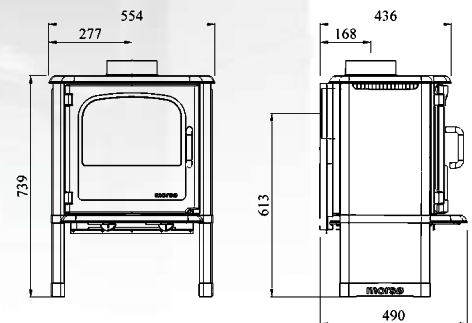
Multifuel

**3440**



Rated output: . . . . . 6.5 kW  
 Log length: . . . . . 36 cm  
 Flue outlet, rear and top option, internal ø: 155 mm  
 Weight: . . . . . 116 kg  
 Efficiency net/gross: . . . . . 80,1/72,9%  
 EN 13240 class 1 and Norwegian approved

Clearance to Combustibles:  
 Top: . . . . . 600 mm  
 Sides: . . . . . 600 mm  
 Rear: . . . . . 200 mm  
 Soft Furniture: . . . . . 800 mm



# 2100



Multifuel

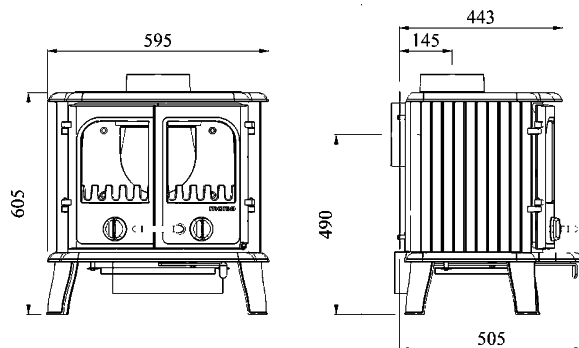
Morsø 2110 Panther Cleanheat radiant stove

## 2110

Rated output: . . . . . 9 kW  
 Log length: . . . . . 40 cm  
 Flue outlet, rear and top option, internal ø: 155 mm  
 Weight: . . . . . 125 kg  
 Standard Leg length . . . . . 150 mm  
 Leg Options . . . . . 250 mm  
 Efficiency net/gross: . . . . . 72/65,5%  
 EN 13240 class 1 approved

Clearance to Combustibles:

Top: . . . . . 500 mm  
 Sides: . . . . . 200 mm  
 Rear: . . . . . 200 mm  
 Soft Furniture: . . . . . 800 mm







2140

Woodburning

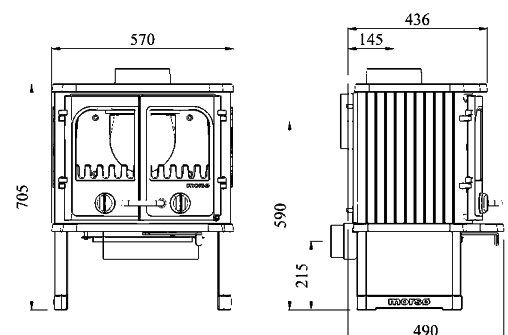
**Morsø 2100-series** Nostalgic look, glowing with English charm. The cast-iron stove, which is very spacious and effective, was the creation of the English designers, Queensbury Hunt. Together with the English designers, we have created a powerful stove, which is a true representative of the proud Morsø tradition. The Morsø 2100-series has an extra wide combustion chamber, allowing the use of large-sized fuel. At the same time, the width of the doors facilitate large glass windows, allowing you to gaze at the slow crackling fire.

### 2140

Rated output: . . . . .	5.6 kW
Log length: . . . . .	36 cm
Flue outlet, rear and top option, internal ø: . . . . .	155 mm
Weight: . . . . .	120 kg
Efficiency net/gross: . . . . .	76/69.2%
EN 13240 class 1 approved	

#### Clearance to Combustibles:

Top: . . . . .	500 mm
Sides: . . . . .	200 mm
Rear: . . . . .	150 mm
Soft Furniture: . . . . .	800 mm





Multifuel

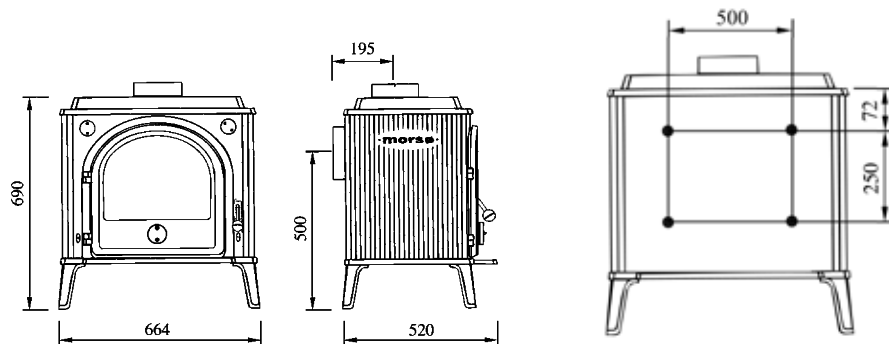
**Morsø 1630** The Dove has a completely traditional stove style, with its fine large door with curved glass, helping to emphasise the cosiness and create a romantic look. The stove was designed at Morsø in 1985 and has always been one of the more popular styles. The 1630 has a nostalgic look with added charm, making it ideal for older homes or country homes. Two models are available: one dry and one drilled to take on optional 34.000 BTU boiler.

**1630**

Rated output: . . . . . 10.5 kW  
 Log length: . . . . . 40 cm  
 Flue outlet, rear and top option, internal ø: 155 mm  
 Weight: . . . . . 122 kg  
 Standard Log length . . . . . 150 mm  
 Leg Options . . . . . 100/250 mm  
 Efficiency net/gross: . . . . . 74/64,3%  
 EN 13240 class 1 approved

Optional boiler for Morsø 1630 Dove: 34000 BTU  
 Tappings locations:  
 Horizontal centreline: . . . . . 500 mm  
 From top to centreline: . . . . . 72 mm  
 Vertical centreline: . . . . . 250 mm

Clearances to Combustibles:  
 Top . . . . . 600 mm  
 Sides . . . . . 550 mm  
 Rear . . . . . 800 mm





Wood Burning

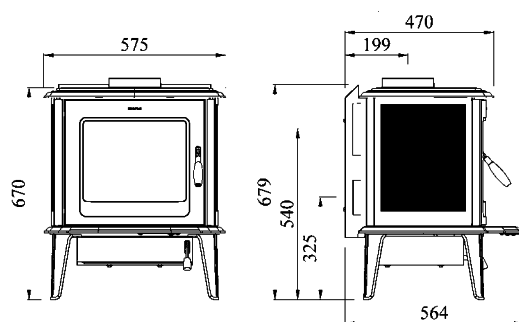
**Morsø 7110** Simple and aesthetic design. The family relationship to Morsø's world-famous stove is clear to see in this stove, designed by Morsø's designer, Karsten Aagaard. The stove was designed with one door to allow the easy insertion of fuel, and also has a separate door for ash pan removal. It radiates unbelievable beauty with its fluted sides, giving it a completely unique and beautiful look. The stylish glass door without distracting bars gives a fantastic view of the dancing flames. An optional outside air kit is available for this model.

### 7110

Rated output: . . . . . 5.4 kW  
 Log length: . . . . . 40 cm  
 Flue outlet, rear and top option, internal ø: . . . . . 155 mm  
 Weight: . . . . . 140 kg  
 Efficiency net/gross: . . . . . 75,5/68,7%  
 EN 13240 class 1 approved

#### Clearance to Combustibles:

Top: . . . . . 500 mm  
 Sides: . . . . . 500 mm  
 Rear: . . . . . 150 mm  
 Soft Furniture: . . . . . 1000 mm  
 Optional outside air kit



# 3600



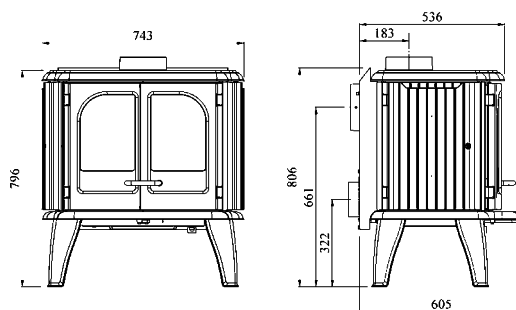
Wood Burning

## 3610

Rated output: . . . . . 9.8 kW  
Log length: . . . . . 55 cm  
Flue outlet, rear and top option, internal ø: . . . . . 155 mm  
Weight: . . . . . 220 kg  
Efficiency net/gross: . . . . . 74/67,3%  
EN 13240 class 1 approved

### Clearance to Combustibles:

Top: . . . . . 600 mm  
Sides: . . . . . 400 mm  
Rear: . . . . . 200 mm  
Soft Furniture: . . . . . 1000 mm  
Optional outside air kit





Morsø 3610 radiant stove



The **Morsø 3600 radiant stove** is a large, well designed heat source perfect when you need to heat a large area. This cast iron stove was designed by the well known english design company Studio Levien. The stove is not only an optimal design, but will take an extra large log up to 55 cm. The stove has an additional side door for convenient loading. A classic Morsø design this cast iron beast will watch over your home like a tame dragon. An optional outside air kit is available for this model.

# 8100

The **Morsø 8100-series** comprises 3 cast-iron stoves, which set new standards in stove design both in terms of functionality and aesthetics. The stove has a clean and simple design, where the combination of soft, rounded contours and simple details give the stove a light and timeless look. This guarantees you a classically beautiful stove that will last for decades, while the cast iron's raw and living structure will provide both a rustic and exclusive tone. The flexibility of working with cast iron has enabled us to design a number of details for the stove, which will warm your spirit not just your home. The Morsø 8100 is also available on a pedestal (8147), giving the stove an airy and elegant appearance. The stove's large glass area provides a feeling of watching an open fire. An optional outside air kit is available for all three models.



Morsø 8140



Morsø 8147

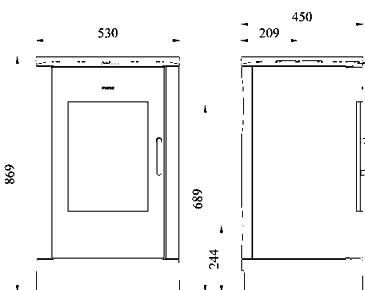
## Wood Burning

### 8140 with low base



Rated output: . . . . . 7 kW  
 Log length: . . . . . 30 cm  
 Flue outlet, rear and top option,  
 internal ø: . . . . . 155 mm  
 Weight: . . . . . 187 kg  
 Efficiency net/gross: . . . . . 80,5/73,3%  
 EN 13240 class 1 and Norwegian approved

Clearance to Combustibles:  
 Top: . . . . . 600 mm  
 Sides: . . . . . 500 mm  
 Rear: . . . . . 150 mm  
 Soft Furniture: . . . . . 1100 mm  
 Optional outside air kit



## Wood Burning

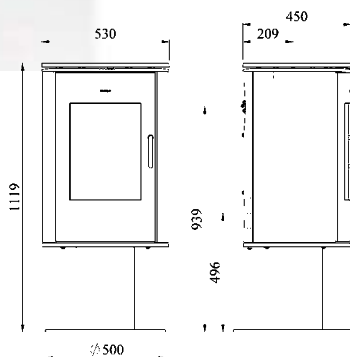
### 8147 with pedestal and rotatable plinth



Rated output: . . . . . 7 kW  
 Log length: . . . . . 30 cm  
 Flue outlet, rear and top option,  
 internal ø: . . . . . 155 mm  
 Weight: . . . . . 187 kg  
 Efficiency net/gross: . . . . . 80,5/73,3%  
 EN 13240 class 1 and Norwegian approved

Clearance to Combustibles:  
 Top: . . . . . 600 mm  
 Sides: . . . . . 500 mm  
 Rear: . . . . . 150 mm  
 Soft Furniture: . . . . . 1100 mm

*Morsø 8147 rotates up to 90°.*  
*Morsø 8148 is fixed pedestal.*  
 Optional outside air kit





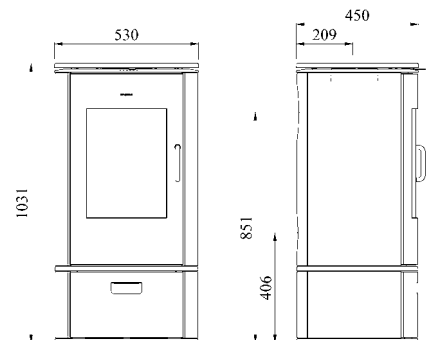
Wood Burning

**8142 with log drawer**



Rated output: . . . . . 7 kW  
 Log length: . . . . . 30 cm  
 Flue outlet, rear and top option,  
 internal ø: . . . . . 155 mm  
 Weight: . . . . . 152 kg  
 Efficiency net/gross: . . . . . 80,5/73,3%  
 EN 13240 class 1 and Norwegian approved

Clearance to Combustibles:  
 Top: . . . . . 600 mm  
 Sides: . . . . . 500 mm  
 Rear: . . . . . 150 mm  
 Soft Furniture: . . . . . 1100 mm  
 Optional outside air kit









**Who says that the flames in a stove can only be enjoyed from the front?**

# 8180

**Morsø 8180-series** Who says that the flames in a stove can only be enjoyed from the front? With the Morsø 8180, we've expanded on the popular 8100 series and opened up more dimensions. By adding elegant side windows, you can see inside to the living heart of the stove from three sides of the room. We also think that the extra windows make the stove lighter and even more elegant. Not only is it beautiful to look at, with a single handle you can control the air intake, combustion and heat output. The Morsø 8180 also delivers first-class combustion, so that you not only benefit from exceedingly economical heat, but also the environment benefit, so your conscience will be as clear as the emissions from your flue. The series comprises 3 models: The Morsø 8180 with low base, the 8182 with log drawer and the Morsø 8188 on a pedestal. An optional outside air kit is available for all three models.



Morsø 8180



Morsø 8182  
convector

## Wood Burning

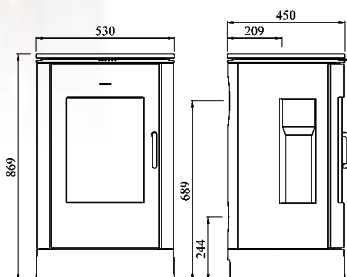
### 8180 on low base



Rated output: . . . . . 7 kW  
 Log length: . . . . . 30 cm  
 Flue outlet, rear and top option,  
 internal ø: . . . . . 155 mm  
 Weight: . . . . . 152 kg  
 Efficiency net/gross: . . . . . 80,8/73,5%  
 EN 13240 class 1 and Norwegian approved

#### Clearance to Combustibles:

Top: . . . . . 600 mm  
 Sides: . . . . . 500 mm  
 Rear: . . . . . 150 mm  
 Soft Furniture: . . . . . 1100 mm  
 Optional outside air kit



All measurements are given in mm.

## Wood Burning

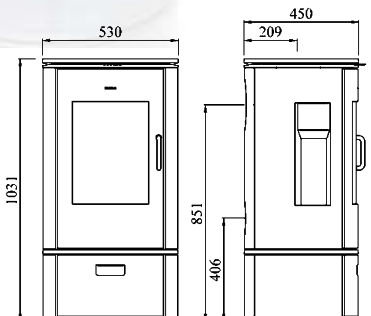
### 8182 with log drawer



Rated output: . . . . . 7 kW  
 Log length: . . . . . 30 cm  
 Flue outlet, rear and top option,  
 internal ø: . . . . . 155 mm  
 Weight: . . . . . 178 kg  
 Efficiency net/gross: . . . . . 80,8/73,5%  
 EN 13240 class 1 and Norwegian approved

#### Clearance to Combustibles:

Top: . . . . . 600 mm  
 Sides: . . . . . 500 mm  
 Rear: . . . . . 150 mm  
 Soft Furniture: . . . . . 1100 mm  
 Optional outside air kit





Wood Burning

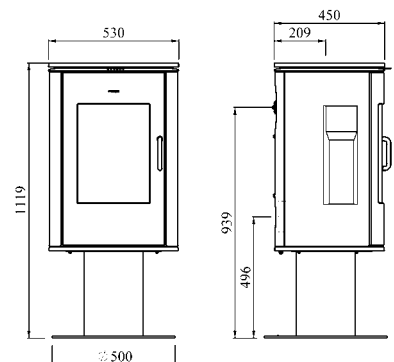
### 8188 on pedestal



Rated output: . . . . . 7 kW  
 Log length: . . . . . 30 cm  
 Flue outlet, rear and top option, internal ø: 155 mm  
 Weight: . . . . . 184 kg  
 Efficiency net/gross: . . . . . 80,8/73,5%  
 EN 13240 class 1 and Norwegian approved

#### Clearance to Combustibles:

Top: . . . . . 600 mm  
 Sides: . . . . . 500 mm  
 Rear: . . . . . 150 mm  
 Soft Furniture: . . . . . 1100 mm  
 Optional outside air kit



# 5660



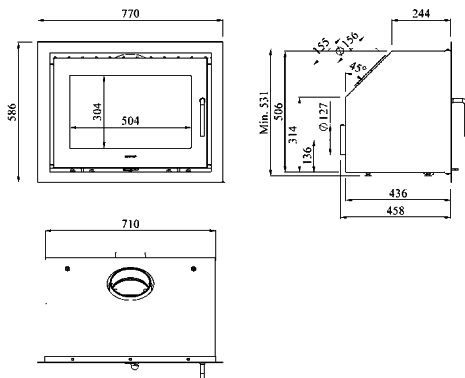
Wood Burning

## 5660



Rated output: . . . . . 6.6 kW  
 Log length: . . . . . 50 cm  
 Flue outlet, rear and top option, internal  $\varnothing$ : 155 mm  
 Weight: . . . . . 125 kg  
 Efficiency net/gross: . . . . . 75/68,3%  
 EN 13240 class 1 and Norwegian approved

Clearance to Combustibles:  
 Top: . . . . . 600 mm  
 Sides: . . . . . 500 mm  
 Rear: . . . . . 150 mm  
 Soft Furniture: . . . . . 1100 mm  
 Uninsulated



Morsø 5660 insert



The **Morsø 5660** is a new and advanced fireplace insert, which fully lives up to our craftsmanship traditions. The design is strict, modern and stylish, while the cast iron's raw and living structure gives the insert a rustic tone. Our innovative insert has an advanced combustion system supplied with tertiary air, enabling the stove to comply with the strictest, modern requirements for environmentally-conscious heating. The fireplace has an extra large combustion chamber which can accommodate logs of up to 50 cm – for those cold winter evenings. An optional outside air kit is available for this stove.

# 5060

Morsø 5060 insert cleanheat convector



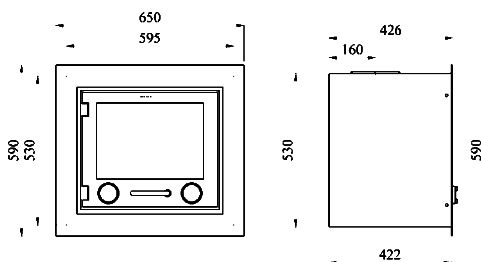
Wood Burning

## 5060

Rated output: . . . . . 5.8 kW  
 Log length: . . . . . 35 cm  
 Flue outlet, rear and top option, internal ø: . . . . 155 mm  
 Weight: . . . . . 100 kg  
 Efficiency net/gross: . . . . . 70/63,7%  
 EN 13240 class 1 approved

Recommended minimum and maximum fireplace opening  
 Height: . . . . . 540/585 mm  
 Width: . . . . . 610/640 mm  
 Depth: . . . . . 430/- mm

Clearance to Combustibles:  
 Soft Furniture: . . . . . 1000 mm



The **Morsø 5060** is an impressive upgrade of the fireplace, which allows you to make optimum use of the fire's heat. We have created this convection fireplace insert with top cast-iron quality. The cast iron enables the heat to be retained for longer – giving, together with the inward view of the crackling fire behind the wide glass window, an impression of an open fireplace.



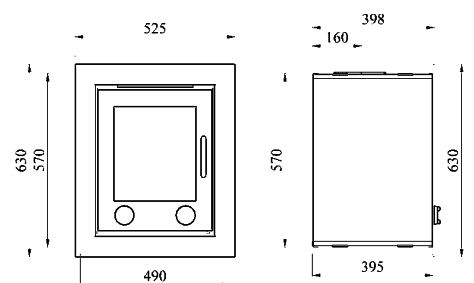
**Morsø 4560** insert Cleanheat Convector - taking modernism to the limit, this inset single door convector stove offers you a "window of fire". The airwash system will keep the glass clear whilst the inset style will allow for an almost flush fit. The combustion system is simple but extremely environmentally friendly, making this truly the "new generation".

**4560**

Rated output: . . . . . 4.2 kW  
 Log length: . . . . . 30 cm  
 Flue outlet, rear and top option, internal ø: . . . . 155 mm  
 Weight: . . . . . 82 kg  
 Efficiency net/gross: . . . . . 72/65,5%

Recommended minimum and maximum fireplace opening:

Height . . . . . 620 mm  
 Width . . . . . 510 mm  
 Approved to EN: 13240 class 1  
 Clearance to Combustibles  
 Soft furniture . . . . . 1000 mmm





The **Ø Collection** has been produced to meet the exacting standards of today's modern world. Style and function is the main philosophy behind the design, with special emphasis on simple operation and environmental impact. All three models capture the contemporary integration of steel and cast iron. The Ø collection uses our state of the art airwash system to allow you perfect viewing of the dancing flames through the large windows.

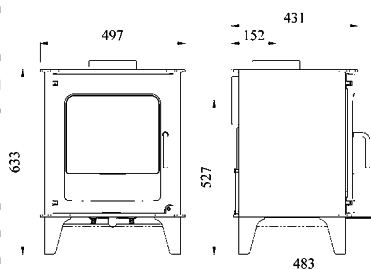


### Multifuel

#### Ø6

Rated output: . . . . . 7.7 kW  
 Log length: . . . . . 37 cm  
 Flue outlet, rear and top option,  
 internal ø: . . . . . 150 mm  
 Weight: . . . . . 110 kg  
 Efficiency net/gross: . . . . . 75/68,3%  
 EN 13240 approved

Clearance to Combustibles:  
 Top: . . . . . 600 mm  
 Sides: . . . . . 600 mm  
 Rear: . . . . . 700 mm  
 Soft Furniture: . . . . . 1100 mm

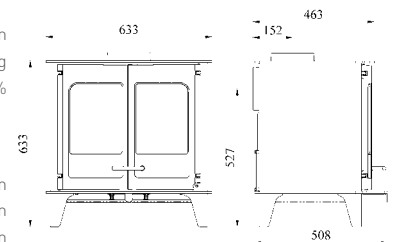


### Multifuel

#### Ø8

Rated output: . . . . . 9.3 kW  
 Log length: . . . . . 50 cm  
 Flue outlet, rear and top option,  
 internal ø: . . . . . 150 mm  
 Weight: . . . . . 130 kg  
 Efficiency net/gross: . . . . . 75/65,5%  
 EN 13240 approved

Clearance to Combustibles:  
 Top: . . . . . 600 mm  
 Sides: . . . . . 850 mm  
 Rear: . . . . . 850 mm  
 Soft Furniture: . . . . . 1100 mm





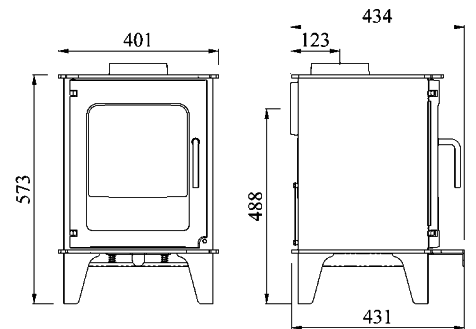


Multifuel

Ø4

Rated output: . . . . . 5 kW  
 Log length: . . . . . 28 cm  
 Flue outlet, rear and top option,  
 internal ø: . . . . . 125 mm  
 Weight: . . . . . 88 kg  
 Efficiency net/gross: . . . . . 81/73,7%  
 EN 13240 approved

Clearance to Combustibles:  
 Top: . . . . . 600 mm  
 Sides: . . . . . 550 mm  
 Rear: . . . . . 650 mm  
 Soft Furniture: . . . . . 700 mm

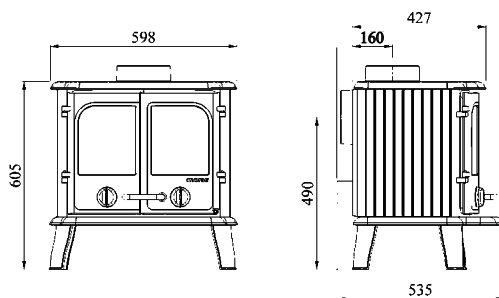


## 2100 Panther Gas



### 2100 Panther Gas

Max/min. input, Natural gas	6.8/3.1 kWh
Max/min input, LPG	6.8/3.0 kWh
Max/min output, Natural gas	4.9/2.2 kWh
Max/min output, LPG	4.9/2.1 kWh
Efficiency	72%
Flue outlet, rear and top option,	
internal Ø	155 mm
Standard Leg Length	150 mm
Optional Leg Length	250 mm
Weight	90 kg

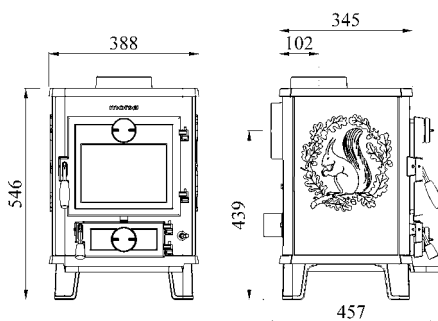
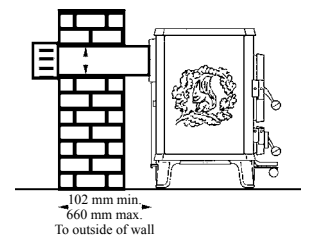


The **Morsø 2100 Panther Gas** has a typical Morsø design with classic elegant lines and delicately ribbed side plates that makes this stove aesthetically-suited for both traditional and contemporary designed homes. With its reversible flue collar, the Morsø 2100 Panther Gas stove can be installed either freestanding or into a fireplace. With its 4.9 kW output, the sleek black Morsø 2100 Panther Gas is the natural choice for any medium sized room, and like every Morsø 2100 Panther, it is extremely quiet. LPG conversion kit available.

# 1400 Squirrel Gas



Modelled on the best selling **Morsø 1400 Squirrel Cleanheat** every effort has been made to reproduce the realism and efficiency, but with the use of gas. Compact and economical to run, the Squirrel Gas can be installed into almost any chimney or flue. The Squirrel Gas Balanced Flue is designed to flue through an outside wall, making it ideal for homes without chimneys and for conservatories. LPG conversion kits are available for both models.




## 1400 Squirrel Gas, open flue

Max/min. input, Natural gas . . . . . 5.7/1.7 kWh  
 Max/min input, LPG . . . . . 5.1/1.9 kWh  
 Max/min output, Natural gas . . . . . 3.8/1.1 kWh  
 Max/min output, LPG . . . . . 3.4/1.2 kWh  
 Efficiency . . . . . 67%  
 Flue outlet, rear and top option,  
 internal Ø . . . . . 125 mm  
 Standard Leg Length . . . . . 100 mm  
 Optional Leg Length . . . . . 150/250 mm  
 Weight . . . . . 60 kg

## 1400 Squirrel Gas, balanced flue

Max/min. input, Natural gas . . . . . 4.3/1.5 kWh  
 Max/min input, LPG . . . . . 4.6/1.6 kWh  
 Max/min output, Natural gas . . . . . 3.6/1.2 kWh  
 Max/min output, LPG . . . . . 3.8/1.3 kWh  
 Efficiency . . . . . 84%  
 Flue outlet, rear and top option,  
 internal Ø . . . . . 155 mm  
 Standard Leg Length . . . . . 100 mm  
 Optional Leg Length . . . . . 150/250 mm  
 Weight . . . . . 60 kg





Your Morsø is your trusty source of comfort, you will love its sound, look and warmth. And its glow of happiness will spread throughout the house year after year.



## LOOP LOG RING & FIREPLACE TOOL SET

Morsø Loop is the epitome of contemporary design. Loop is a series of unique and user friendly fireside accessories, made to compliment your New Morsø stove. The new loop Log Ring is designed to neatly and cleanly stack firewood logs. It incorporates a soft rubber handle for carrying comfort and a soft rubber mat/tray to catch any dust or debris.

# Original accessories

It's not just the wood-burning stove itself that emits the special atmosphere of warmth and comfort in your home. With original accessories from Morsø you can dot the i's and cross the t's and raise the standard of your stove, fire and tools. At the same time, a flue gas thermometer and a humidity meter from Morsø can help you use your stove efficiently, economically and with respect for the environment.



## MORSØ FIRE TOOLS CHOICE

Morsø Fire Tools Choice is designed in a combination of stainless steel and powder-black paint. It can be turned around to discreetly hide the tools if needed. Height: 60 cm.



## FIREPLACE TOOL SET

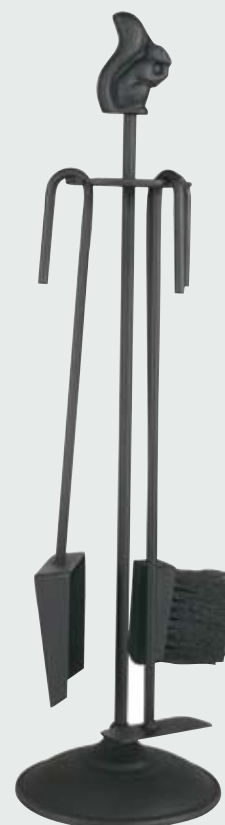
### COMPLETE

Complete Fireplace Tool Set is very well thought out and has clean lines, making it a perfect companion to Morsø's minimalist stoves. The tools are made of quality materials with great rubber grips. H: 40 x W: 20 x D: 10,7 cm



## MORSØ FIRE TOOLS CLASSIC

The classic Morsø fire tools are a three-piece set that come with a cast iron base, with the signature Morsø squirrel on top. Height: 69 cm.



## PERFECTION

Morsø Perfection is a stylish set of fire tools with clear-cut lines that will harmonise with your home décor. The three tools are neatly concealed behind a door, which is available as a left-hand or right-hand door. The tool set is made of high quality materials, each of the tools having a unique design. Height x Width x Depth: 48.5 x 24.5 x 13.5 cm

## MORSØ FIREWOOD BUCKET LARGE & SMALL

The Morsø Firewood Bucket is painted in a non-gloss powder coating that gives the bucket the same surface finish as a Morsø stove. Height x Diameter: 34 x 45 cm.



## MORSØ CHOICE FIREWOOD CARRIER

Elegant firewood container in a clean Scandinavian design that also can serve as storage for accessories such as matches, firestarters, etc. Morsø Canvas Wood Carrier is included. 23 1/4" [w] x 15.1/2" [d] x 13.0" [h]



## MORSØ FIREWOOD BOX

The Morsø Firewood Box is painted with a non-gloss powder coating that gives the same surface finish as a Morsø stove. Height x Width x Length: 30 x 38 x 45 cm. Morsø Canvas Wood Carrier is included.

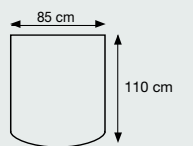
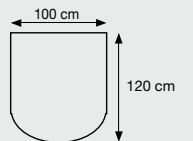


## MORSØ CANVAS WOOD CARRIER

This handy wood carrier is made of black canvas and has sturdy wooden handles.

## MORSØ HEARTH PLATES

Morsø offers a choice of hearth plates in glass. The Morsø glass hearth plate is made with 12 mm clear glass that has a specially bevelled edge to give the hearth plate an elegant and exclusive look.







### MORSØ MINI STOVES

The Morsø Mini Stoves are made from the same high-quality cast iron and with the same impeccable craftsmanship as a regular Morsø stove. It is a decorative addition to the home, and tea light can be used to add the cozy and familiar flame behind the glass.  
 1410: 10 1/2"(h) x 3"(w) x 7"(d)  
 2BUO: 10 1/2"(h) x 3"(w) x 7"(d)

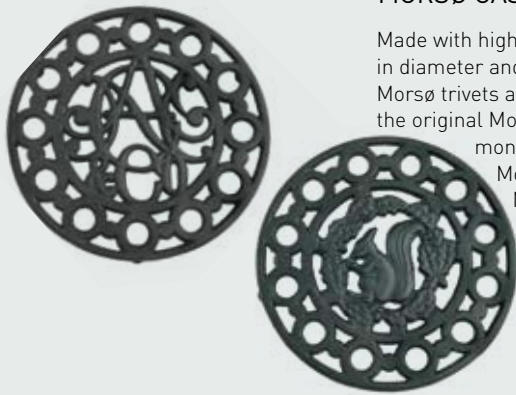


### MORSØ ASH AND STORAGE BUCKET

This four gallon bucket comes with a tight fitting lid to ensure containment of ashes until all embers are put out.  
 Height x Diameter 37 x 30 cm.

### MORSØ CAST IRON TRIVET

Made with high quality cast iron, the Morsø Trivet is 7.5 cm in diameter and has a matt-black enameled coating. Two Morsø trivets are available: the Classic Morsø Trivet with the original Morsø trademark from the 18th century monogrammed in the center; and the new Morsø Trivet that features the ever-popular Morsø squirrel.



### ASSEMBLY AND MAINTENANCE

Owning a stove is a commitment and you must take care of your Morsø stove if you want it to last a long time. In this regard we advice you to use only genuine Morsø materials for installation and regular maintenance.



### MORSØ SINUS MULTIBASKET

Sinus is novel design when it comes to firewood baskets. The innovative choice of material gives it a warm and fascinating expression. Available in two sizes and three colours: vanilla white, spicy red, mocca brown. These baskets are ideal for firewood as well as for newspapers or the children's toys.





### MORSØ MINI RANGE COOKER

The miniature Morsø cast iron cooking range has the same detailed craftsmanship as other Morsø products. It comes with a series of miniature cast iron kitchen utensils, which include four pots and one pan.



### MORSØ FLUE GAS THERMOMETER

The Morsø flue gas thermometer is attached to the flue pipe with a magnet and is used to measure the temperature of the smoke in the flue pipe right above the stove.



### MORSØ CAST IRON HUMIDIFIER

Morsø cast iron kettles are available in two sizes, 2.0 liter or 4.5 liter. Made of enameled cast iron, the kettles are suitable as humidifiers and as a decoration on the stove.



### MORSØ MOISTURE METER

Ensures that wood fuel has the correct moisture content thus maximizing fuel combustion and fuel efficiency.



### MORSØ CHILDGUARD

The Morsø Child Guard is an essential accessory for homes with children and pets. Efficient and elegant, this superbly constructed Morsø accessory is equipped with two side panels and wall fittings. Height x Width x Length: 70 x 110 x 110 cm.



### MORSØ LEATHER GLOVE

This practical protective glove is made with thick leather and is available in black with the Morsø logo in white. The gloves are available for both left and right hand.



