

The Premier Collection



Superior quality cast-iron fireplaces and stoves from



Contents

	Page
Anson Black	3
Anson Half Polish	4
Anson Full Polish	5
Majestic Arch	6
Ardley	7
Arklow	8
Anson with Deep SF Back	9
Ashbourne	10
Camden	11
Westminster Hob	12
Dublin	13
Aston	14
Roma	15
Oxford	16
Belfast	17
Liberty	18
Ashfield	19
Prince Basket with Adam Panels	20
Lions Basket with Reeded Panels	21
Newark 5 Stove	22
Oregon 7 Stove	23
Wood Mantel Options	24
Tiles and Sleeves	25
Integra and Electric Options	26
Specifications	27

Introduction

There can be little more inviting, or comforting, than the warmth and glow of a traditional cast-iron fireplace. Part of our cultural heritage, the beautiful cast-iron fireplace combined practical robustness with style and fashion, becoming the focal point of our room. These fires also provided the warmth needed during the cold winters of the last few centuries, burning natural coals supplied in abundance by the numerous mines up and down the country.

Today, due to environmental concerns, natural coal fires have been greatly restricted in our towns and cities, but the resilient cast-iron fireplace has remained with us, still capable of using solid fuel, but also having the option of using cleaner gas fire engines or electric alternatives.

Those requiring High Outputs and High Efficiency fires see Integra Options on page 26.

The Premier Collection is a comprehensive range of superior quality cast iron fireplaces, manufactured in the renowned Agnews foundry, the culmination of over 25 years experience in the casting and polishing processes. Take your time to enjoy this range of quality castings and admire the beautiful mantelpieces available in natural materials such as marble, granite, limestone, antiqued pine and traditional oak.

All mantelpieces are interchangeable and can be used with the casting of your choice. Whether your taste is for the timeless splendour of a traditional fireplace, or the more minimalist contemporary design, the Premier Collection will have something for you.

Internet Policy

We do not recommend purchasing a Premier fireplace online as it can be a complex product to order, deliver, assemble and install. Professional advice and experience are advisable as every fireplace and fitting is unique and is governed by regulation.

For this reason Cast Tec and its distributors only supply reputable outlets that display Premier products in a showroom, provide suitably qualified staff and use Gas Safe or HETAS registered fireplace installers.

To locate your nearest Retailer please use the contact details on the back cover.

Material Options



Carrara Marble



Crema Marfil



Black Granite



Turkish Limestone



Mocha Beige



Cast-iron



Solid Oak



Solid Pine



Anson Black

Cast	Anson Black
Mantel	Chelsea Mocha Beige
Fire-Back	Attached (Deep SF Option, see p9)
Hearth	Granite 1448mm x 432mm (57" x 17")
Gas	Cast Tec Arch (input 6.9kW)
Solid Fuel	SF Kit A
Electric	Electric Arch
Integra Options	Yes – see page 26 and Integra Collection brochure

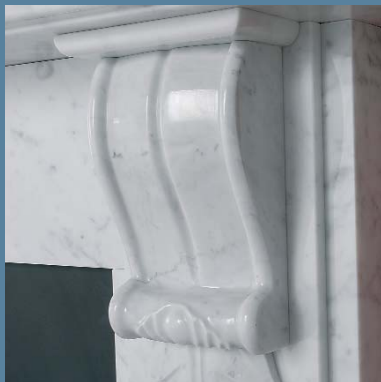
Anson *Half Polish*

The Anson is a plain arched insert with a contemporary feel and is shown here in a Half Polish Finish. A matt black outer band contrasts nicely with the white and grey colour of the William IV mantel shown



here in Carrara pure marble from Italy. An optional canopy is available to suit all the Anson designs.

Optional Canopy



Carrara Pure Marble

Cast	Anson <i>Half Polish</i>
Mantel	William IV Carrara Marble
Fire-Back	Attached (Deep SF Option - see p9)
Hearth	Granite 1448mm x 432mm (57" x 17")
Gas	Cast Tec Arch (<i>input 6.9kW</i>)
Solid Fuel	SF Kit A
Electric	Electric Arch
Integra Options	Yes - see page 26 and Integra Collection brochure



Anson *Full Polish*

The Anson is the jewel in the crown of the arched inserts and is shown here in a stunning Full Polish Finish. This contrasts magnificently with dark sheen of the Athena



mantel shown here in Shanxi Black Granite. An optional canopy is available to suit all the Anson designs.

Optional Canopy



Shanxi Black Granite



Cast	Anson <i>Full Polish</i>
Mantel	Athena Black Granite
Fire-Back	Attached (Deep SF Option - see p9)
Hearth	Granite 1448mm x 432mm (57" x 17")
Gas	Cast Tec Arch (<i>input 6.9kW</i>)
Solid Fuel	SF Kit A
Electric	Electric Arch
Integra Options	Yes – see page 26 and Integra Collection brochure

Majestic Arch

The Majestic Arch is basically an Anson sporting a simple polished arched band with a matt black background creating a rather minimalist feel. Shown inside the Flat Victorian mantel in Turkish Limestone the Majestic Arch would grace contemporary or traditional room settings.

The Flat Victorian mantel is also available in Carrara Pure Marble, Black Granite and Mocha Beige Marble.



Cast	Majestic Arch <i>Polished</i>
Mantel	Flat Victorian Turkish Limestone
Fire-Back	Attached (Deep SF Option - see p9)
Hearth	Granite 1372mm x 381mm (54" x 15")
Gas	Cast Tec Arch (input 6.9kW)
Solid Fuel	SF Kit A
Electric	Electric Arch
Integra Options	Yes – see page 26 and Integra Collection brochure

Ardley

The Ardley is a traditional arched insert with an intricate decorative band giving an understated appearance even in a Highlight Polished Finish as shown. Also available in a Matt Black or Antique Finishes the Ardley is shown inside the Verona marble mantel in Italian Carrara.



An optional canopy is available to suit the Ardley design.

Optional Canopy



Carrara Pure Marble



Cast	Ardley <i>Highlight Polished</i>
Mantel	Verona Carrara Marble
Fire-Back	Attached (Deep SF Option - see p9)
Hearth	Granite 1448mm x 432mm (57" x 17")
Gas	Cast Tec Arch (<i>input 6.9kW</i>)
Solid Fuel	SF Kit A
Electric	Electric Arch

Arklow

The Arklow is a highly ornate arched insert reproduced from an original design. The superb definition is shown in Highlight Polish to the fascia and uniquely to the fire-back as well.

Shown inside the Edwardian Corbel mantel in Turkish Limestone the Arklow is also available in a Matt Black or Antique Finish.



Turkish Limestone



Cast	Arklow <i>Highlight Polished</i>
Mantel	Edwardian Corbel Turkish Limestone
Fire-Back	Attached
Hearth	Granite 1448mm x 432mm (57" x 17")
Gas	Arklow Arch (<i>input 6.9kW</i>)
Solid Fuel	SF Kit K

Anson *with Deep SF Back*

The Anson is shown here in a matt black finish with an optional Deep SF (Solid Fuel) Back. This fireback has a replaceable clay firebrick for those who wish to burn a real coal or log fire.



The Anson Black is shown inside the beautiful Durham mantel in Crema Marfil pure marble from Spain. The Durham is also available in Chinese Shanxi Black Granite.

It is not advisable to burn smokeless or petroleum based fuels in these castings as the severity of the heat may cause damage to the interior of the cast. Those wishing to burn smokeless fuels or requiring higher outputs and efficiencies should opt for dedicated Integra SF options – see p26.

Cast	Anson Black
Mantel	Durham Crema Marfil
Fire-Back	Deep SF Back
*Hearth	Granite 1448mm x 432mm (57" x 17")
Solid Fuel	SF Kit Z

**NOTE: Hearths fitted for solid fuel may have specific requirements to allow for expansion. Seek appropriate advice.*



Ashbourne

The Ashbourne is a decorative arched insert shown here in a highlight polished finish depicting the intricate detail on the casting. The Ashbourne is also available in a Matt Black or Antique Finish and has the option of a canopy as shown. The mantel is the Richmond in Solid Oak displaying its spectacular carved corbels. Our full range of solid oak mantel designs can be viewed on page 24.



Ashbourne Antique Finish with Corbel Pine Mantel

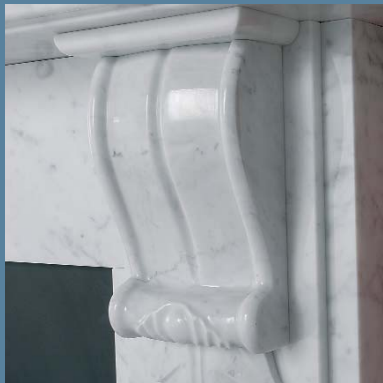
Cast	Ashbourne <i>Highlight Polished</i>
Mantel	Richmond Solid Oak (also in Pine)
Fire-Back	Attached
Hearth	Granite 1372mm x 381mm (54" x 15")
Gas	Cast Tec Arch (<i>input 6.9kW</i>)
Solid Fuel	SF Kit C
Electric	Electric Arch <i>shown</i>
Integra Options	Yes – see page 26 and Integra Collection brochure



Camden

The Camden has been reproduced from an original design and being the largest of the arched inserts is ideally suited to the larger traditional mantels.

Available in a Highlight Polish (shown), Matt Black or Antique Finish the Camden is shown inside the William IV mantel in Carrara Italian Marble.



Carrara Pure Marble



Cast	Camden <i>Highlight Polished</i>
Mantel	William IV Carrara Marble
Fire-Back	Attached
Hearth	Granite 1448mm x 432mm (57" x 17")
Gas	Camden Arch (<i>requires ventilation</i>)
Solid Fuel	SF Kit D

Westminster Hob

The Westminster is a reproduction of an original hob grate and is shown here in a Highlight Polish Finish. Two small shelves inside the left and right-hand sides of the fire opening were used in days gone by to heat flat-irons and kettles. Also available in a Matt Black or Antique Finish the Westminster is shown inside the Flat Victorian mantel in Carrara pure marble from Italy.

The Flat Victorian is also available in Black Granite, Limestone and Mocha Beige marble.



Cast	Westminster Hob <i>Highlight Polished</i>
Mantel	Flat Victorian Carrara Marble
Fire-Back	Attached
Hearth	Granite 1448mm x 432mm (57" x 17")
Gas	Westminster Arch (<i>requires ventilation</i>)
Solid Fuel	SF Kit W

Dublin

The Dublin is an ornate Victorian insert shown here in a traditional Antique (graphite) Finish. Also available in Matt Black, the Dublin is displayed inside the striking Harton cast-iron mantel in a Highlight Polished Finish. This mantel is also available in Matt Black for a more discreet appearance.

The casting is complimented by the Liberty tile set in Ivory/Blue. A choice of tiles and cast-iron sleeves can be viewed on page 25.



Cast	Dublin <i>Antique Finish</i>
Mantel	Harton <i>Highlight Polished</i>
Fire-Back	Attached
Hearth	Granite 1372mm x 381mm (54" x 15")
Tiles	Liberty <i>Ivory/Blue</i>
Gas	Cast Tec Arch
Solid Fuel	SF Kit B
Electric	Electric Arch

Aston

The Aston is a traditional Victorian tiled insert shown here in an Antique (graphite) Finish and is also available in Matt Black or Highlight Polish.

The Mantel shown is the Sherwood design in Solid Oak (also available in Solid Pine). Our full range of solid oak mantel designs can be viewed on page 24.

The casting is complimented by the Oriental Iris tile set in Ivory/Burgundy. A choice of tiles and cast-iron sleeves can be viewed on page 25.



Cast	Aston <i>Antique Finish</i>
Mantel	Sherwood Solid Oak
Fire-Back	Optional
Hearth	Granite 1372mm x 381mm (54" x 15")
Tiles	Oriental Iris <i>Ivory/Burgundy</i>
Gas	Cast Tec 16 (<i>input 6.9kW</i>)
Solid Fuel	SF Kit U
Electric	Electric 16
Integra Options	Yes – see page 26 and Integra Collection brochure

Roma

The Roma is an Edwardian style tiled insert shown here in a Full Polish finish giving it a striking contemporary feel. Shown inside the Flat Victorian mantel in black granite the Roma is also available in a Matt Black or Antique Finish.

For a more minimalist look a plain version of the Roma called the Jesmond (see inset) is available. A choice of tiles or sleeves are available on page 25.



Jesmond Full Polish with Art Deco Sleeves



Cast	Roma Full Polish
Mantel	Flat Victorian Black Granite
Fire-Back	Optional
Hearth	Granite 1448mm x 432mm (57" x 17")
Tiles	Med Poppy Ivory/Burgundy
Gas	Cast Tec 16 (input 6.9kW)
Solid Fuel	SF Kit U
Electric	Electric 16
Integra Options	Yes (Roma & Jesmond) - see page 26 and Integra Collection brochure

Oxford

The Oxford is a traditional tiled insert with the depiction of a classic art nouveau tulip design on the canopy. Shown in a Highlight Polished Finish, the Oxford also looks exquisite in an Antique or Matt Black Finish.

The Mantel shown is the Balmoral design in antiqued Solid Pine (also available in Solid Oak). Our full range of solid timber mantel designs can be viewed on page 24.

The casting is complimented by the Tulip tile set in Ivory/Burgundy. A choice of tiles and cast-iron sleeves can be viewed on page 25.



Cast	Oxford <i>Highlight Polished</i>
Mantel	Balmoral Pine (also available in Oak)
Fire-Back	Optional
Hearth	Granite 1372mm x 381mm (54" x 15")
Tiles	Tulip <i>Ivory/Burgundy</i>
Gas	Cast Tec 16 (<i>input 6.9kW</i>)
Solid Fuel	SF Kit U
Electric	Electric 16
Integra Options	Yes – see page 26 and Integra Collection brochure

Belfast

The Belfast is unique being an arched and tiled insert combined. It's traditional styling and bulky depth makes it the perfect partner to compliment a larger traditional mantel.

Shown here inside the Victorian Corbel mantel in Turkish Limestone the Belfast is available in a Highlight Polish, Matt Black or Antique Finish.

The casting is complimented by the Mediterranean Poppy Tile Set in Green/Burgundy. A choice of tiles and cast-iron sleeves can be viewed on page 25.



Cast	Belfast <i>Highlight Polished</i>
Mantel	Victorian Corbel Turkish Limestone
Fire-Back	Attached
Hearth	Granite 1448mm x 432mm (57" x 17")
Tiles	Med Poppy <i>Green/Burgundy</i>
Gas	Cast Tec Arch (<i>input 6.9kW</i>)
Solid Fuel	SF Kit B
Electric	Electric Arch

Liberty

The Liberty is an art nouveau combination casting with a small cast-iron shelf attached. Reproduced from an original design the Liberty is shown in a striking Full Polish Finish but is also available in Matt Black or Antique (graphite).

Ideal for a small chimney breast or a simple display onto a flat wall the Liberty still has the ability to perform as a real fire if so desired.



Cast	Liberty <i>Full Polish</i>
Mantel	Attached
Fire-Back	Optional
Hearth	Granite 1067mm x 381mm (42" x 15")
Gas	Cast Tec 16 (<i>input 6.9kW</i>)
Solid Fuel	SF Kit U
Electric	Electric 16

Ashfield

The Ashfield is a traditional combination casting with a small cast-iron shelf attached. Reproduced from an original design the Ashfield is available in a Highlight Polish, Matt Black or Antique Finish all of which are shown on this page.

Ideal for a small chimney breast or a simple display onto a flat wall the Ashfield still has the ability to perform as a real fire if so desired.



Ashfield Matt Black



Ashfield Antique

Cast	Ashfield <i>Combination</i>
Mantel	Attached
Fire-Back	Optional
Hearth	Granite 1067mm x 381mm (42" x 15")
Gas	Cast Tec 16 (<i>input 6.9kW</i>)
Solid Fuel	SF Kit U
Electric	Electric 16

Prince Basket *with Adam Panels*

The majestic Prince Basket is shown in a highlight polished finish with its Adam-style influence being complimented by a set of four Adam Panels to the sides and rear of the fireplace opening in a traditional antique (graphite) finish. The Prince Basket and Adam Panels are both available in matt black, highlight polish and antique finishes.

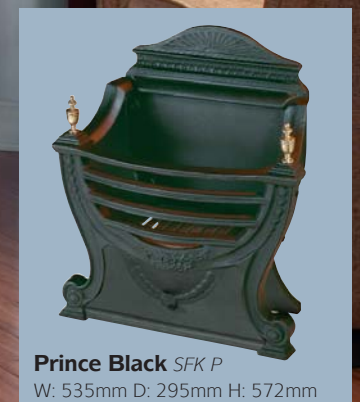
The Victorian Corbel mantel is shown in Carrara Italian Marble and is also available in Turkish Limestone. A black granite hearth and three granite slips inside the mantel opening create a nice contrast.

A more comprehensive range of Fire Baskets & Accessories can be found in our dedicated Firemaster Brochure available from your Retailer or from Cast Tec direct.



Adam Panel
W: 460mm H: 915mm

Cast	Prince Basket <i>Polished</i>
Mantel	Victorian Corbel Carrara Marble
Fire-Back	Adam Panels <i>Antique</i>
Hearth	Granite 1372mm x 381mm (54" x 15")
Gas	Available
Solid Fuel	SF Kit P
Electric	Custom Required



Prince Black SFK P
W: 535mm D: 295mm H: 572mm

Lions Basket *with Reeded Panels*

The Lions Basket stands proud with its claw feet and four finials in a highlight polish finish inside a chamber of four Reeded Panels in an antique (graphite) finish. The Lions Basket and Reeded Panels are also available in a matt black finish.

The mantel shown is the Kielder in Solid Oak displaying wonderful carved egg & dart and dentil mouldings. Our full range of solid oak mantel designs can be viewed on page 24.

Three granite slips create a nice border inside the opening of the oak mantel.



Reeded Panel
W: 460mm H: 915mm

A more comprehensive range of Fire Baskets & Accessories can be found in our dedicated Firemaster Brochure available from your Retailer or from Cast Tec direct.



Lions Basket SFK L
W: 595mm D: 395mm H: 385mm

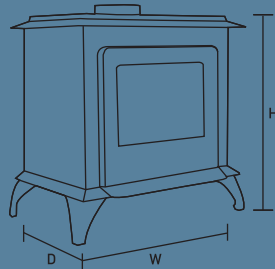
Cast	Lions Basket <i>Polished</i>
Mantel	Kielder Solid Oak
Fire-Back	Reeded Panels
Hearth	Granite 1372mm x 381 mm (54" x 15")
Gas	Available
Solid Fuel	SF Kit L
Electric	Custom Required

Newark 5 Stove

The Newark is a versatile stove which allows it to fit into most styles of décor and its standard multi-fuel grate allows you to burn smokeless fuels, wood and peat.

The Newark has a riddling grate (control visible on left) to remove ash on the surface of the coals and boasts triple burn technology consisting of **Primary Air Burn** (control on door), **Airwash Secondary Burn** (above the door) and **Tertiary Air** (under the door).

The tertiary air system mixes pre-heated air with the exhaust gases allowing the exhaust gas to re-ignite producing a cleaner and more efficient stove.



The use of petroleum based fuels is not recommended as the heat may be so intense as to damage the interior of the stove.

Nominal Heat Output	5kw
Width (W)	432mm
Height (H)	614mm
Depth (D)	381mm
Flue Diameter	125mm
Centre of top flue to rear of stove	115mm
Centre of rear flue from floor	490mm

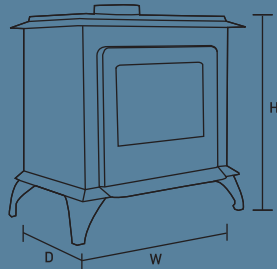


Oregon 7 Stove

The Oregon Stove is larger than its sister, the Newark, and caters for those who require a larger output. A standard multi-fuel grate allows you to burn smokeless fuels, wood and peat.

The Oregon has a riddling grate (control visible on left) to remove ash on the surface of the coals and boasts triple burn technology consisting of **Primary Air Burn** (control on door), **Airwash Secondary Burn** (above the door) and **Tertiary Air** (under the door).

The tertiary air system mixes pre-heated air with the exhaust gases allowing the exhaust gas to re-ignite producing a cleaner and more efficient stove.



The use of petroleum based fuels is not recommended as the heat may be so intense as to damage the interior of the stove.

Nominal Heat Output	7kw
Width (W)	510mm
Height (H)	590mm
Depth (D)	400mm
Flue Diameter	125mm
Centre of top flue to rear of stove	115mm
Centre of rear flue from floor	475mm



Wood Mantels *from the Traditions Solid Oak Collection**



Balmoral



Corbel



Incised Corbel



Richmond



Sherwood



Danbury



Georgian



Rothbury



Grizedale



Flat Victorian



Tulip



Kielder

Hand Painted Tubeline Tiles

Tubeline Tiles were traditionally made to withstand the high temperatures generated by a working fireplace and performed the practical function of reflecting heat into the room when placed at an angle facing inward. With a choice of five designs and various colour options, two runs of five tiles make

up a set to fit into a Premier casting. The Luscia and Mediterranean Poppy tile sets include a left and right handed design. Our tubeline tiles are individually handpainted in the traditional way and will be subject to colour variation and normal crazing.

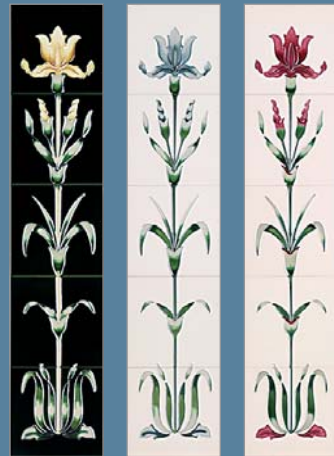
Cast-iron Sleeves are an alternative to the more colourful tubeline tiles. Sleeves are supplied in pairs to suit a Premier casting and these are available in a matt black, antique or highlight polished finish. The Art Deco Sleeve design, as shown on page 15, is also available in Full Polish.

Liberty



Brown Yellow Ivory Blue Green Burgundy Honey Yellow Ivory Burgundy

Oriental Iris



Green Yellow Ivory Blue Ivory Burgundy

Luscia



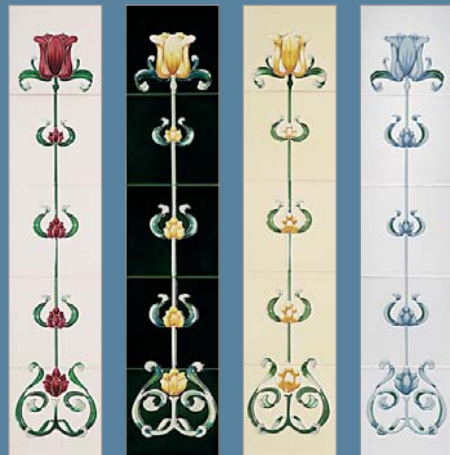
Honey Yellow Ivory Blue Ivory Burgundy

Mediterranean Poppy



Honey Yellow Ivory Burgundy Green Burgundy Ivory Blue

Tulip



Ivory Burgundy Green Yellow Honey Yellow Ivory Blue

Cast-iron Sleeves



Lily Urn Med Poppy Tulip

Cast Iron Care

Packaging

Your Premier cast-iron fireplace is packaged so as to minimise exposure to adverse elements and should reach you in perfect condition. The product should be stored in a warm, dry environment and remain packaged until the fireplace is ready to be installed. This will prevent accidental damage being caused, which will not be covered under warranty. It is essential that you inspect your Premier casting prior to installation as it will be deemed to be of merchantable quality thereafter and no liability will be accepted for product removal, reinstallation or redecoration.

Cleaning

Your Premier casting requires only the minimum upkeep and it should remain in superb condition for many years. Matt Black finishes can be maintained simply by dusting with a dedicated dry paint brush (see Accessories below). Antique finishes can be maintained using a dedicated shoe or polishing brush. Polished and Highlight Polished areas can be wiped with a dry cloth especially if an 'orange' colour appears on the waxed polished surface after fitting.

Warning

Cast-iron products are vulnerable to rust and tarnishing if exposed to dampness or water. Avoid the use of damp cloths, water-based liquids, furniture polish, detergents, oils, grease etc. onto the surface of the cast-iron. Should your fireplace become wet for any reason, dab it gently with a simple dry cloth. This should prevent any tarnishing or rust from forming. It is normal for some discoloration to occur to the working parts of a cast-iron fireplace.

Accessories

Firemaster Stove Paint (shown) can be used on all cast-iron products in this brochure to create or re-create a Matt Black Finish. Black Grate Polish can be used to create or re-create an Antique or Graphite Finish. Expert advice should be sought and the utmost care taken when applying these finishes.



Integra High Efficiency Options



Cast-iron fires may look attractive, but if you burn solid fuel or gas inside a traditional grate, the fire could be as little as 25% efficient. In other words, 75% of the heat you generate disappears straight up the chimney. What can we do about this?

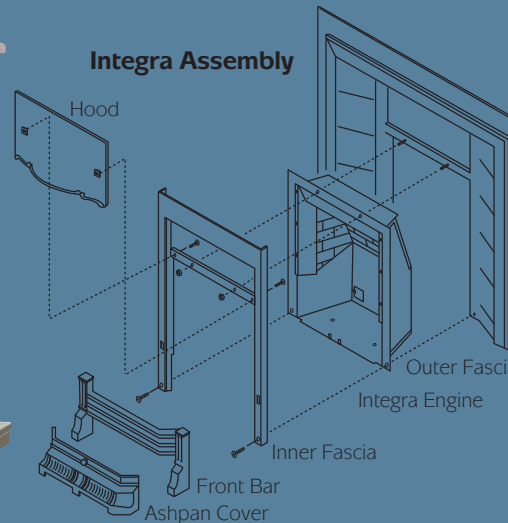
How about a range of unique cast-iron fireplaces, similar to those in the Premier Collection, but specifically designed and manufactured to integrate with some of the most efficient gas, solid fuel and electric fires available on the market today? These unique cast-iron fireplaces have now arrived in the form of **The Integra Collection**.

The benefits of the Integra Range include high outputs, high efficiency, easy installation, usually no additional ventilation and the fact that there is an Integra option to suit any flue application. View the options below, and if these benefits interest you, request an Integra Collection brochure from your Retailer (or contact us direct):

Gas Options:	Integra Engine	Output	Efficiency
Pre-cast & Pre-fabricated Flues:	Classic Multiflue	3.3kW	50%
Traditional Chimney (Open Fire):	Convactor	4.0kW	60%
Traditional Chimney (Glass Front):	HE (High Efficiency)	4.0kW	80%
No Chimney (Open Fire):	Powerflue	3.3kW	50%
No Chimney (Glass Front):	Balanced Flue	4.3kW	94%
Solid Fuel Options:			
Traditional Chimney (Glass Front):	Solid Fuel Integra*	5.0kW	70%



Integra Assembly View



Majestic Solid Fuel Integra* with Edwardian Limestone Mantel.



Aston Integra Gas with Balmoral Pine Mantel.

Electric Options

There are two electric fires manufactured specifically to suit the majority of castings in the Premier Collection.

The Cast Tec **Electric 16** (supplied with Damper for use with Universal Cast Back)

& Cast Tec **Electric Arch** offer the following unique points:

- **Top Venting** (so that Ashpan Cover can stay in position)
- **Two Heat Settings** (900W & 1800W)
- **Remote Control** (multiple flame settings)
- **LED Effect** (No bulbs to change)
- **Adjustable Height**



Electric Arch

Electric Integra

The **Anson Full Polish Electric Integra**, shown with the **Durham Granite Mantel**, will fit against any flat wall (using a standard 76mm rebated mantel).



Specifications Due to the casting process measurements are approximate and may vary

Castings	Fascia Sizes		Inner Band Sizes		E <i>Rebate</i>	Chamber Sizes		
	A <i>Width</i>	B <i>Height</i>	C <i>Width</i>	D <i>Height</i>		F <i>Width</i>	G <i>Height</i>	H <i>Depth</i>
Anson	953	953	800	820	10	686	762	210
Ardley	953	953	813	813	10	686	762	210
Arklow	950	950	788	826	10	813	839	210
Ashbourne	953	953	769	820	10	660	788	191
Ashfield	953	966	832	n/a	Flush	See Optional Backs		
Aston	956	959	864	870	75	See Optional Backs		
Belfast	966	959	845	864	10	839	896	280
Camden	1016	972	902	896	10	870	928	286
Dublin	960	960	870	905	10	838	896	280
Jesmond	959	959	880	883	75	See Optional Backs		
Liberty	1118	1074	902	n/a	Flush	See Optional Backs		
Majestic	953	953	762	800	10	686	762	210
Oxford	956	959	870	870	75	See Optional Backs		
Roma	959	959	880	883	75	See Optional Backs		
Westminster	1010	997	832	851	10	826	990	229

maximum mantel openings minimum mantel openings

Optional Backs	F <i>Width</i>	G <i>Height</i>	H <i>Depth</i>
Universal Cast Back <i>suits gas, electric and solid fuel</i>	432	623	191
Fibre Back <i>gas only, increases output by 1kW</i>	445	585	204
Deep SF Back <i>solid fuel for Anson/Ardley/Majestic</i>	496	629	245

Optional Backs



Universal Cast Back

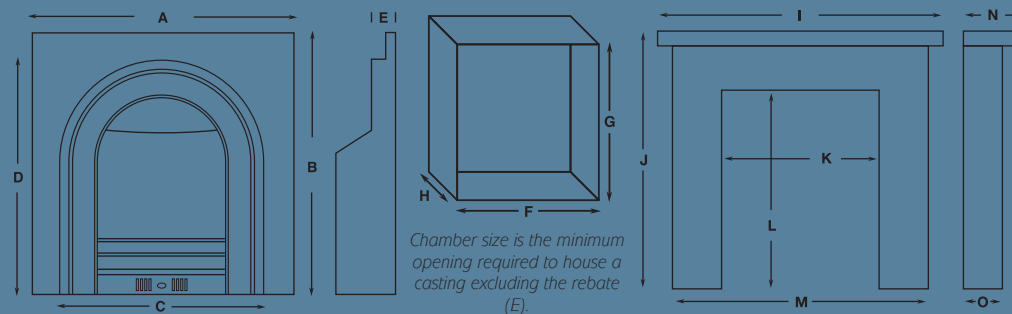


Fibre Back



Deep SF Back

Cast-iron Mantels	I <i>Shelf Length</i>	J <i>Height</i>	K <i>Int Width</i>	L <i>Int Height</i>	M <i>Base</i>	N <i>Shelf Width</i>	O <i>Rebate</i>
Harton	1448	1257	908	908	1308	222	76



Stone Mantels	I <i>Shelf Length</i>	J <i>Height</i>	K <i>Int Width</i>	L <i>Int Height</i>	M <i>Base</i>	N <i>Shelf Width</i>	O <i>Rebate</i>
Athena 54"	1372	1150	Variable	915	Variable	248	76
Athena 60"	1524	1150	Variable	915	Variable	250	76
Chelsea	1520	1225	Variable	915	Variable	235	76
Durham 54"	1372	1145	Variable	915	Variable	305	76
Durham 60"	1520	1140	Variable	915	Variable	300	76
Edwardian Corbel	1455	1140	Variable	915	Variable	255	76
Flat Victorian 53"	1364	1145	Variable	915	Variable	205	76
Flat Victorian 58"	1470	1150	Variable	915	Variable	205	76
Verona	1510	1150	Variable	915	Variable	250	76
Victorian Corbel 54"	1372	1194	Variable	915	Variable	280	76
Victorian Corbel 60"	1524	1194	Variable	915	Variable	279	76
William IV	1512	1150	Variable	915	Variable	248	76

Wood Mantels

Balmoral	1372	1134	915	915	1235	213	25/76
Corbel	1400	1155	915	915	1330	213	25/76
Danbury	1370	1220	915	915	1205	200	25/76
Flat Victorian	1448	1150	915	915	1327	200	25/76
Georgian	1400	1115	915	915	1225	200	25/76
Grizedale	1370	1135	900	900	1215	195	25/76
Incised Corbel	1400	1155	915	915	1330	213	25/76
Kielder	1365	1220	915	915	1225	230	25/76
Richmond	1475	1145	915	915	1330	240	25/76
Rothbury	1370	1135	915	915	1230	210	25/76
Sherwood	1372	1175	915	915	1283	219	25/76
Tulip	1321	1137	915	915	1220	203	25/76



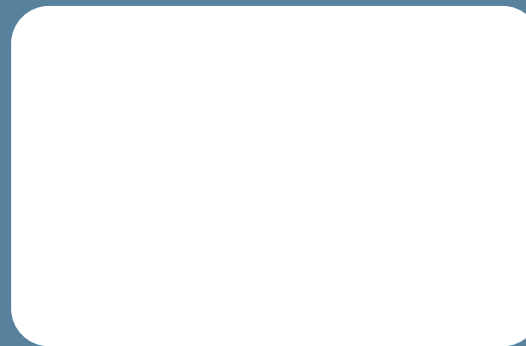
Integra Collection
High Efficiency Options



Classic Collection
Value Packages



Firemaster
Solid Fuel Fires, Stoves,
Baskets & Accessories



Cast Tec Ltd
East Side, Tyne Dock
South Shields
NE33 5SP



Tel: 0191 497 4280
Fax: 0191 497 4288
Email: info@casttec.co.uk
Web: www.casttec.co.uk

Products shown in this brochure are manufactured for Cast Tec Ltd. who, with a professional group of companies, distribute them exclusively in the UK.

Goods must be checked prior to installation, as no responsibility will be accepted thereafter for the redecoration, removal or reinstallation of products. Faulted goods must be reported within 48 hours.

Installation should be carried out by a qualified professional fireplace fitter. No responsibility will be accepted for damage or problems arising from an incorrect or unqualified installation.

When burning solid fuel, a new cast-iron fireplace must be tempered by burning five small fires of no more than 3kg of fuel. This procedure will ensure that heat damage through consistent use of the product will be minimised. Caution must be taken with petroleum based solid fuels as the heat intensity can cause damage to consumable products such as the fire-brick, bottom grate and ashpan.

Cast Tec Arches & 16s are CE approved and manufactured specifically to suit the Premier Collection range of castings. No responsibility will be accepted for problems arising where a gas appliance has been used which is not approved or suitable to fit into a Premier casting or where the fitting has taken place without the relevant instructions. It is normal for carbon deposits to appear on top of the ceramic coals of a gas fire, these can be brushed away with a soft brush when the fire is not in use.

Cast Tec Ltd. reserve the right to delay or withdraw products, change designs, specifications or materials without prior notice due to continuous product development or supply problems.

Photographs and designs shown in this brochure are the copyright and design rights of Cast Tec Ltd. and can only be used or copied with permission.

5th Edition 2010