

The World's Finest Cast Iron Stoves



VERMONT
CASTINGS

The World's Finest

THE HEART OF YOUR HOME

Vermont Castings carries the strongest heritage of quality and innovation and is the only North American manufacturer with both the foundry and enamelling process under one roof, assuring that manufacturing is carefully coordinated for utmost quality. The foundry is equipped with the industry's most sophisticated equipment controlling all aspects of the casting process.

Our cast iron stoves are manufactured to endure the coldest winters, maintain their elegant looks and offer outstanding performance for many years. All Vermont Castings stoves are made from cast iron, which diffuses heat better, withstands higher temperatures and generally offers a longer life expectancy to the stove. This material also enables the stove to contain the intricate patterning, which is hand carved by fine artisans, giving the stoves their beautiful finish.

Vermont Castings also offers some of the cleanest burning stoves to help protect the environment. Some of our catalytic wood burning stoves have even been approved for use in smoke free zones*. To learn more about the Catalytic Combustion System please see page 3.

*Only when operated in accordance with the operation instructions.

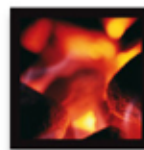
CHOOSING YOUR FUEL TYPE



Wood pages 4-7

Developed for the intense cold of North American winters, the Vermont wood burning stoves are amongst the cleanest burning and most efficient stoves in the world. All the wood burning stoves in the UK range use either a catalytic combustor or clean burn technology to burn off the smoke produced when burning wood, resulting in lower emissions and extra heat and efficiency.

The Intrepid and Encore wood burning models have both been tested in the UK for exemption from the clean air act and can therefore be used in smoke controlled areas.



Multifuel pages 8-11

Specific to the UK, the multifuel range of stoves is designed to provide efficient operation on both wood and coal/smokeless fuels. Allowing greater versatility in the choice of fuels, these stoves are suitable for customers with restricted or no supplies of wood. Whilst not as efficient as a catalytic wood stove, the multifuel products offer lower maintenance and simplicity of operation. When used with coal-based fuels, high outputs with longer burn times are achievable.



Gas pages 12-13

Vermont gas stoves are all conventional flue products. They offer class leading coal effect flame pictures and ease of installation and use. All Vermont gas stoves are fitted with state of the art safety features including a blocked flue sensor.

Cast Iron Stoves



FEATURES GUIDE



Clean Burn Technology

A process of secondary combustion which ignites the unburned particles increasing heat output and efficiency.



Air Wash System

A stream of air is directed upwards behind the glass which prevents flames and combusted particles having contact with the glass. This ensures the glass remains clear from any marks.



Catalytic Combustion System

Primary air enters the stove through an access hole in the back and is preheated as it is drawn through the interior walls of the stove. To achieve greater efficiency, thermostatically controlled secondary air mixes with the smoke (which is unburned wood gases). This begins the secondary combustion process. Smoke passes through a catalytic combustor, which lowers the smoke's burning temperature from 1,200°F to 600°F, and causes it to ignite. This secondary combustion turns that smoke into usable heat.



Infrared Reflective (I.R.) Coated Ceramic Glass

This provides a similar benefit to the Air Wash System in that it protects the inside of the glass from the discolouration and erosion that may be caused by the burning process.

Thermostatic Control

All our wood burning and multifuel stoves feature thermostatic control. The thermostat automatically adjusts primary combustion air, so that the stove delivers a more consistent and comfortable level of heat.

Smokeless Top Loading

Our catalytic wood burning and multifuel stoves can be loaded through the top of the griddle. This is the cleanest and safest way to load a stove, reducing the strain of bending and the mess caused by falling ashes and sparks, which may arise when loading fuel through the front door.

Easy Ash Handling

The unique built-in grate and swing-out ash pan on certain models eliminates all the mess involved with removing ashes from your stove. The ash pan comes with a handled lid for easy removal and disposal. All our wood burning and multifuel stoves include a mechanism for safe and easy ash removal.



The Intrepid III Multifuel - page 10

PRODUCT INDEX

PAGE

Wood	
Aspen	4
Intrepid II	5
Encore	6
Defiant	7
Multifuel	
Encore	8
Intrepid II	9
Intrepid III	10
Aspen II	11
Gas	
Intrepid II	12
Intrepid III	13

ACCESSORISING YOUR STOVE

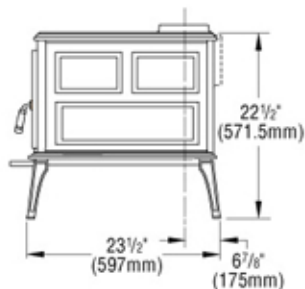
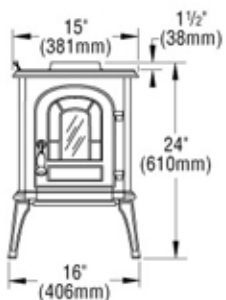
AND INGLENOOK CLEARANCE INFORMATION

Please see page 14 for quality accessories designed to complement your Vermont Castings stove, providing the perfect finishing touches. The required clearance figures for your stove within an inglenook can also be found here.

Aspen



	FEATURES	COLOUR AVAILABLE
	 	 Classic Black

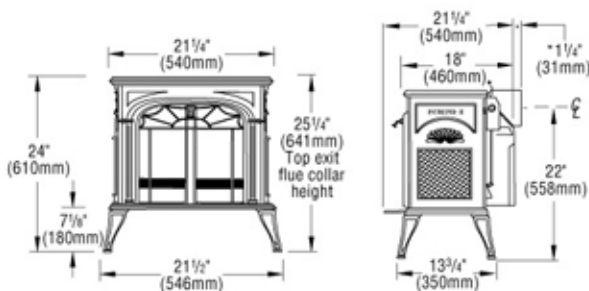


- Maximum 5.3kW heat output
- Non-catalytic, clean burning technology
- Featuring IR coated ceramic glass
- Thermostatic operation
- Low height, ideal for fireplace installation
- Able to take logs up to 16" with top plate cooking surface
- Reversible 6" flue collar for installation flexibility
- Ash pan
- Matching stove pipe and bottom & rear heat shield for reduced clearances
- Requires minimum 6" diameter flue. This stove can only be operated with doors closed

Intrepid II



Wood	FEATURES	COLOURS AVAILABLE					
		Classic Black	Bordeaux	Biscuit	Midnight Blue	Chestnut Brown	Classic Green

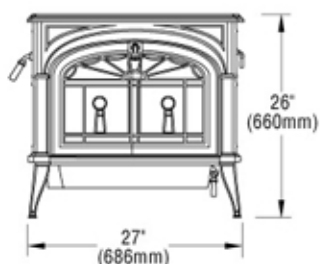
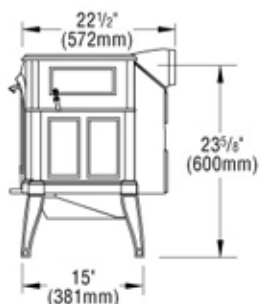


- Maximum 7kW heat output
- Catalytic combustion system (one of the cleanest burning systems available)
- Thermostatic operation
- Top loading
- AirWash™ system for clear viewing
- Compact dimensions for many installation options
- Approved for use in smoke free zones (when operated in accordance with the instructions)
- Optional colours
- Requires minimum 6" diameter flue with doors open or closed

Encore



	FEATURES 	COLOURS AVAILABLE		
		Classic Black	Bordeaux	Biscuit

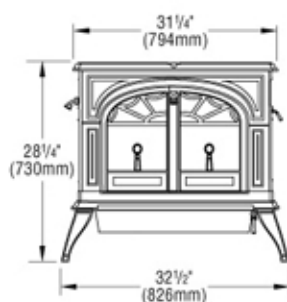


- Maximum 13.5kW heat output
- Catalytic combustion system (one of the cleanest burning systems available)
- Thermostatic operation
- AirWash™ system for clear viewing
- Removable doors (for open door viewing)
- Top loading
- Up to 10 hours burn time
- Approved for use in smoke free zones (when operated in accordance with the instructions)
- Large capacity swing-out ashpan and cover
- Optional colours
- Requires minimum 8" diameter flue for doors open operation and 6" for doors closed operation
- Oval to round flue adaptor required (8"-8" and 8"-6" available)

Defiant



	FEATURES	COLOUR AVAILABLE
	 	 Classic Black

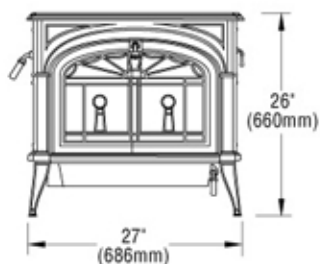
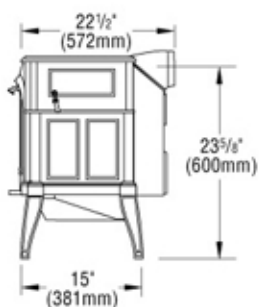


- Largest Vermont Castings wood burning stove
- Exceptionally large unobstructed viewing area
- Catalytic combustion system (one of the cleanest burning systems available)
- AirWash™ system for clear viewing
- Thermostatic operation
- Clean and convenient smokeless top loading
- Innovative swing-away ashpan and cover
- Maximum 16kW heat output
- Requires minimum 8" diameter flue for doors open operation and 6" for doors closed operation
- Oval to round flue adaptor required (8"-8" and 8"-6" available)

Encore



	FEATURES	COLOUR AVAILABLE
		Classic Black

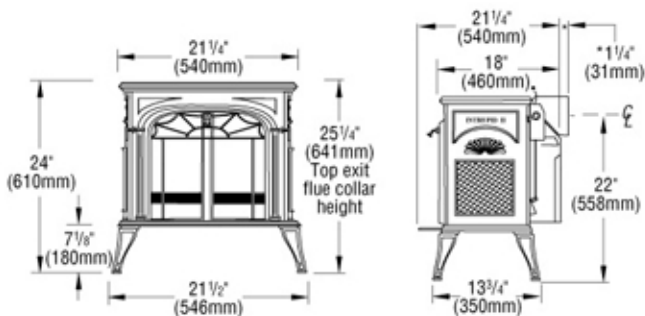


- Maximum 10kW heat output
- Thermostatic operation
- AirWash™ system for clear viewing
- Top loading
- Burns logs (up to 18" long) and most manufactured smokeless coals
- Up to 12 hours burn time
- Large capacity swing-out ashpan with lid
- Removable doors for open fire viewing
- Requires minimum 8" diameter flue for doors open operation and 6" for doors closed operation
- Oval to round flue adaptor required (8"-8" and 8"-6" available)

Intrepid II



	FEATURES	COLOURS AVAILABLE	
		Classic Black	Bordeaux

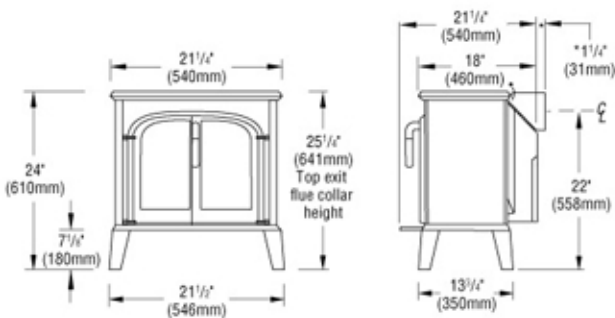


- Maximum 7kW heat output
- AirWash™ system for clear viewing
- Compact dimensions for many installation options
- Thermostatic operation
- Top loading
- Up to 10 hours burn time
- Requires minimum 6" diameter flue for doors open and closed operation

Intrepid III



	FEATURES	COLOUR AVAILABLE
		Classic Black

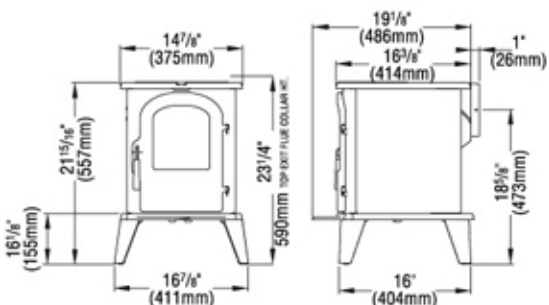


- Clean modern styling
- Clear flame visibility
- Featuring IR coated ceramic glass
- Maximum 7kW heat output
- Thermostatic operation
- Cast iron drop in grate inserts allow instant conversion to wood burning
- Top loading
- Large ash pan
- Outstanding burn times on shut down operation
- Refractory brick linings to ensure longevity of cast iron component life
- Requires minimum 6" diameter flue for doors open or closed operation

Aspen II



	FEATURES	COLOUR AVAILABLE
		Classic Black

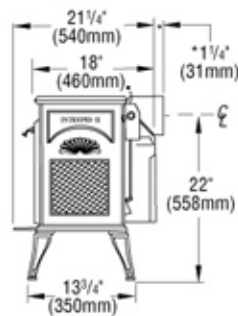
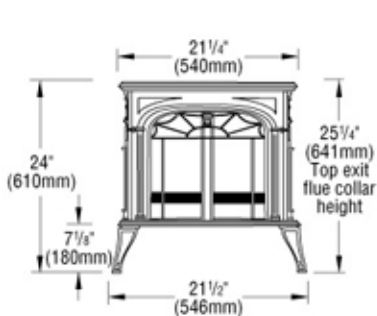


- Compact dimensions
- Clean modern styling
- Clear flame visibility
- Featuring IR coated ceramic glass
- Maximum 5kW heat output
- Top loading
- Thermostatic operation
- Good size ashpan capable for 24hr operation
- Outstanding burn times on shut down operation
- Riddling, (shaker grate system) for ease of cleaning
- Refractory brick linings to ensure longevity of cast iron component life
- Requires minimum 6" diameter flue for doors open or closed operation

Intrepid II



Gas		FEATURES		COLOURS AVAILABLE	
			Classic Black		Bordeaux

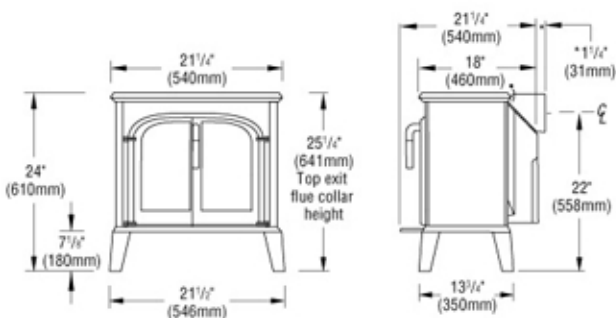


- Probably the quietest, most realistic coal effect gas stove on the market
- Maximum 3.6kW heat output
- Featuring IR coated ceramic glass
- Stainless steel gas burner guaranteed for life
- Operates on Natural Gas or LPG
- Easy to operate gas control
- Oxygen depletion pilot system
- Top or rear vent
- CE approved
- Requires minimum 5" diameter flue connected to the stove with a 6" diameter connector. This stove can only be operated with doors closed

Intrepid III



	FEATURES	COLOUR AVAILABLE
		 Classic Black



- Clean modern styling
- Clear flame visibility
- Featuring IR coated ceramic glass
- Maximum 4.5kW heat output
- Class leading flame picture and performance
- Stainless steel burner guaranteed for life
- Horizontal or vertical flue outlet for ease of installation
- One handed ignition operation
- Blocked flue sensor and oxygen depletion sensor
- CE approved
- Requires minimum 5" diameter flue connected to the stove with a 6" diameter connector. This stove can only be operated with doors closed

VERMONT CASTINGS

Accessories



Thermometer

This magnetic stove thermometer enables you to have greater control over the heat output of your stove, indicating when to re-load or shut the damper in order to keep the stove at your desired temperature.



Gloves

The men and women in the foundry swear by these gloves. Now they're available to you. Made of tough leather, they are perfect for loading your stove or moving logs.

Childguard Fence

The Vermont Casting's portable child guard measures 26" x 30" x 26" (3 fold) x 30" high, large enough to surround even the largest stove and is easily folded away and stored in its original box.



Stove Top Steamer

The stove top steamer returns humidity to the air. Attractively presented with shell motif and latticework design, it is available in a variety of colours. Not intended for food preparation.



Trivet

The perfect handy surface for stove-top cooking or simply an interesting little gift, this handsome cast iron trivet has a shaped handle and depicts a traditional foundry scene.



Log Carrier

This sturdy bag takes the strain out of carrying heavy log loads.



Woodbox

The woodbox is a piece of complementary, finely crafted cast iron furniture. It features a distinctive shell motif and latticework design and measures 28" wide x 16" deep x 22" high.

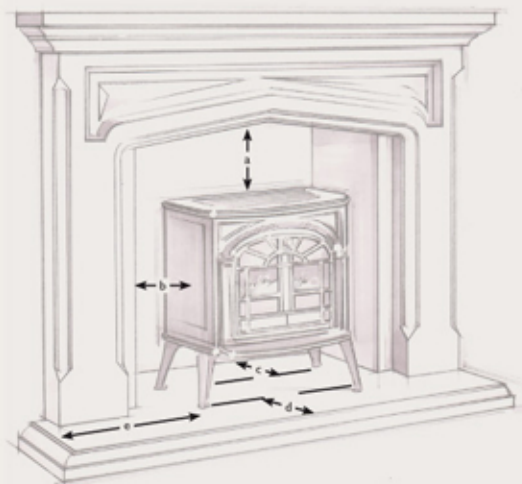


Warming Shelves

These cast iron shelves are an elegant addition, even for those who choose not to cook on their stove. Choose from either Classic Black or matching porcelain enamel colours.

Further Options

There are also other products such as gasket kits, paints and enamel touch ups to keep your stove in perfect condition. For further information on these products and stove pipes, please contact your authorised Vermont Castings stockist.



INGLENOOK CLEARANCE INFORMATION

This illustration shows the required clearance figures for your stove within an inglenook

Non-combustible surround and inglenook

a	Top of stove to bottom of mantle	300mm
b	Side of stove to side of inglenook	100mm
c	Rear clearance from stove to back of inglenook	50mm
d	Front of stove to front of hearth	300mm
e	Side of stove to edge of hearth	150mm

Combustible surround and inglenook

a	Top of stove to bottom of mantle	750mm
b	Side of stove to side of inglenook	600mm
c	Rear clearance from stove to back of inglenook	750mm



The world's finest cast iron stoves

The World's Finest Cast Iron Stoves



**VERMONT
CASTINGS**

Authorised Stockist

BFM Europe would like to thank Plasterline 01484 866785 and Peak Fireplaces 01246 865062 for supplying surrounds for use in this brochure.

All sizes are approximate. Check all dimensions accurately before cutting fireplace materials. In line with our policy of continuous improvement we reserve the right to alter specifications without notice. Correct at time of going to press. This brochure is not intended in anyway to replace the installation or Users Instructions provided, or the need to view the appliance. Statutory rights are not affected. Every endeavour has been made to ensure that the appliances and colour finishes illustrated in this brochure have been reproduced as faithfully as the photographic and printing process will allow, but the appearance of individual appliances and fuel-beds will vary according to the installation characteristics. Some difference in flame height and colour maybe evident in normal operation. This brochure is copyright 2007 and must not be reproduced in whole or in any part without prior written consent.