



Traditional Cast Iron Stoves

The finest gas and oil stoves from

 **FRANCO BELGE**

Belfort

STANDARD FLUE

The Belfort standard flue model is the ideal companion for installing in a setting equipped with either a chimney or suitable flue. With elegantly detailed styling and a wide range of optional enamel finishes the Belfort's versatility is further enhanced by being available in either Natural Gas or LPG versions both with either log or coal effect fires.

- All cast iron construction for maximum heat transfer
- Retains heat long after the fire has expired
- Natural Gas or LPG versions available
- Log or coal effect burners in either fuel type
- Automatic lighting Piezo quartz ignition - no need for an electricity supply or batteries
- Single fingertip control for ignition, pilot light and flames
- Remote control options also available
- Fully adjustable heat output and variable flame control
- Top or rear flue outlet
- Room air vent not required
- Equipped with latest oxygen depletion sensor safety features to cut-off the gas supply in the event of the flames being unexpectedly extinguished

02



REMOTE CONTROL OPTIONS



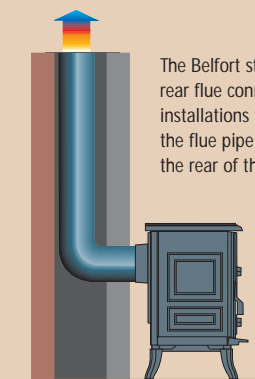
THERMOSTATIC STANDARD
 For the ultimate in convenience we offer two remote control systems for the Belfort gas stove:

- The standard remote control system allows you to control the flame height and heat output along with turning the stove on and off all from the comfort of your favourite armchair.
- The thermostatic remote control system also incorporates a programmable timer in the handset that allows you to specify when the stove will ignite and extinguish and the overall room temperature to be maintained. The system can be programmed for each day of the week, ensuring that you always come home to a warm welcome whatever the weather!

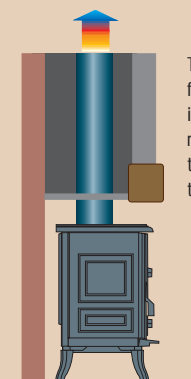
03

BELFORT STANDARD FLUE SPECIFICATIONS

Dimensions:	550mm H x 420mm W x 340mm D
Flue dia (internal)	125mm
Height from floor to centre of rear flue:	409mm (+80mm with extended legs)
Distance from rear of stove to centre of top flue outlet	131mm
Fuel:	Natural Gas / LPG
Weight:	55 Kgs
Input:	
Natural Gas	4.3 Kw
LPG	4.2 Kw
Output:	
Natural Gas	3 Kw • Product Code: 1540515
LPG	3 Kw • Product Code: 1540516



The Belfort standard has a rear flue connection for installations that require the flue pipe to exit from the rear of the stove.



There is also a top flue outlet for installations that require the flue pipe to travel from the top of the stove.



Belfort standard flue flame pattern options

The stove can be specified with either log or coal effect burners as shown above. The LPG flame patterns (not shown) differ slightly from Natural Gas as shown.

Colour Options



Matt black stove paint

Belfort

F L U E L E S S

Requiring no chimney or flue system, the Belfort flueless is our latest innovation in gas stove development, offering the ultimate in versatility and convenience of use.

The Belfort flueless can be sited anywhere around the home* where there is a suitable gas supply. This opens up a huge range of creative interior design possibilities, where a conventional stove would normally be impossible to use, even making installation in a conservatory a straightforward task.

With its advanced pyrolytic technology the stove emits no harmful fumes and does not suffer from the drawbacks of using a catalytic convertor, such as high cost of maintenance and replacement parts.

- All cast iron construction for maximum heat transfer
- Retains heat long after the fire has expired
- Natural Gas only
- Coal effect burner
- Automatic lighting Piezo quartz ignition - no need for an electricity supply or batteries
- Single fingertip control for ignition, pilot light and flames
- Remote control supplied as standard
- Thermostatic control for room temperature comfort
- Fully adjustable heat output and variable flame control
- No flue or chimney required - utilises latest Pyrolytic technology
- 100% efficient, economic to run and no heat loss
- No costly catalytic convertors to service or replace every 2-3 years
- Equipped with latest oxygen depletion sensor safety features to cut-off the gas supply in the event of the flames being unexpectedly extinguished



REMOTE CONTROL



For the ultimate in convenience the Belfort flueless stove is supplied fully equipped with our Standard remote control system:

- The standard remote control system allows you to control the flame height and heat output along with turning the stove on and off all from the comfort of your favourite armchair.

B E L F O R T F L U E L E S S S P E C I F I C A T I O N S

Colour Options



Matt black stove paint

Dimensions:	550mm H x 420mm W x 340mm D
Fuel:	Natural Gas
Weight:	53 Kgs
Input: Natural Gas	3.5 Kw Gross (3.1 Kw nett)
Output: Nat.Gas (100% efficient)	3.1 Kw • Product Code: 1540305

The Belfort flueless stove is suitable for installing a wider range of settings than any other gas stove. No chimney or flue system is required, just a gas supply to connect to and you can enjoy the wonderful warmth of a real cast iron gas stove. This makes the stove suitable for installing in many different rooms in the home such as a conservatory or snug.

All rooms the stove is installed in should have an openable window and wall ventilation such as an airbrick that vents outside with a minimum area of 100cm².

*The stove should not be installed in either a bedroom, bathroom or basement and must have a minimum volume of 33 cubic metres or greater with adequate ventilation. To calculate your room size multiply width x length x height in feet then divide by 35.5.

Savoy

S T A N D A R D F L U E

Designed for use with a conventional chimney and flue system the Savoy features one of the largest ceramic glass door panels on a stove of these dimensions, giving a wonderful clear view of the fire. With a heat output of up to 4.9Kw the Savoy is ideal for heating larger rooms whilst retaining all the charm and traditional appeal of our smaller stoves. The Savoy is the ideal companion on long dark winter nights where its cosy warmth will be appreciated by the whole family.

- All cast iron construction for maximum heat transfer
- Retains heat long after the fire has expired
- Natural Gas or LPG versions available
- Log or coal effect burners in either fuel type
- Automatic lighting Piezo quartz ignition - no need for an electricity supply or batteries
- Single fingertip control for ignition, pilot light and flames
- Remote control options also available
- Fully adjustable heat output and variable flame control
- Top or rear flue outlet
- Room air vent not required
- Equipped with latest oxygen depletion sensor safety features to cut-off the gas supply in the event of the flames being unexpectedly extinguished

06



Savoy flame pattern options

The stove can be specified with either log or coal effect burners as shown above. The LPG flame patterns (not shown) differ slightly from Natural Gas as shown.

Colour Options



Matt black stove paint



REMOTE CONTROL OPTIONS



THERMOSTATIC STANDARD

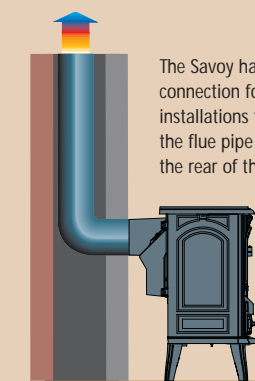
For the ultimate in convenience we offer two remote control systems for the Savoy gas stove:

- The standard remote control system allows you to control the flame height and heat output along with turning the stove on and off all from the comfort of your favourite armchair.
- The thermostatic remote control system also incorporates a programmable timer in the handset that allows you to specify when the stove will ignite and extinguish and the overall room temperature to be maintained. The system can be programmed for each day of the week, ensuring that you always come home to a warm welcome whatever the weather!

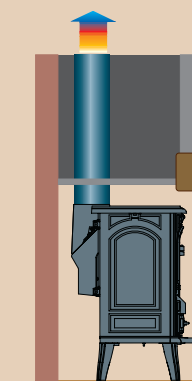
07

S A V O Y S T A N D A R D F L U E S P E C I F I C A T I O N S

Dimensions:	660mm H x 535mm W x 484mm D
Flue dia (internal)	125mm
Height from floor to centre of rear flue:	545mm
Fuel:	Natural Gas / LPG
Weight:	82.5 Kgs
Input:	
Natural Gas	6.5 Kw
LPG	6.0 Kw
Output:	
Natural Gas	4.9 Kw • Product Code: 1540706
LPG	4.5 Kw • Product Code: 1540707



The Savoy has a rear flue connection for installations that require the flue pipe to exit from the rear of the stove.



There is also a top flue outlet for installations that require the flue pipe to travel from the top of the stove.

Savoy

With over 70 years experience designing some of Europe's finest wood, multi-fuel and gas fired cast iron stoves Franco Belge also produce a range of superbly detailed stoves, designed specifically for oil burning.

Offering economy, convenience, safety and quality design, the Franco Belge range of oil fired room heaters feature a host of innovative features that make stove ownership a real pleasure.

The Savoy cast iron oil stove produces up to 8kw of heat output, enough to banish the worst winter chills. With a large ceramic glass door panel, the coal effect burner can be enjoyed to maximum effect, whilst a choice of top or rear flue outlet facilitates ease of installation in your home.

- All cast iron construction
- Realistic solid fuel effect fire and flame pattern
- Patented "double wall" vapourising burner system designed to give maximum efficiency
- No electrical supply required
- Top or rear flue outlet
- Matt black traditional stove paint finish
- High working efficiency of 79.9%

Colour Option



Matt black stove paint



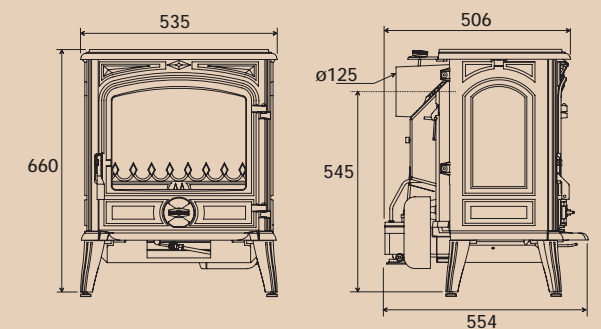
CAST IRON PLINTH



All Franco Belge oil stoves are supplied with an attractive solid cast iron plinth with adjustable feet. The stove can be installed on this plinth without the need for a hearth. If a hearth is being used instead it must be of a non-combustible material at least 12mm thick. Please consult the technical manual for full details.

SAVOY OIL FIRED STOVE SPECIFICATIONS

Flue diameter:	125mm
Height from floor to centre of rear flue:	545mm
Fuel:	28-second oil (kerosene)
Weight:	100Kgs
Fuel Consumption:	0.25 L/hr min - 0.95 L/hr max
Output:	1.9 - 8Kw • Product Code: 1741056



Free air requirement for the Savoy oil stove - 1650mm²

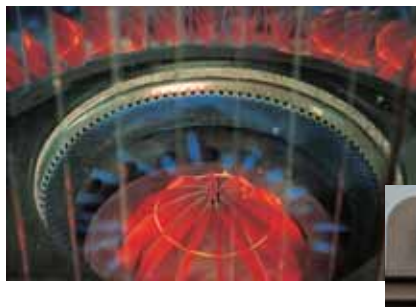
All dimensions in mm, unless stated otherwise.

Le Burgundy

The large panoramic door of Le Burgundy allows an uninterrupted view of the clean burning flame, which features a reflective surface within the combustion chamber to enhance the appearance of the fire. Le Burgundy is also supplied with a coal kit as standard.

Using a special vapourising burner, ensures maximum economy with low running costs without the need for any electricity. This makes for an appliance you can rely on to gently warm your home 24 hours a day - even during a power cut! Add to this the very low maintenance with no messy cleaning, Le Burgundy oil fired stove offers unrivalled roomheating convenience.

10



Stainless steel catalyser and temperature control allow for precise room heating.

- All cast iron construction
- Realistic solid fuel effect fire and flame pattern
- Patented "double wall" vapourising burner system designed to give maximum efficiency
- No electrical supply required
- Top or rear flue outlet
- Matt black traditional stove paint finish
- High working efficiency of 81.4%

Colour Option



Matt black stove paint



CAST IRON PLINTH

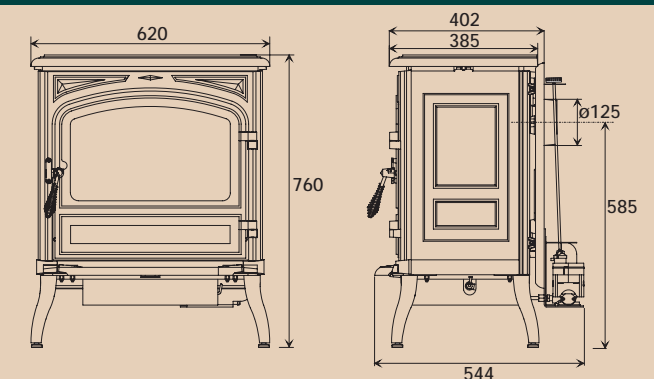


All Franco Belge oil stoves are supplied with an attractive solid cast iron plinth with adjustable feet. The stove can be installed on this plinth without the need for a hearth. If a hearth is being used instead it must be of a non-combustible material at least 12mm thick. Please consult the technical manual for full details.

11

BURGUNDY OIL FIRED STOVE SPECIFICATIONS

Flue diameter:	125mm
Height from floor to centre of rear flue:	585mm
Fuel:	28-second oil (kerosene) 35-second oil (diesel)
Weight:	118Kgs
Fuel Consumption:	0.25 L/hr min - 1.27 L/hr max
Output: kerosene	1.9 - 10Kw • Product Code: 1741056
diesel	1.9 - 10Kw • Product Code: 1741055



Free air requirement for the Burgundy oil stove - 2750mm²

All dimensions in mm, unless stated otherwise.

The finest cast iron stoves with the convenience of gas or oil!

Franco Belge have over 70 years experience designing and manufacturing some of the world's finest wood-burning and solid-fuel cast iron stoves, these skills have now been used extensively to create a stunning range of gas and oil fired stoves.

All our gas stoves are equipped with the latest gas safety features and even the optional convenience of full remote control. A wide range of gas and burner options ensure there is a stove ideally suited to your installation, there is even a flueless model that requires no flue or chimney to operate and is suitable for many installations that would otherwise be unsuitable for a stove.

A cast iron oil fired stove is the ideal solution where gas supplies are not readily available. Manufactured to the highest standards of workmanship our oil stoves provide plenty of cosy warmth with real ambience from the solid fuel effect fire. Our patented 'double wall' high efficiency burner further increases the performance of these stoves.

The advantages of cast iron

All Franco Belge stoves are constructed from top grade cast iron for a lifetime of dependable service. There are many benefits of cast iron over other materials - for example, once the fuel has expired the stove will retain heat for much longer. Cast iron has also proved to be more durable under high temperatures than other materials. Unlike steel, cast iron can be moulded into a large range of textures and designs giving our stoves their traditional appeal and added beauty. The optional deep enamel finishes add another dimension to our stoves and benefit from being easily kept clean.

Notes:



All Franco Belge Gas Stoves must be fitted by CORGI registered gas fitters and all installations must conform to Building Regulations. Children and the elderly must be protected from the high temperatures at which the stoves operate and combustibles must be kept at a safe distance.

Franco Belge Standard Gas Stoves are suitable for use with Class I and Class II chimneys in most circumstances and will connect to a 127mm (5") flue.

Ideal flue types are i) Pre-cast fire blocks, ii) Pre-cast chimney blocks and iii) Ridge-tile vents.

For Class I chimneys we recommend that the chimney be lined with a 125mm diameter flue liner suitable for use with closed gas appliances.

Whilst we have made every effort to depict our flames as accurately as possible, the printing process may cause colour to vary slightly in this brochure.

All pictures are for illustration purposes only.

The stated heat outputs are approximate and therefore should be used only as a guide.

Your local dealer:

 **FRANCO BELGE**

 **ACR**

ACR Heat Products Limited, Unit 1, Weston Works, Weston Lane, Tyseley Birmingham B11 3RP, England

Tel: 0121 706 8266 Fax: 0121 706 9182

E-mail: enquiries@acrheatproducts.co.uk www.acrheatproducts.co.uk

Franco Belge, Staub Fonderie S.A. 59660 Merville, France. Tel: 0033 3 28 43 43 00, Télécopie: 00 33 28 43 48 61

Issue 2 / December 2009