

  
*Nordpeis*



Woodburning stoves for every occasion

**ACR**   
HEAT PRODUCTS LTD





# Nordpeis

Welcome to our stunning range of stoves from traditional to ultra-modern

The Nordpeis range of woodburning and multifuel stoves are the culmination of over 20 years of industry knowledge to bring you the finest in home heating. We offer a diverse range of stoves and fires featuring both traditional and contemporary styles to perfectly complement your interior design.

The one common theme is the high standard of design, innovation and materials used allowing us to offer a ten year warranty on appliances purchased through authorised dealers.



When you see the 'Clear Glass' logo on any of our products it means that our powerful airwash is fitted as standard to help keep glass panels clear of unsightly deposits, for a more pleasing view of the fire.



#### WARRANTY INFORMATION

Our 10 year warranty covers all stove body castings, it does not include consumable items such as glass and door seals. This 10 year warranty is only applicable when the stove is purchased from one of our recommended retailers. If a stove from any of our brands is purchased from a non-recommended retailer then only a 12 month warranty will be applicable as outlined below.

All stoves are covered by a 1 year castings warranty when purchased through a non-recommended retailer. The warranty covers the stove body castings only and does not include consumable items such as grates, firebricks, vermiculite panels, baffles, log guards, door rope and glass.

Any warranty claims should be addressed to your original supplier and accompanied with the date of purchase and serial number of the appliance.

#### FUEL RECOMMENDATIONS

We do not recommend the use of housecoal with our products. We recommend the use of seasoned wood with a maximum moisture content of 20% with our products. You are advised to check the compatibility of the fuel you intend to use with your chosen stove before you commit to buy.

#### OUTPUTS

Nordpeis stoves produce varying degrees of heat. In order to calculate whether an appliance will be suitable for your room please consult your local dealer for advice. As a general rule of thumb you will need approximately 1 Kw of heat for every 14 cubic metres of room-space (based on an outdoor temperature of 0°C). Measure your room's height, width and depth to obtain a total cubic metres figure and divide by 14. This calculation can be influenced by other factors such as levels of insulation and number of windows, so treat your final figure as a guideline only. Your dealer will be happy to provide you with a more accurate calculation.

#### THE ENVIRONMENT

We all have an obligation to protect the environment and preserve its future. Making informed energy decisions now will reflect in the environment around us in the years to come.

Woodburning is a highly efficient way of heating your home and by choosing a Nordpeis stove you can make a difference now to reducing your carbon emissions. Wood is environmentally friendly as it consumes more carbon dioxide whilst growing than it emits when burning. Wood is also one of the few fuels which is renewable in our lifetime. The Carbon Trust recognises wood as a carbon neutral fuel (see table below):

Fuel	Kgs of CO2 per week
Electricity	128 Kg
Coal	116 Kg
Oil	88 Kg
Gas	63 Kg
Coal/water 50% mix	58 Kg
Wood	Zero Kg

#### SEASONING & STORING LOGS

We recommend that our customers select seasoned wood purchased from a sustainable forest management scheme, to ensure that the wood you use will be replaced using reliable methods. For more information please visit [www.acrheatproducts.co.uk](http://www.acrheatproducts.co.uk). Trees contain a lot of water, freshly cut logs will contain about 50% water and will be difficult to burn and may cause excessive tar deposits on glass panels, stove components and the flue pipe. We recommend that logs should be cut to the required lengths and stored outside in a manner that allows air to circulate, but under cover so they are protected from rain. If possible, it is always best to season the wood for two years before burning reducing water content to about 20%.



## contents

Stove	Page
Heritage N25	4/5
Heritage N22	6/7
Trio range	8/9
Casa	10/11
Smarty range	12/13
Saturn	14/15
Orion	16/17
Boston	18/19
Roma	20/21
London	20/21
Manhattan	22/23
Jersey	22/23







Character and warmth in a thoroughly modern package



N25 doors in closed position

Manufactured from premium grade cast iron, the N25 is larger of the two classic fireplaces we offer. Just relax and enjoy the character of a real fire with the doors open or safely smouldering away with the doors closed, giving you the best of both worlds. The N25 is the perfect stove for creating a stunning inglenook setting.

When burning wood, these appliances are designed to be highly efficient in comparison to a traditional open fire. Featuring a powerful airwash system to help keep the large glass panels clear of unsightly deposits when the doors are closed, the N25 is also equipped with secondary combustion to give greater efficiency and lower emissions to protect the environment. Fitted with a Thermotte lining, the interior also remains clean.

A matching canopy is available as an option for the N25 to give your fireplace a distinctive finishing touch.

With a powerful output of up 12 Kw the N25 will provide enough heat to keep even the harshest winter chills at bay.

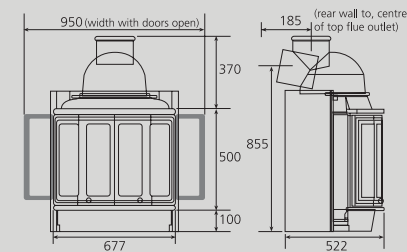


#### Features at a glance

- Genuine cast iron construction for durability and real stove charm
- Doors can be opened for a real crackling open fire experience
- Attractive feature canopy is available for creating a stunning inglenook style installation
- A powerful airwash system ensures that the glass door panels remain clear of deposits
- 10 year guarantee on stove castings

#### N25 specifications

Fuel	Wood
Nominal output	12 Kws
Efficiency	70.3%
Weight	150 Kg
Flue outlet	Top/rear
Flue diameter	175 mm
Max log length	45 cm



#### Colour option

- Traditional matt black stove paint

#### N25 optional canopy specifications

Height	1070 mm
Depth at base	560 mm
Depth at top	280 mm
Width at base	850 mm
Width at top	300 mm

All dimensions are quoted in mm unless stated otherwise.







N22 doors in closed position

The N22 is our smaller cast iron fireplace but retains all the features of its big brother the N25. With the doors open, enjoy the genuine crackling real fire atmosphere, or with the doors closed the N22 will safely keep your room warm for extended periods. The N22 is suitable for inglenook style settings, especially when fitted with the optional matching canopy - a real eye catching room feature.

The N22 is a dedicated woodburner and is much more efficient than a traditional open fire with none of the draughts you can experience with open grate fires. Unsightly deposits on the glass door panels are kept to a minimum by a powerful airwash, whilst a secondary combustion system ensures greater efficiency and lower emissions to protect the environment. Our Thermotte lining will keep the inside of the stove looking clean.

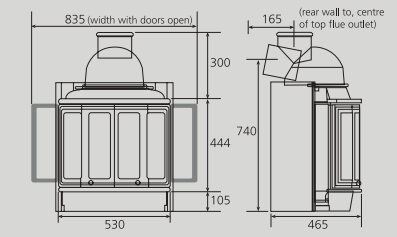
With up to 8 Kw of heat output the N22 is a very capable woodburning fireplace that will create a wonderful centrepiece for many years to come.

Features at a glance

- Genuine cast iron construction for durability and real stove charm
- Compact dimensions make the N22 suitable for smaller rooms
- Doors can be opened for a real crackling open fire experience
- Attractive feature canopy is available for creating a stunning inglenook style installation
- A powerful airwash system ensures that the glass door panels remain clear of deposits
- 10 year guarantee on stove castings

N22 specifications

Fuel	Wood
Nominal output	8 Kws
Efficiency	66.2%
Weight	100 Kg
Flue outlet	Top/rear
Flue diameter	150 mm
Max log length	40 cm



Colour option

- Traditional matt black stove paint

N22 optional canopy specifications

Height	1005 mm
Depth at base	500 mm
Depth at top	253 mm
Width at base	710 mm
Width at top	232 mm

All dimensions are quoted in mm unless stated otherwise.







Trio 1



Trio 2



Trio 3

The Trio range offers three stunning options based around the same highly efficient woodburning stove. With a sophisticated airwash system the glass door panels are kept clear of unsightly deposits for an uninterrupted view of the fire. Our secondary combustion system ensures that less harmful emissions reach the atmosphere whilst increasing overall efficiency, whilst a convection system draws cool air in at the base and, once heated, circulates it back to the room. There is also an option to draw air from outdoors rather than using room air, this would normally mean additional room ventilation is no longer required.

All 3 models are lined with Therмотte to help keep the interior sides looking clean.

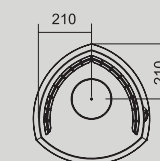
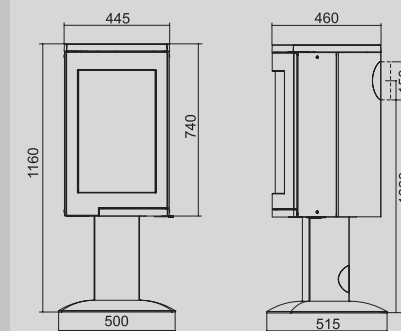
The Trio looks fantastic in any setting with its curved glass door and glazed side panels with clean, modern styling. The option of three different supports further allows you to tailor the stove to suit your setting. The Trio 1 has a single central pedestal and base plate and can even be height adjusted by up to 12cm. The Trio 2 has a column base that perfectly integrates with the shape of the stove with the glass side panels continuing to the floor, creating a convenient storage area. Finally the Trio 3 is a three legged design that creates a wonderful contemporary look in any room.

Features at a glance

- Environmentally clean and efficient woodburning stove with convection system
- Range of leg and support options
- Option to draw combustion air supply from outdoors rather than using room air
- Airwash and secondary combustion standard on all models
- 10 year guarantee on stove castings

Trio specifications

Fuel	Wood
Nominal output	5.5 Kws
Efficiency	70.4%
Weight	115 - 125 Kg
Flue outlet	Top/rear
Flue diameter	150 mm
Max log length	30 cm



Above dimensions refer to the Trio 1, but are applicable to all three models - please visit our website or consult your local Nordpeis dealer for more detailed specifications.

Colour option

- Metallic black

All dimensions are quoted in mm unless stated otherwise.





The chrome handle stays warm to touch rather than hot



Air convection grills help circulate warm air around your room

The Casa has a wonderful style all of its own - a very popular choice for a wide range of settings, both contemporary and traditional. Manufactured from cast iron and steel the Casa has a range of features designed to enhance the woodburning stove experience.

Top vents gently convect warm air from the stove to the room whilst a special airwash system helps to keep the front and side glass panels clear of unsightly deposits for a better view of the fire. Secondary combustion reduces emissions and increases efficiency and in turn helps to protect the environment. Our Thermotte firebox lining will keep the inside of the stove looking clean even after continuous use. There is also an option to draw air from outdoors rather than using room air, this would normally mean additional room ventilation is no longer required.

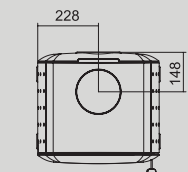
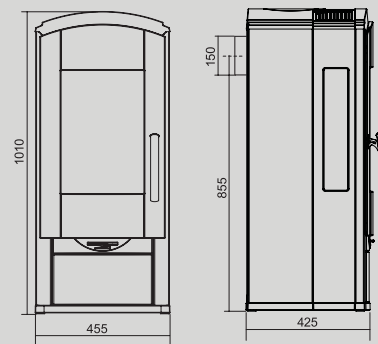
The large chrome handle has been designed to remain warm to touch without getting hot for ease of handling. Add to this the top and rear flue outlets, a choice of black or anthracite finish and style in abundance the Casa is a stove to grace any home.

#### Features at a glance

- Cast iron and steel construction for durability and real stove charm
- Environmentally clean and efficient woodburning stove with convection system
- Chrome door handle remains only warm to touch for ease of handling
- Option to draw combustion air supply from outdoors rather than using room air
- Airwash and secondary combustion system
- 10 year guarantee on stove castings

#### Casa specifications

Fuel	Wood
Nominal output	6 Kws
Efficiency	78%
Weight	112 Kg
Flue outlet	Top/rear
Flue diameter	150 mm
Max log length	30 cm



#### Colour options

- Black
- Anthracite

All dimensions are quoted in mm unless stated otherwise.







Smarty Rail 190 (190 - 1900mm height)



Smarty Rail 115 (115 - 1150mm height)



Smarty One (910mm height)



Smarty Stone (910mm height)



Smarty Classic (910mm height)

The Smarty range of cast iron stoves is a real visual treat. At its heart the Smarty is powered by a classic cast iron stove with an abundance of modern features. These include a powerful airwash system to keep the glass door panel clear of unsightly smoke deposits and secondary combustion to greatly reduce any harmful emissions into the atmosphere. There is also an option to draw air from outdoors rather than using room air, this would normally mean additional room ventilation is no longer required. The Thermotte lined firebox ensures the inside of the stove remains looking clean.

Add to this all the Smarty range options and you can let your creative mind run wild with stunning room features. The Smarty rail is available in two sizes with integral log shelf, and on the 190 model optional drying/towel racks are a clever addition. The Smarty One adds a pedestal support for a very contemporary look ideal for many modern installations, as is the Smarty Stone with artistically styled stone twin legs. Finally the Smarty Classic is a very modern stove in every sense, with the classic four legged look of a traditional stove.

Optional towel rack for use with Smarty Rail

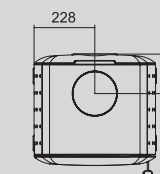
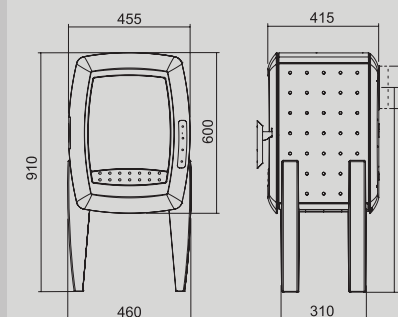


Features at a glance

- Genuine cast iron construction for durability and real stove charm
- Compact and efficient multifuel stove
- Wide range of leg and support options
- Option to draw combustion air supply from outdoors rather than using room air
- Airwash and secondary combustion standard on all models
- 10 year guarantee on stove castings

Smarty specifications

Fuel	Wood
Nominal output	5 Kws
Efficiency	76.8%
Weight	from 60 Kg
Flue outlet	Top/Rear
Flue diameter	150 mm
Max log length	30 cm



Dimensions refer to the Smarty Classic - for dimensions on the entire Smarty range, please visit our website or consult your local Nordpeis dealer.

Colour option

■ Metallic black

Colour option refers to cast iron components of the Smarty. Rail options are brushed stainless steel and pedestals are matt black steel.

All dimensions are quoted in mm unless stated otherwise.







The chrome door lock is operated by a wooden handle conveniently stored under the stove

The latest model in our range of stoves, the Saturn features clean modern styling with all the character you would expect from a traditional woodburning stove. Manufactured from premium grade cast iron for excellent heat transfer and retention, the Saturn will retain its warmth long after the fire has expired, helping to keep your home snug and warm.

A powerful airwash system keeps the glass door panel clear of unsightly deposits, ensuring a clearer view of the flames, whilst the firebox is lined with Thermotte keeping the inside of the stove looking clean. Convenient features, such as the door lock handle that attaches to the base of the stove when not in use, show the attention to detail that has gone into this contemporary design.

With top, rear and side flue outlets the Saturn is straightforward to install and makes a perfect addition to a variety of rooms including medium sized living rooms, kitchen and studios.

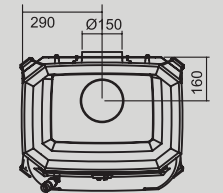
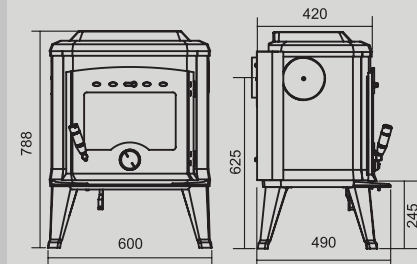


#### Features at a glance

- Genuine cast iron construction for durability and real stove charm
- Easy to install with a choice of top, rear and side flue outlets
- Sophisticated airwash for cleaner glass
- Wooden door handle can be conveniently stored on underside of stove
- 10 year guarantee on stove castings

#### Saturn specifications

Fuel	Wood
Nominal output	7.5 Kws
Efficiency	73%
Weight	115 Kg
Flue outlet	Top/rear/side
Flue diameter	150 mm
Max log length	45 cm



#### Colour option

- Traditional matt black stove paint

All dimensions are quoted in mm unless stated otherwise.







Cosy and warm - the traditional cast iron stove



The Orion is the ideal choice to heat a small living room, studio, conservatory or workshop.

This attractive woodburning stove is manufactured from premium cast iron to ensure excellent heat transfer and heat retention long after the fire has burned out. You can therefore be assured that the maximum amount of heat will be radiated into the room from a relatively small stove.

The Orion is simplicity itself, traditionally styled but combined with the benefits of modern technology to provide you with plenty of heat to keep you snug and warm on even the coldest of days.

The useful hot plate can be used to keep a kettle simmering away or a casserole gently cooking should there ever be a power cut.

Featuring a glass door for a view of the flickering flames, you can be sure of a warm welcome wherever you chose to install the Orion.

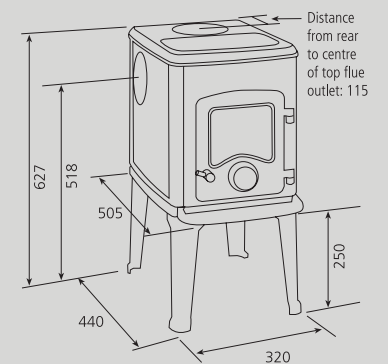


Features at a glance

- Genuine cast iron construction for durability and real stove charm
- Compact and efficient woodburning stove
- Integral hotplate on stove top
- Easy to install with a choice of top, rear and side flue outlets
- No additional room ventilation required
- 10 year guarantee on stove castings

Orion specifications

Fuel	Wood
Nominal output	4 Kws
Efficiency	73%
Weight	60 Kg
Flue outlet	Top/Rear/Sides
Flue diameter	125 mm
Max log length	30 cm



Colour option

- Traditional matt black stove paint

All dimensions are quoted in mm unless stated otherwise.







The stunning Boston suite consists of our N24 woodburning stove insert in traditional black and complete fireplace surround. The N24, with its large curved glass door, is fitted with a powerful airwash system to help keep the glass deposit free. The N24 also features a secondary combustion system for greater efficiency, and with greatly reduced emissions is kinder to the environment.

The Boston fireplace is cast from concrete and is supplied in a neutral finish, in either flat wall or corner setting options, enabling it to be decorated in any colour choice to complement your room decor and create a truly individual and stunning centrepiece. Discreet air grills incorporated into the top section of the stove allows warm air from the convection chamber to gently drift back into the room. The Boston will provide up to 12Kw of heat ensuring that even the most contemporary home will be kept warm and cosy during even the coldest of winter days.



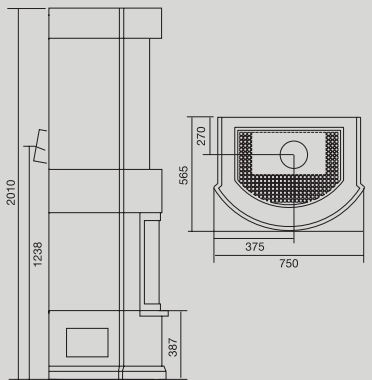
Features at a glance

- Cast iron stove insert and cast concrete fireplace surround
- Surround can be finished in your choice of colour to suit your room decor
- Environmentally clean and efficient woodburning stove with convection system
- Airwash and secondary combustion system
- Both corner and flat wall options available
- 10 year guarantee on stove castings

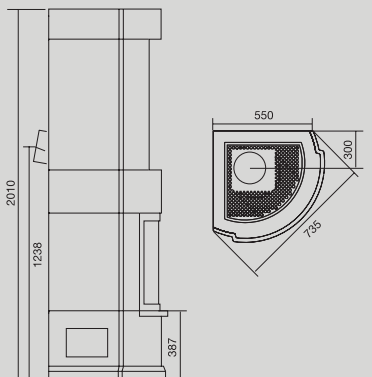
Boston specifications

Fuel	Wood
Nominal output	12 Kws
Efficiency	78.6%
Weight	310 Kg
Flue outlet	Top/rear
Flue diameter	150 mm
Max log length	39 cm

Flat wall Boston dimensions



Corner Boston dimensions



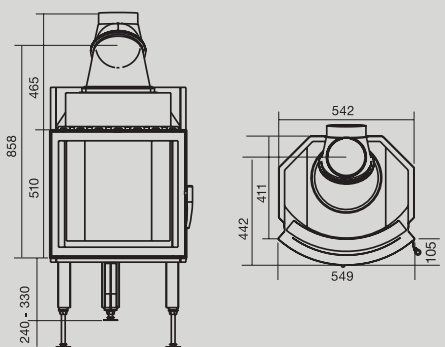
Colour options

- Matt black stove frame
- Neutral finish fireplace surround

All dimensions are quoted in mm unless stated otherwise.



N24 insert specifications



Matt Black (standard)



Chrome (option)



Brass (option)

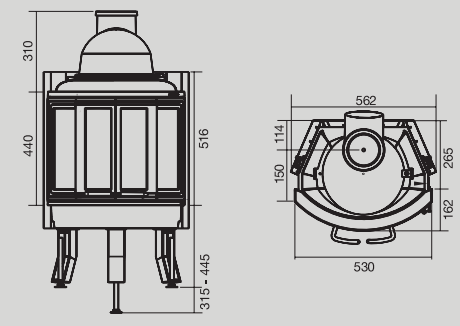




Roma



NI22 insert specifications

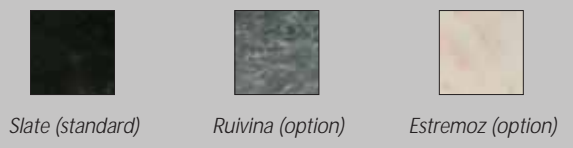


The Mediterranean style Roma suite includes the NI22 stove insert with panoramic or folding doors and the curved oval fireplace surround.

The NI22 features secondary combustion to increase efficiency and reduce harmful emissions. A powerful airwash system keeps the glass door as clean as possible from deposits. Air grills incorporated into the top section of the stove allow warm air from the convection chamber to gently drift back into the room.

The surround has a neutral finish so it can be painted any colour you wish to fit in with your own colour scheme. A choice of either a brass, chrome or matt black finish door adds a further touch of style.

The floor plate and bench, included as part of package, are available in three finish options:



Matt black (standard)



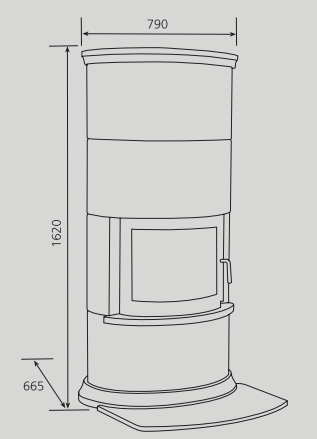
Chrome (option)



Brass (option)

Roma specifications

Fuel	Wood
Nominal output	8 Kws
Efficiency	66.2%
Weight	308 Kg
Flue outlet	Top/rear
Flue diameter	150 mm
Max log length	35 cm



Neutral finish fireplace surround

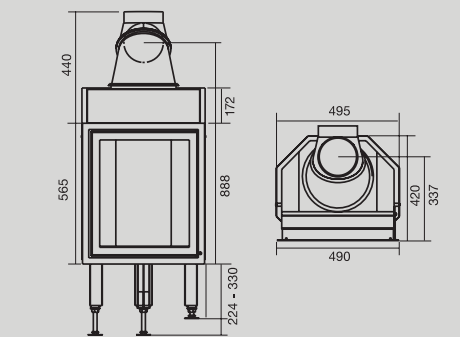
All dimensions are quoted in mm unless stated otherwise.



London



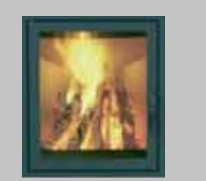
N21 insert specifications



The London fireplace suite is the perfect choice for the modern home. Supplied with the N21 fireplace insert it features a powerful airwash system to help keep the large glass door panel clear of deposits and secondary combustion to help reduce emissions and increase efficiency.

A choice of either a brass, chrome or matt black finish door adds a further touch of style. The London fireplace is supplied in a neutral finish allowing it to be decorated to perfectly match your chosen setting. A stunning black or green glass surround is fitted to the fireplace and a matching hearth panel completes the beautiful aesthetics of this suite.

With an output of up to 10 Kw and a built in convection system the London will gently heat even the furthest corners of your room, whilst creating an elegant and dramatic focal point in your home.



Matt black (standard)



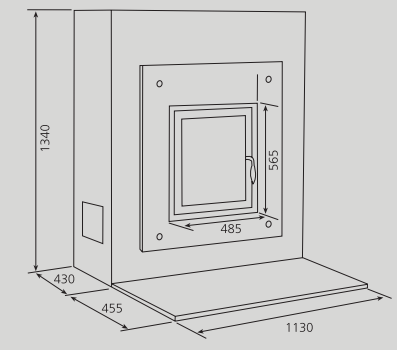
Chrome (option)



Brass (option)

London specifications

Fuel	Wood
Nominal output	10 Kws
Efficiency	79.2%
Weight	280 Kg
Flue outlet	Top/rear
Flue diameter	150 mm
Max log length	35 cm



Neutral finish fireplace surround



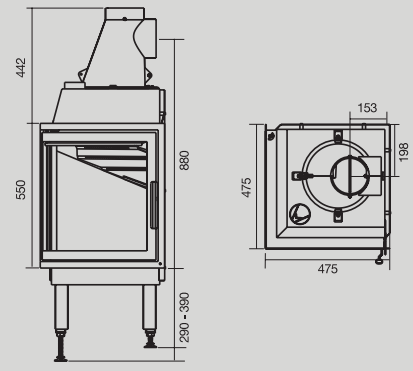


## Manhattan

**CLEAR GLASS**

**TEN WARRANTY YEAR**

### N36 insert specifications



The Manhattan suite has a commanding look in a room as it stretches from the floor towards the ceiling. The Manhattan is supplied with the corresponding N36 insert which is available in three colour choices, Matt Black as standard and Brass or Matt Chrome as optional extras.

Featuring a strong airwash system to help keep the glass clean and free from deposits, this stove also benefits from secondary combustion to increase the efficiency of the stove and help reduce emissions.

Air vents towards the top of the unit allow warm air from the stove to circulate around the room making the most of the heat efficiency from this stove.

The surround comes in a neutral finish which can be painted in any shade you wish to compliment your interior design.

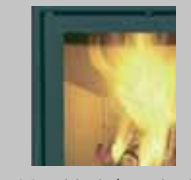
The floor plate and bench, included as part of package, are available in two finish options:



Ruivina (standard)



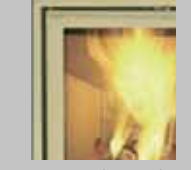
Estremoz (option)



Matt black (standard)



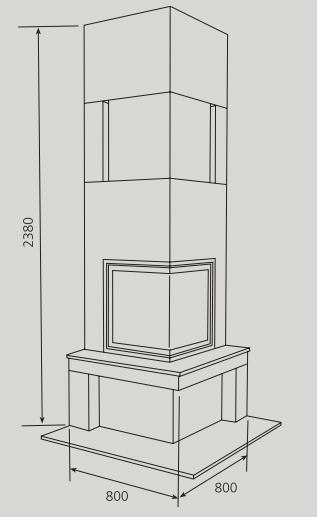
Matt chrome (option)



Brass (option)

### Manhattan specifications

Fuel	Wood
Nominal output	10 Kws
Efficiency	80.2%
Weight	400 Kg
Flue outlet	Top/rear
Flue diameter	150 mm
Max log length	35 cm



Neutral finish fireplace surround

All dimensions are quoted in mm unless stated otherwise.

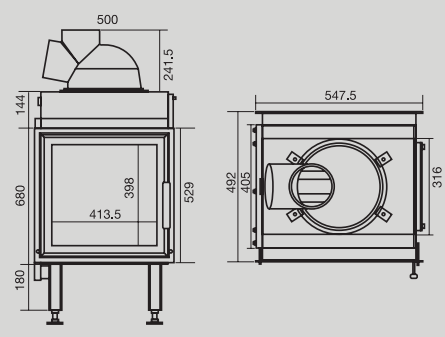


## Jersey

**CLEAR GLASS**

**TEN WARRANTY YEAR**

### N23G insert specifications



The Jersey fireplace suite is designed as a central room feature with the double-side N23G stove insert set into a concrete surround that can be painted in a colour of your choice.

The N23G features our sophisticated airwash and secondary combustion systems for cleaner glass, reduced emissions and higher efficiency. Convection air vents allow additional warm air from the stove to circulate around the room.

The Jersey can also be sited against a non-combustible wall if preferred.

A wide range of stove frames, fireplace frame and hearth options are available to create your dream feature fireplace:



Jersey with Sand finish concrete frame & hearth with anthracite stove frame

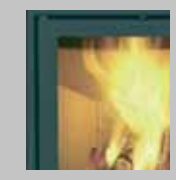
Black glass frame & hearth

Slate concrete frame & hearth

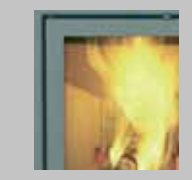
Sand concrete frame & hearth

Ruivina frame & hearth

Stainless steel frame & hearth



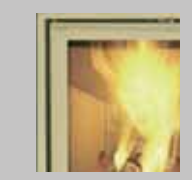
Matt black (standard)



Anthracite (option)



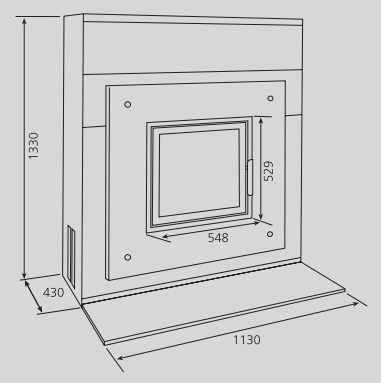
Matt chrome (option)



Chrome (option)

### Jersey specifications

Fuel	Wood
Nominal output	6 Kws
Efficiency	70.5%
Weight	350 Kg
Flue outlet	Top/rear
Flue diameter	150 mm
Max log length	30 cm



Neutral finish fireplace surround



## Notes



Your local dealer:

Issue 1 / September 2009



**Nordpeis**

ACR Heat Products Limited, Unit 1, Weston Works, Weston Lane, Tyseley  
Birmingham B11 3RP, England.

- Tel: 0121 706 8266
- Fax: 0121 706 9182
- E-mail: [enquiries@acrheatproducts.co.uk](mailto:enquiries@acrheatproducts.co.uk)
- [www.acrheatproducts.co.uk](http://www.acrheatproducts.co.uk)

All installations shown in this brochure are for illustrative purposes only. All actual installations must comply with the latest building regulations and Nordpeis installation manuals.  
Please note that due to limitations of the printing process, colour reproduction of the stoves may vary slightly from those shown. Please consult your dealer for more accurate colour matching.  
Nordpeis reserves the right to amend any specifications herein or to make any product design changes. The specifications, dimensions and information shown within our brochures are provided for information purposes only and are not binding. With the aim of constantly improving our equipment, all modifications considered necessary may be made without notice.