

# AGA

## STOVES



Gas, Electric, Wood and Multi Fuel Stoves

Cosy warmth, exceptional design





## THE AGA STORY

For over 95 years AGA has remained at the forefront of engineering excellence. AGA stoves embody the best AGA traditions and employ the very latest technology. When you invest in an AGA stove, you are acquiring a talking point and a centrepiece for your home. AGA stoves are brought to you by the manufacturers of the world famous AGA range cooker. They are assembled by hand by skilled craftsmen, giving each one a personal touch and unique quality.

---

## CONTENTS

- 3 Engineering Excellence
- 4 A Fuel to Suit Your Home
- 5 Eco Design
- 6 Find Your Ideal Stove
- 8 Working with Cast Iron
- 9 Working with Steel

### Electric Stoves

---

- 10 Ellesmere
- 12 Ludlow

### Gas Stoves

---

- 13 Ellesmere
- 14 Ludlow

### Wood Burning Stoves

---

- 16 Little Wenlock Classic & SE
- 18 Ludlow & Ludlow SE
- 20 Wren
- 21 Westbury
- 22 Ellesmere Eco
- 24 Lawley
- 26 Dorrington
- 28 Hadley
- 30 Hanwood
- 31 Product Specification



# ENGINEERING EXCELLENCE

With a reputation for technical excellence, AGA stoves are amongst the best you can buy. Each model is individually designed to ensure that the air flows around the stove in the most efficient way possible, while all components are manufactured to the highest technical standards.

## **QUALITY CONTROL**

Every AGA stove is subjected to a detailed quality control inspection before it is allowed to leave the factory.

## **FLEXIBILITY**

AGA stoves are available in all fuel types from Gas, Electric, Wood and Solid Fuel. With various sizes and styles to choose from, the AGA stoves range is designed to fit your home.

## **ACTIVE AIRFLOW TECHNOLOGY**

Selected AGA stoves incorporate the latest Active Airflow technology, to deliver the most efficient use of energy and to protect the environment from harmful emissions. This process not only guarantees that you achieve the maximum heat output from your chosen fuel, but also helps to keep the window clean and clear, so that you can enjoy the flame picture to the full.



# A FUEL TO SUIT YOUR HOME

We have compiled a short guide to help you decide what fuel type is best for you and suits your needs.



## **ELECTRIC**

Electricity is the most versatile and easily controlled form of energy. It is increasingly produced from renewable sources, such as wind, water and sunlight.

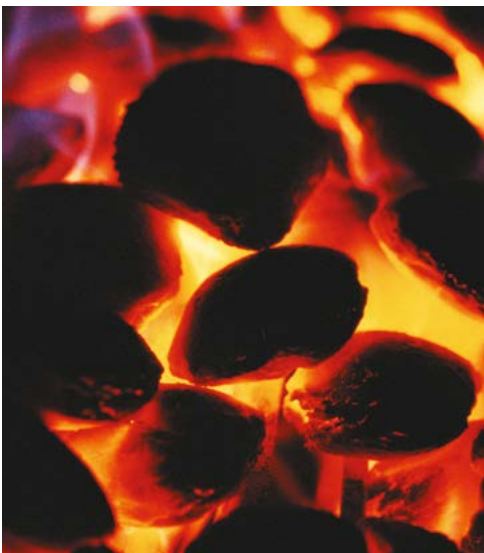
AGA stoves in electric include our Ellesmere EC and Ludlow EC stoves.



## **GAS**

Natural gas is environmentally friendly because it burns more cleanly than other fossil fuels. Natural gas is extremely reliable, and offers controllable power in your appliances.

Our Ellesmere EC and Ludlow EC stoves are available in natural gas and LPG models are also available for more remote locations.



## **SOLID FUEL**

Solid fuel is not only economical but it also produces a fantastic glowing flame, approved smokeless fuels are low emission and environmentally friendly.

Solid fuel is an efficient and economical method of heating your home 24 hours a day, whatever the weather. There are a wide range of fuels available and, in general, homes heated by solid fuel stoves can benefit from reduced condensation - helping to eliminate household mould.



## WOOD

A renewable resource and the most environmentally friendly fuel to burn.

Nothing can compare with the roar and crackle of a real wood fire.

AGA stoves are clean burning and highly efficient. Burning timber is cost effective and helps to conserve fossil fuels. For the best effect, only dry, seasoned timber should be used. You can recognise dry wood by the fact that the bark comes away easily. Fresh green wood can have a moisture content of up to 90%, which makes it slow to ignite, produces steam, reduces the efficiency of the stove and can lead to excess sooting, which in turn, reduces the visibility of the flame picture and increases particulate emissions to the environment.



## TESTED AND TRUSTED

AGA Stoves are designed manufactured and tested to meet the highest levels of compliance.

AGA Stoves meet all current and future legislation, class leading efficiencies including Stoves which are 2022 ECO compliant.

All of our AGA stoves are third party approved covering safety and performance and carry the CE mark.

Our approvals are all carried out in the UK. All Solid Fuel, Multi Fuel, Wood and Electric stoves have been certified by Kiwa UK for your complete peace of mind.



# FIND YOUR IDEAL STOVE

## There are a number of factors to consider when deciding on which stove will be best suited to your requirements:

- Size of room/property to be heated – our handy guide at the foot of this page will help your initial thoughts on heat required – this is a guide and actual requirement should always be confirmed by an experienced installation engineer.
- Fuel type available to you, or preferred.
- Do you live in an area subject to smoke control regulations?

The AGA stove collection has many options available to you, there are however a number of more technical issues that do need to be considered as well and these are best addressed by contacting one of our recognised AGA Stove retailers for professional advice on your requirements.

## Stove products, in particular the solid fuel and gas appliances, require a full assessment to be made so that consideration can be given to –

- Heat outputs of the stoves compared to the heat requirement of the location – you do not want to be either too hot, or too cold!
- The location within the property.
- The availability or the provision of suitable flue arrangements.
- The fuel type required and design.
- Meeting any required ventilation requirements.
- Fireplace construction/floor protection.

## The AGA Stove Retailer will offer –

- Technical advice.
- Presale surveys to check suitability of the chosen appliance, its positioning and fluing.
- Professional installation by their own or recognised sub contract engineers who hold the required technical qualifications.
- Provision upon completion of all appropriate documentation – installation certificates for your home information pack – vital should you look to sell your property at some future date.
- Peace of mind with a full back up service should the need arrive with warranty cover and or the provision of an annual servicing going forward.

Great stoves deserve competent and correct installation so that you can be sure they are functioning as they were designed to do. That way, you can enjoy your stove and rest assured that it is working to the best possible standard.

Contact your AGA Stove Specialist on

**0845 338 1365** or go to **agaliving.com**.



To find out which Stove is your perfect match, measure your room, then use this calculation to find your room size in metres<sup>3</sup> and the heat output in kW of the stove.

$$\boxed{\phantom{000}} \times \boxed{\phantom{000}} \times \boxed{\phantom{000}} = \boxed{\phantom{000}} \times .0606 = \boxed{\phantom{000}} \text{ KW}$$

Height (m) Length (m) Width (m)

# ELECTRIC

## Contemporary Steel Stoves



Ellesmere  
EC5



Ellesmere  
EC5W



Ludlow  
EC5



Ludlow  
EC5W

# GAS

## Contemporary Steel Stoves



Ellesmere  
EC5



Ellesmere  
EC5W



Ludlow  
EC5



Ludlow  
EC5W

# SOLID FUEL & MULTI FUEL

## Classic Cast Iron Stoves



Little Wenlock  
Classic & SE



Little Wenlock



Ludlow & SE



Wren

## Contemporary Steel Stoves



Ellesmere  
EC4



Ellesmere  
EC5



Ellesmere  
EC5W



Ludlow  
EC5



Ludlow  
EC5W



Westbury



Lawley



Dorrington



Hadley



Hanwood



Still not sure which AGA Stove is right for you?

Call your local AGA Stove dealer on **0845 338 1365** who will be able to help you select the right stove for your home.

AGA

CLASSIC STOVES

# WORKING WITH CAST IRON

To make a stove which is both beautiful to look at and practical to run, you have to start with the right materials – a high quality metal, which is precision cast and expertly finished by skilled craftsmen.



## BEAUTIFUL DESIGN FEATURES

The beautiful cast iron panels of an AGA stove are individually moulded in a hand finished 'cast'. This means that we can create the gentle curves and exquisite design details which are the hallmark of a high quality stove.



## EXCELLENT HEAT RETENTION

Cast iron is renowned for its heat retention properties, which is why we use it in our world famous AGA cookers. The heat stored whilst the stove is lit continues to be released into the room, long after the embers have died away.



## OUTSTANDING BUILD QUALITY

Our stoves are manufactured to the highest possible standards. They carry the CE mark, meaning that they comply with the essential requirements of the relevant European health, safety and environmental protection legislation. They are also all HETAS listed with a five year parts and one year labour warranty\*.

\*Does not apply to consumable items; glass, bricks etc.



**AGA**

CONTEMPORARY STOVES

# WORKING WITH STEEL

The AGA Contemporary stoves are truly exceptional. These stoves are designed to the highest standards and are manufactured from high grade steel, which allows us to produce truly inspiring designs that will be sure to attract attention in any space. With a variety of styles, sizes and outputs not to mention excellent efficiencies and DEFRA smoke exemption on selected stoves, there is a model to suit every home.



## BEAUTIFUL DESIGN FEATURES

Clever door opening features, breathtaking flame pictures not to mention strong, smooth lines and exquisite curves. Some AGA Contemporary stoves are also external air ready\*, meaning that they can be installed in such a way that an outside air supply can be channelled directly into the stove.



## EXCELLENT EFFICIENCY

Cutting edge engineering ensures that the AGA Contemporary steel stoves deliver the highest efficiencies. In addition, all of the multi fuel contemporary stoves are DEFRA Smoke Exempt, so they can be used in UK smoke control zones.



## OUTSTANDING BUILD QUALITY

AGA Contemporary stoves are built to last. All models are vigorously tested and engineered to ensure they are easy to control and a pleasure to use, whilst providing a stunning flame picture.



**A+** Energy Rating  
EC5

**A** Energy Rating  
EC5W

0.9kW -  
1.9kW



0.9kW -  
1.9kW

## ELLESMERE EC5 & EC5W ELECTRIC

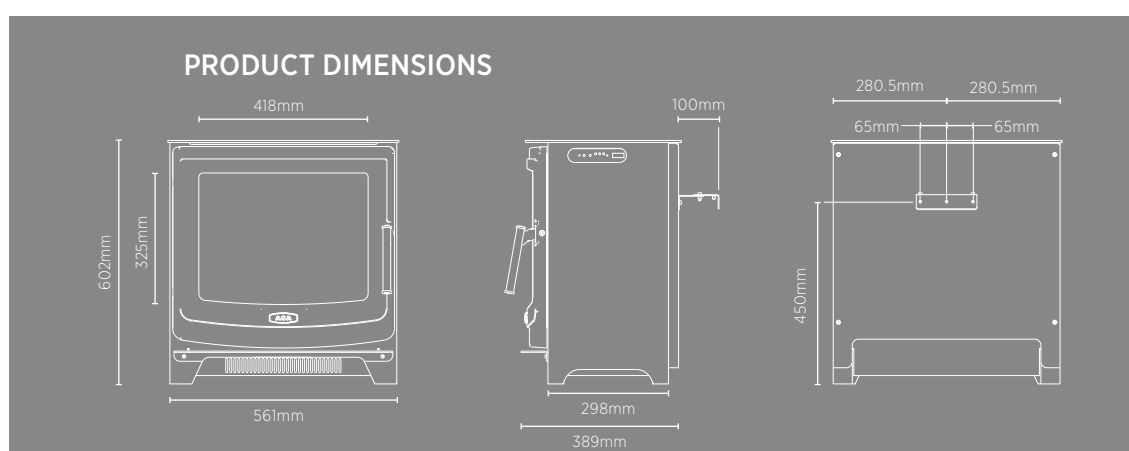
The NEW electric Ellesmere EC stoves from AGA perform brilliantly. Available in 2 sizes, the 5 and the 5Wide, and with heat outputs from 0.9kW to 1.9kW, both models make a stunning statement in your home.

Installation is easy with only a 13 amp supply required and a 12mm plinth\* making these easy to site anywhere in your home. You can create your own flame picture by adjusting the flame patterns using a combination of red, blue and yellow options. You can adjust the downlighter in the top of the stove allowing you to create an ambient light on the stove.

The Ellesmere EC comes complete with a remote allowing you to thermostatically control the temperature and programme the stove to your requirements. This range of stoves have a cast iron door and top with steel bodies. There is an option of a cast iron flue collar allowing you to create the look of a wood burning stove in your home. View our video at [agaliving.co.uk](http://agaliving.co.uk).

You can rest assured that the quality of an AGA stove is guaranteed as all models are manufactured and tested in the UK.

STOVE	WIDTH (MM)	HEIGHT (MM)	DEPTH (MM)
Ellesmere EC5	428	533	380
Ellesmere EC5W	561	602	389



Dimensions shown are for the Ellesmere EC5 Wide

 **MADE AND TESTED  
IN BRITAIN**

\*Depending on where you locate your stove

**A+** Energy Rating  
EC5

**A** Energy Rating  
EC5W

0.9kW -  
1.9kW



0.9kW -  
1.9kW

## LUDLOW EC5 & EC5W ELECTRIC

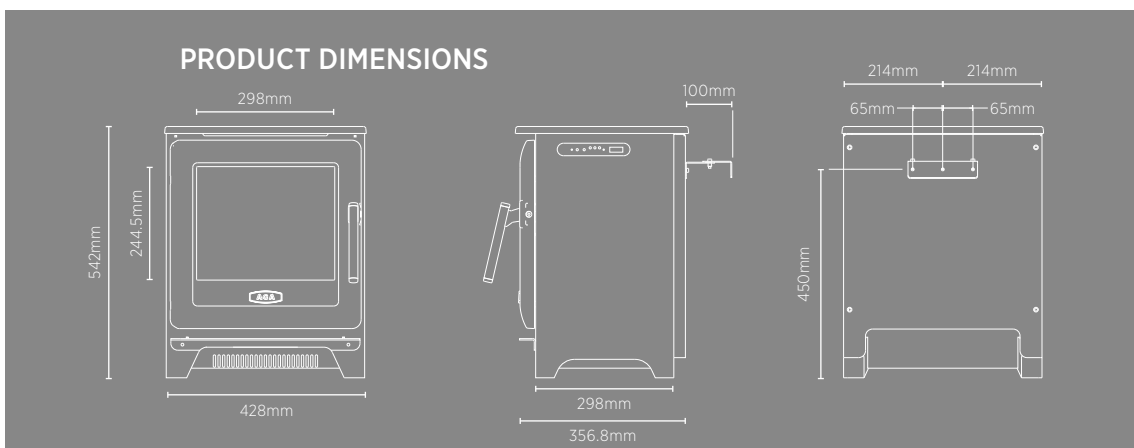
As an alternative design, the NEW electric Ludlow EC stoves from AGA perform brilliantly. Available in 2 sizes, the 5 and the 5Wide, and with heat outputs from 0.9kW to 1.9kW, both models make a stunning statement in your home.

Installation is easy with only a 13 amp supply required and a 12mm plinth\* making these easy to site anywhere in your home. You can create your own flame picture by adjusting the flame patterns using a combination of red, blue and yellow options. You can adjust the downlighter in the top of the stove allowing you to create an ambient light on the stove.

The Ludlow EC comes complete with a remote allowing you to thermostatically control the temperature and programme the stove to your requirements. View our video at [agaliving.co.uk](http://agaliving.co.uk). There is an option of a cast iron flue collar allowing you to create the look of a wood burning stove in your home.

You can rest assured that the quality of an AGA stove is guaranteed as all models are manufactured and tested in the UK.

STOVE	WIDTH (MM)	HEIGHT (MM)	DEPTH (MM)
Ludlow EC5	428	542	356.8
Ludlow EC5W	561	612	356.8



Dimensions shown are for Ludlow EC5

 **MADE AND TESTED  
IN BRITAIN**

**A+** Energy Rating  
EC5

**A** Energy Rating  
EC5W

2kW -  
5.5kW



2kW -  
5.5kW

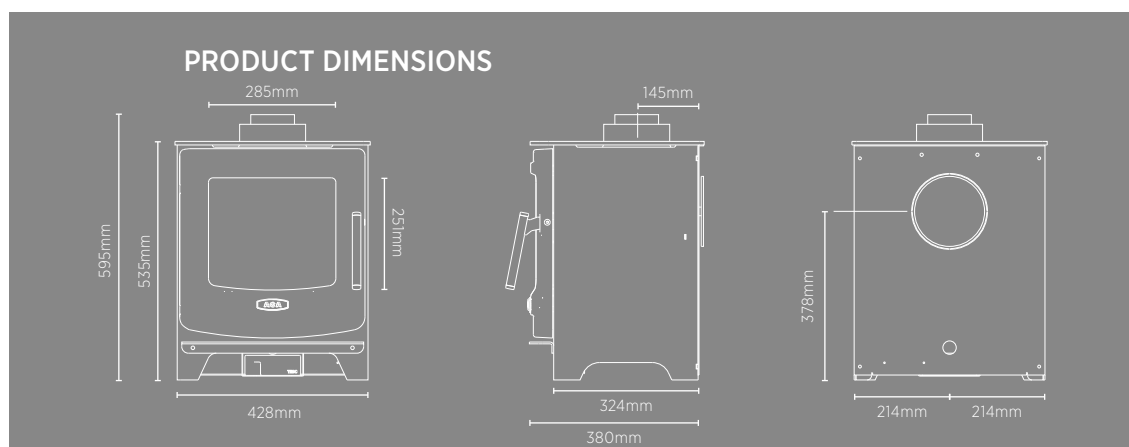
## ELLESMERE EC5 & EC5W GAS

The Ellesmere EC gas stoves offer both beauty and practicality to your home. Available in 2 sizes, our 5 and 5Wide, these new additions to the AGA stove family offer beauty and performance. With steel bodies and cast iron doors, this range of stoves look great in contemporary and traditional spaces.

Packed with features such as twin glazing as standard, heat outputs from 2kW to 5.5kW and fully programmable with radiant and conventional heat output. A rated for energy efficiency and low running costs for your home. The flame pattern from this gas stove is both beautiful and powerful creating a perfect cosy atmosphere. Included in every model is a ceramic log fuel bed and a set of quality media.

You can rest assured that the quality of an AGA stove is guaranteed as all models are manufactured and tested in the UK.

STOVE	WIDTH (MM)	HEIGHT (MM)	DEPTH (MM)
Ellesmere EC5	428	595	380
Ellesmere EC5W	563	683	380



Dimensions shown are for Ellesmere EC5

 **MADE AND TESTED  
IN BRITAIN**



**A+** Energy Rating  
EC5

**A** Energy Rating  
EC5W

2kW -  
5.5kW



2kW -  
5.5kW

## LUDLOW EC5 & EC5W GAS

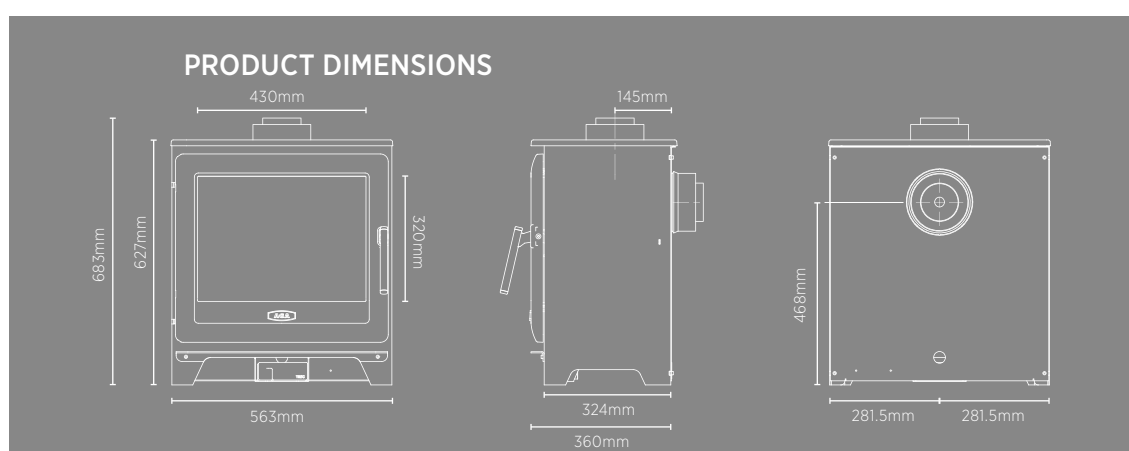
Our Ludlow EC stoves are available in 2 sizes, our 5 and 5Wide. The Ludlow collection offers a unique style to your home and performs exceptionally.

Made with steel bodies and cast iron doors and top, this range of stoves looks great in all types of homes.

Packed with features such as twin glazing as standard, heat outputs from 2kW to 5.5kW and fully programmable with radiant and conventional heat output. A rated for energy efficiency and low running costs for your home. The flame pattern from this gas stove is both beautiful and powerful creating the perfect cosy atmosphere in your home. Included in every model is a ceramic log fuel bed and a set of quality media.

You can rest assured that the quality of an AGA stove is guaranteed as all models are manufactured and tested in the UK.

STOVE	WIDTH (MM)	HEIGHT (MM)	DEPTH (MM)
Ludlow EC5	428	594	360
Ludlow EC5W	563	683	360



Dimensions shown are for the Ludlow EC5 Wide

 **MADE AND TESTED  
IN BRITAIN**

**A+** Energy Rating Classic  
**A** Energy Rating SE



4.9kW - 5.3kW

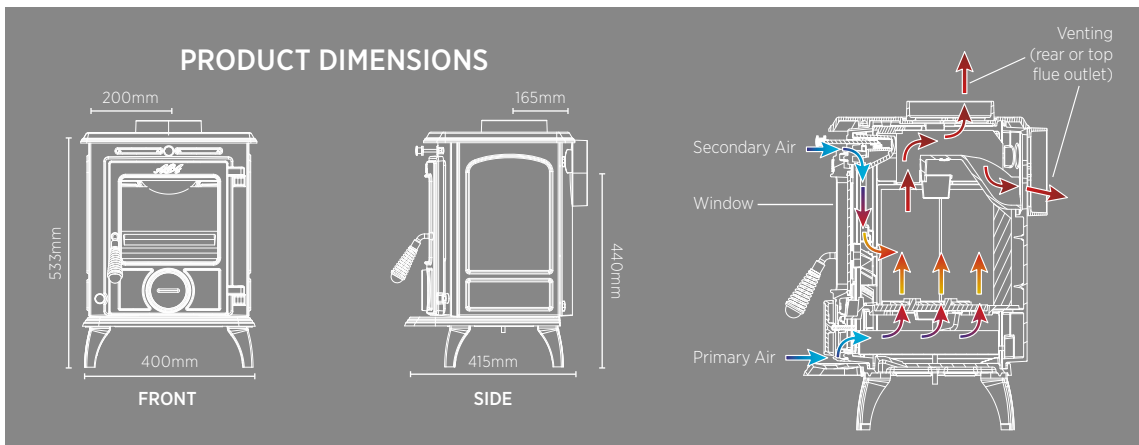
## LITTLE WENLOCK CLASSIC & SE

The Little Wenlock Classic is the perfect blend of old and new, it combines cutting edge design with traditional casting beauty. A small cast iron multi-fuel stove with dedicated preheated secondary air and a nominal heat output of up to 4.7kW. It offers top or rear flue connection, a high chrome riddling grate, a built-in ash pan, combustion air control, interchangeable wood burning plate and one of the most effective air-wash systems available to keep the glass clean. The Little Wenlock Classic is 81% efficient.

The Little Wenlock Classic is also available in a dedicated smoke exempt (SE) version. The low particulate emissions from the SE model ensure that it is fully approved to burn wood and solid fuel in smoke exempt zones (typically associated with urban centres of population).

FUEL TYPE	FLUE	WINDOW	AIR WASH
Solid Fuel and Wood	Top or Rear	Plain	Yes

Please consult your dealer for more details.



### RECOMMENDED SOLID FUEL TYPES

Wood, coal, anthracite and peat briquettes (see page 7 for details).



ALSO AVAILABLE AS





**A** Energy Rating



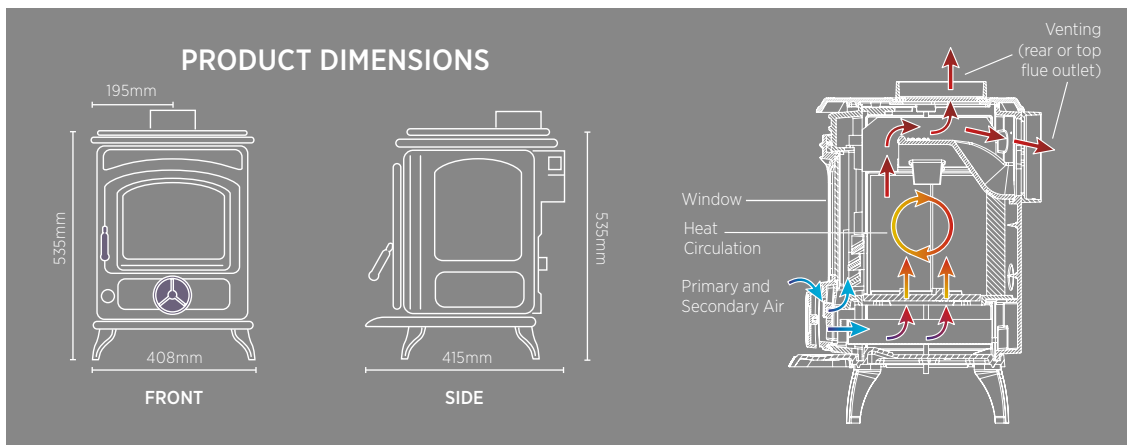
4.2kW - 5.7kW

## LITTLE WENLOCK

The Little Wenlock is a highly versatile stove. With traditional moulded detailing, arched side panels and the distinctive wire handle so reminiscent of an AGA - this stove is certain to look perfect in almost any setting. Featuring a nominal output of up to 5.7kW with 79% efficiency, this solid fuel and wood stove is ideal for small to medium sized rooms.

FUEL TYPE	FLUE	WINDOW	AIR WASH
Solid Fuel and Wood	Top or Rear	Plain	Yes

Please consult your dealer for more details.



### RECOMMENDED SOLID FUEL TYPES

Smokeless - Ancit, Centurion, Coalite (Nuts), Maxibrite, Phurnacite, Sunbrite (Doubles), Extracite, Blazeprite, Anthracite (Large Nuts), Welsh Dry Steam Coal (Large Nuts), Dry Seasoned Wood (see page 7 for details).



MATT BLACK

ACTIVE AIRFLOW SYSTEM



WOOD



SOLID FUEL



**A Energy Rating**



6.6kW - 7.1kW

## LOUDLOW & LUDLOW SE

The Ludlow is a medium sized multi fuel stove with a nominal heat output of 6.5kW and an efficiency rating of 76% when burning wood logs. It has a removable shaker grate, ash pan, fire fence and front ash tray. As well as being simple and easy to use, it can be left to burn overnight.

It features the classic AGA black “cool touch” wire handle and will look equally at home in a traditional or contemporary setting.

The Ludlow has been designed to exude a similar look to the existing AGA Stoves range, precisely engineered to give an effective air-wash system. This is controlled with pinpoint accuracy by the dedicated, preheated tertiary air intake.

The Ludlow wood burning stove is now also available in a dedicated smoke exempt model (SE). The low particulate emissions from the SE model ensure that it is fully approved to burn wood in smoke exempt zones (typically associated with urban centres of population).

FUEL TYPE	FLUE	WINDOW	AIR WASH
Solid Fuel and Wood	Top or Rear	Plain	Yes
Wood (SE only)	Top or Rear	Plain	Yes

Please consult your dealer for more details.

### PRODUCT DIMENSIONS

### RECOMMENDED SOLID FUEL TYPES

Wood, coal, anthracite and peat briquettes (see page 7 for details).



ACTIVE AIRFLOW SYSTEM



ALSO AVAILABLE AS



\*Solid fuel option is not available on the Smoke Exempt model.

**A** Energy Rating



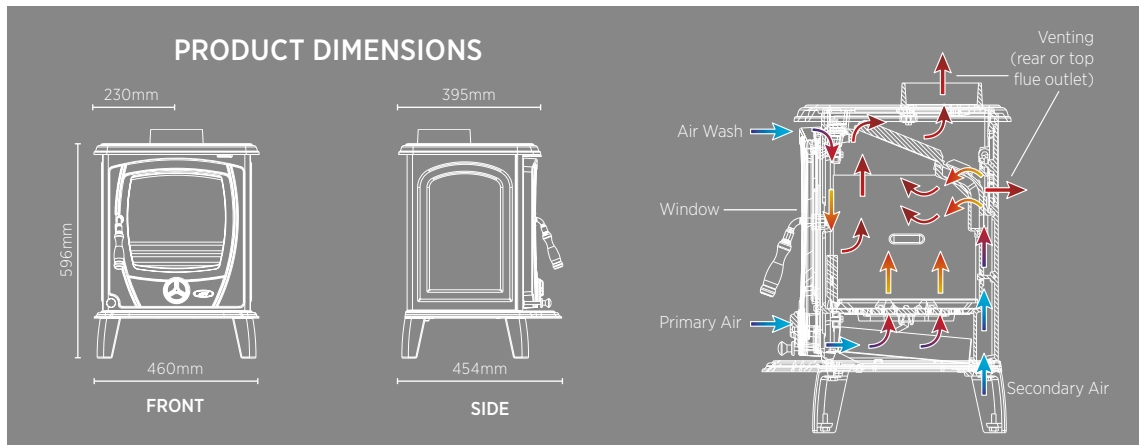
4.8kW - 4.9kW

## WREN

The Wren's neat style suits urban living and is powerful enough to heat open-plan rooms. The clean design lines and large viewing glass offer a stunning contemporary take on a traditional stove design. The Wren provides a nominal heat output of 4.8kW with 77% efficiency and can be flued into a standard fireplace opening.

FUEL TYPE	FLUE	WINDOW	AIR WASH
Solid Fuel and Wood	Top or Rear	Plain	Yes

Please consult your dealer for more details.



### RECOMMENDED SOLID FUEL TYPES

Smokeless - Ancit, Centurion, Coalite (Nuts), Maxibrite, Phurnacite, Sunbrite (Doubles), Extracite, Blazebrite, Anthracite (Large Nuts), Welsh Dry Steam Coal (Large Nuts), Dry Seasoned Wood (see page 7 for details).



**A Energy Rating**



5.9kW

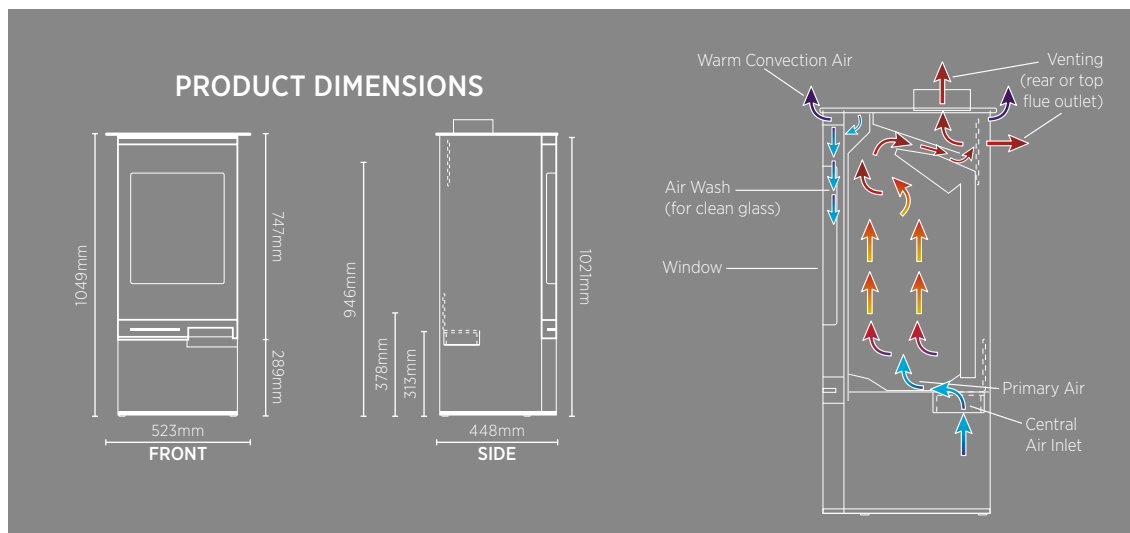
## WESTBURY

The Westbury wood burning stove will draw the attention of everyone in the room thanks to its huge glass door and striking flame picture. With 78% efficiency and a nominal heat output\* of 5.9kW, the Westbury will comfortably keep the room cosy and warm. The Westbury is a Smoke Exempt stove, so it is fully approved to burn wood in smoke exempt zones.

\*Higher or lower outputs can be obtained by lengthening or shortening the refuelling interval.

FUEL TYPE	FLUE	WINDOW	AIR WASH
Wood	Top or Rear	Plain	Yes

Please consult your dealer for more details.



### RECOMMENDED SOLID FUEL TYPES

Dry Seasoned Wood Logs (see page 7 for details).



ACTIVE AIRFLOW SYSTEM





A+ EC4 & EC5

A EC5W



## ELLESMERE AND LUDLOW EC RANGE

Stoves in this range have steel bodies and cast-iron doors and have the classic good looks the Ellesmere and Ludlow collections are well known for. They have been updated to ensure the very best aesthetics, enhanced performance and, importantly, they're 2022 compliant and DEFRA approved, giving you peace of mind that you have a stove that meets the very latest standards for efficiency and a cleaner burn performance. All of our new stoves achieve an A for energy efficiency with some models achieving A+.

The cleverly designed air control comes in a stunning stainless steel finish and allows you to switch between solid fuel and wood as well as controlling the air intake. The end result is fabulous controllability and a magnificent flame picture.

There are 3 sizes of Ellesmere EC and 2 sizes of Ludlow EC to choose from, and each model has the option of a top or rear flue connection. All models can burn wood and solid fuel.

**PRODUCT DIMENSIONS**

**FRONT**      **SIDE**

STOVE	DIMENSION (mm)					
	A	B	C	D	E	F
Ellesmere EC4	548.5	372	186	150	355	427
Ellesmere EC5	566	430	215	150	379.5	437
Ellesmere EC5W	636	563	281.5	150	392.5	507

**FRONT**      **SIDE**

STOVE	DIMENSION (mm)					
	A	B	C	D	E	F
Ludlow EC5	566	430	215	150	300	437
Ludlow EC5W	637	563	281.5	150	360	507

### THE FOLLOWING SOLID FUEL TYPES ARE RECOMMENDED

Smokeless - Ancit, Centurion, Coalite (Nuts), Maxibrite, Phurnacite, Sunbrite (Doubles), Extracite, Blazeprite, Anthracite (Large Nuts), Welsh Dry Steam Coal (Large Nuts), Dry Seasoned Wood.







**A+** Energy Rating



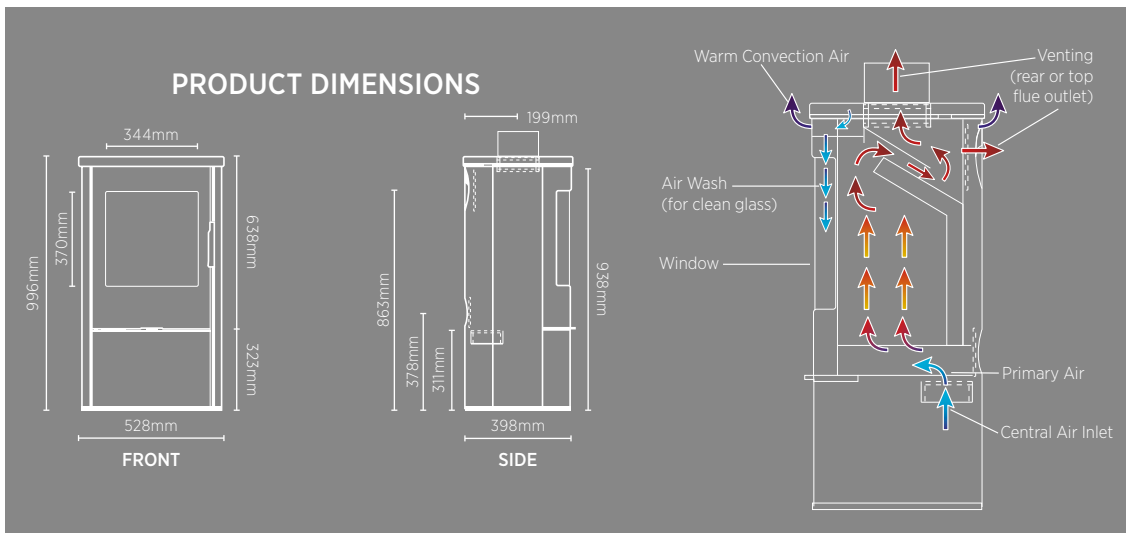
## LAWLEY

The Lawley wood burning stove provides a stunning flame picture with simple to use controls. Boasting a nominal output\* of 4.4kW and one straight forward control to regulate the air intake, the Lawley is ideal for the family home. The Lawley pedestal stove incorporates a clever rotating feature - perfect for those larger rooms with a number of seating areas, simply rotate the stove to enjoy the great flame picture. With 80% efficiency, the Lawley uses preheated secondary air to ensure the glass is kept clean. The Lawley is also a Smoke Exempt stove, so it is fully approved to burn wood in smoke exempt zones and is available with either a pedestal or a handy wood store base.

\*Higher or lower outputs can be obtained by lengthening or shortening the refuelling interval. \*\*When used with a top flue.

FUEL TYPE	FLUE	WINDOW	AIR WASH
Wood	Top or Rear	Plain	Yes

Please consult your dealer for more details.



### RECOMMENDED SOLID FUEL TYPES

Dry Seasoned Wood Logs (see page 7 for details).



ACTIVE AIRFLOW SYSTEM





**A+** Energy Rating



6kW

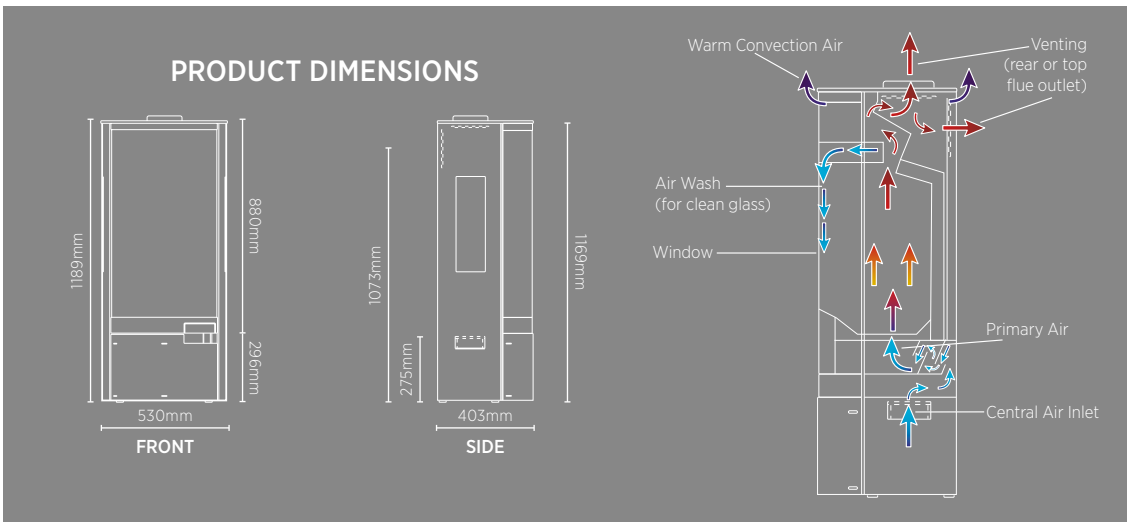
## DORRINGTON

A truly beautiful model, the Dorrington wood burning stove adds inspiration to any space it fills. With a high efficiency at 80% and a 6kW nominal output\* it is ideal for medium and large living areas. The Dorrington features windows on either side as well as an ample front glass to ensure you can see the flame effect from virtually anywhere in the room. With one straight forward control to regulate the air intake, the Dorrington uses pre-heated secondary air to ensure the glass is kept clean. The Dorrington is a Smoke Exempt stove, so it is fully approved to burn wood in smoke exempt zones.

\*Higher or lower outputs can be obtained by lengthening or shortening the refuelling interval.

FUEL TYPE	FLUE	WINDOW	AIR WASH
Wood	Top or Rear	Plain	Yes

Please consult your dealer for more details.



### RECOMMENDED SOLID FUEL TYPES

Dry Seasoned Wood Logs (see page 7 for details).



ACTIVE AIRFLOW SYSTEM





**A Energy Rating**



8kW

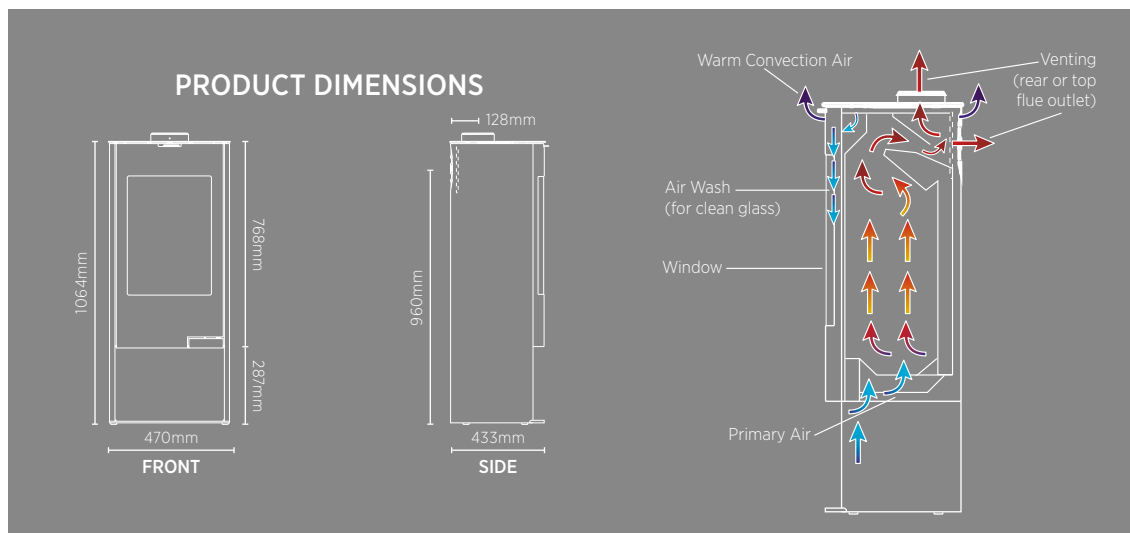
## HADLEY

The clean lines of the Hadley wood burning stove will appeal to those looking for an honest, unfussy design. With its impressive height and beautiful flame effect, the Hadley will bring warmth and comfort to the coldest room. A secondary air intake ensures that the glass remains clear for you to enjoy the flame picture and with an 8kW nominal heat output\* the Hadley will comfortably heat most rooms. With 75% efficiency, the Hadley is a Smoke Exempt stove, so it is fully approved to burn wood in smoke exempt zones. The primary air control is easily reached under the ash compartment.

\*Higher or lower outputs can be obtained by lengthening or shortening the refuelling interval.

FUEL TYPE	FLUE	WINDOW	AIR WASH
Wood	Top or Rear	Plain	Yes

Please consult your dealer for more details.



### RECOMMENDED SOLID FUEL TYPES

Dry Seasoned Wood Logs (see page 7 for details).



ACTIVE AIRFLOW SYSTEM



**A** Energy Rating



9.9kW

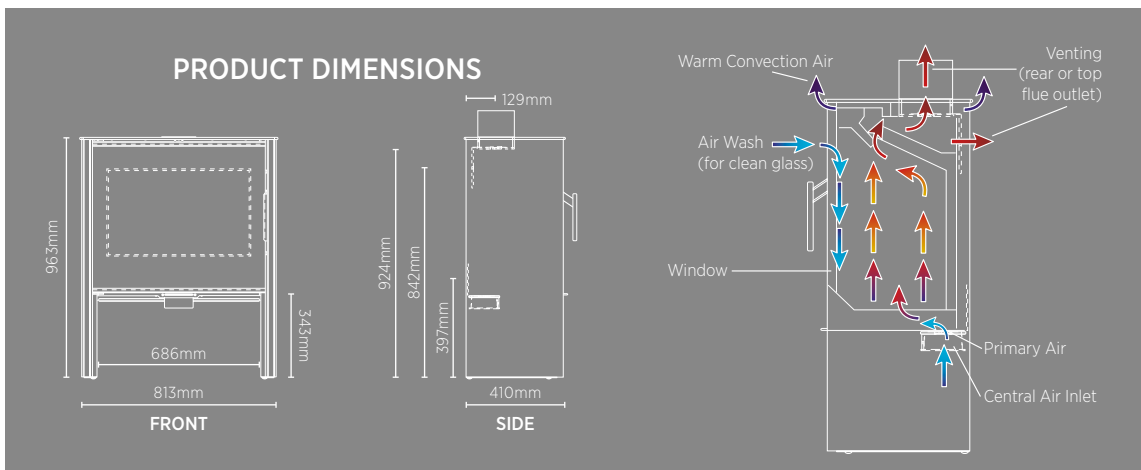
## HANWOOD

With its strong lines and large flame picture, the Hanwood wood burning stove makes itself the contemporary heart of any room. Creating comfort and warmth, the Hanwood is a medium sized stove with a nominal output\* of 9kW and high efficiency of 79%. Ideal for the family home the Hanwood stove is ultra controllable as well as being Smoke Exempt (fully approved to burn wood in smoke exempt zones), so, wherever you live, the Hanwood will fit right in. You can also store your logs underneath in the handy log store.

\*Higher or lower outputs can be obtained by lengthening or shortening the refuelling interval.

FUEL TYPE	FLUE	WINDOW	AIR WASH
Wood	Top or Rear	Plain	Yes

Please consult your dealer for more details.



### RECOMMENDED SOLID FUEL TYPES

Dry Seasoned Wood Logs (see page 7 for details).



ACTIVE AIRFLOW SYSTEM



# PRODUCT SPECIFICATION

PLEASE NOTE - all solid fuel and wood burning stoves now require an energy rating label to be displayed on the product. All AGA stoves are third party certified and comply with the Ecolabelling requirements. All of our AGA Stoves achieve an A or A+ energy efficiency rating. If you would like more information, please go to our website [agaliving.co.uk](http://agaliving.co.uk).

Models	Nominal Heat Output*				Efficiency		
	Space				Wood	MSF	Energy Efficiency Rating
	Gas	Electric	Wood	MSF			
<b>Classic Cast Iron Stoves</b>							
Little Wenlock Classic	n/a	n/a	5.3kW	4.9kW	81.2%	70.1%	A+
Little Wenlock Classic SE	n/a	n/a	5.0kW	n/a	71.4%	n/a	A
Little Wenlock	n/a	n/a	5.7kW	4.2kW	79.4%	78.8%	A
Ludlow	n/a	n/a	7.1kW	6.6kW	76.2%	69.2%	A
Ludlow SE	n/a	n/a	7.1kW	n/a	76.2%	n/a	A
Wren	n/a	n/a	4.8kW	4.9kW	77.5%	78.4%	A
<b>Contemporary Steel Stoves</b>							
Westbury	n/a	n/a	5.9kW	n/a	78.1%	n/a	A
Ellesmere EC4	n/a	n/a	4.5kW	4.6kW	81.1%	80.6%	A+
Ellesmere EC5	2kW - 5.55kW	0.9kW - 1.9kW	4.9kW - 5kW	4.9kW - 5kW	84.8%	81.5%	A/A+
Ellesmere EC5W	2kW - 5.55kW	0.9kW - 1.9kW	4.9kW - 5kW	4.9kW - 5kW	77.6%	79.5%	A
Ludlow EC5	2kW - 5.5kW	0.9kW - 1.9kW	4.9kW - 5kW	4.9kW - 5kW	84.8%	81.5%	A/A+
Ludlow EC5W	2kW - 5.5kW	0.9kW - 1.9kW	4.9kW - 5kW	4.9kW - 5kW	77.6%	79.5%	A
Lawley	n/a	n/a	4.4kW	n/a	80.5%	n/a	A+
Dorrington	n/a	n/a	6kW	n/a	80.4%	n/a	A+
Hadley	n/a	n/a	8kW	n/a	75.7%	n/a	A
Hanwood	n/a	n/a	9.9kW	n/a	79.5%	n/a	A

Models	Measurements					
	Height (mm)	Width (mm)	Depth (mm)	Height to centre of rear flue (mm)	Flue outlet Dia only (mm)	Weight (kg)
<b>Classic Cast Iron Stoves</b>						
Little Wenlock Classic	533	400	415	440	125	69
Little Wenlock Classic SE	533	400	415	440	125	69
Little Wenlock	535	408	415	535	125	66
Ludlow & Ludlow SE	588	454	456	469	125	77
Wren	596	460	454	486	125	105
<b>Contemporary Steel Stoves</b>						
Westbury	1049	523	448	946	150	153
Ellesmere EC5 Electric	533	428	380	450	100/150	91
Ellesmere EC5W Electric	602	561	389	450	100/150	114.5
Ellesmere EC5 Gas	595	428	380	378	100/150	94
Ellesmere EC5W Gas	683	563	380	468	100/150	101
Ellesmere EC4	548.5	372	355	427	125	73
Ellesmere EC5	566	430	379.5	437	125	91
Ellesmere EC5W	636	563	392.5	507	125	117
Ludlow EC5 Electric	542	428	356.8	450	100/150	91
Ludlow EC5W Electric	612	561	356.8	450	100/150	100
Ludlow EC5 Gas	594	428	360	378	100/150	94
Ludlow EC5W Gas	683	563	360	468	100/150	101
Ludlow EC5	566	430	300	437	125	91
Ludlow EC5W	637	563	360	507	125	117
Lawley	996	528	398	863	150	122
Dorrington	1189	530	403	1073	150	152
Hadley	1064	470	433	960	150	110
Hanwood	963	813	410	842	150	172

\*Higher or lower outputs can be obtained by lengthening or shortening the refuelling interval. MSF = Manufactured Solid Mineral Fuel  
All details and measurements correct at time of print.



Ellesmere EC5W

Nominal efficiency and outputs based on refuel every 1.5 hours for wood and 4 hours for solid mineral fuel. All solid fuel AGA Stoves are tested to BS:EN13240 and HETAS approved.

**AGA STOVE FLUE REQUIREMENT:** Class 1

**NOTE:** Bituminous coals do not have the same consistency of grade as other solid fuels. Accordingly, please use only those on selected list

available from your stockist or heating engineer and only burn them on a medium or high setting. If the appliance is being operated on wood at a low setting for long periods excess tarring will result.

We recommend that you consult your AGA stockist or qualified heating engineer before making your final stove choice, to be sure the heat output and choice of fuel is most suited to your needs.

## HELPFUL ADVICE

There is an AGA stove to suit every size and style of room. We recommend that you discuss your requirements with an appointed AGA authorised stove stockist, who will be happy to advise you on the heat output and choice of fuels best suited to your needs. For more details on AGA Stoves or for help in choosing the right stove for you, please contact your local authorised stove stockist dealer.

**For further information on AGA and its exclusive range of stoves please visit [agaliving.com](http://agaliving.com).**

YOUR LOCAL  
AGA STOVE DEALER IS

AGA STOVES SALES  
0845 338 1365

[agaliving.com](http://agaliving.com)

Copyright © AGA Rangemaster Limited 2020. Brand names, words and logos are registered trademarks of AGA Rangemaster Group. AGA is a trading name of AGA Rangemaster Limited. Registered in England & Wales under registered number 3872754. Registered office: Meadow Lane, Long Eaton, Nottinghamshire, NG10 2GD England. European Union Registered Design Application No 005832797-0001/005832797-0003, AGA Ellesmere EC4, AGA Ellesmere EC5, AGA Ellesmere EC5W.

AGA continuously seeks improvements in specification, design and production of products and thus, alterations take place periodically. Whilst every effort is made to produce up-to-date literature, this brochure should not be regarded as an infallible guide to current specification, nor does it constitute an offer for the sale of any particular appliance.

