

Nordpeis

Woodburning Stoves and Fires



The Norwegian Experience...

Norway is famous for its cold winters and long nights, heavy snowfall and icy winds, and hence the fireplace has always held a special place in the hearts and homes of Norwegians.

Nordpeis was established almost 30 years ago and we have been proudly incorporating our heritage and time honoured traditions into our exquisite stoves and fires ever since. No longer just a source of essential warmth, today's modern appliances represent the most advanced developments in heating technology and the very finest standards of Norwegian contemporary design.

Your Nordpeis Expert Retailer can provide you with a Five Year Extended Warranty for your new woodburning stove or fire - please see page 51 for further details. Full warranty terms and conditions are available at www.nordpeis.co.uk.



5
Year
Extended
Warranty

www.nordpeis.co.uk

State of the Art Technology

All stoves and fires in this brochure feature Cleanburn technology so they burn wood logs with outstanding efficiency*, resulting in more heat delivery into the room and less going up the chimney. Cleanburn technology works by introducing pre-heated, secondary air into the firebox to burn the excess hydrocarbons in the smoke. Airwash air flow also helps keep the window clean, allowing you to enjoy the flames to the full. Furthermore some models also benefit from an optional External Air Combustion Facility. Many appliances in this brochure are approved to burn in Smoke Control Areas and this is shown on each relevant product page. Please see page 51 for further information.

* All efficiencies quoted in this brochure are for seasoned wood with a moisture content of less than 20%.



The Benefits of Woodburning



All Nordpeis stoves and fires are designed for woodburning only. Wood is an environmentally friendly fuel; when burnt, the carbon dioxide released into the atmosphere is approximately the same as that absorbed by the tree during growth. It is also a renewable resource, particularly when derived from plantations and cultivated woodland. For optimum results, we recommend logs should be seasoned for 2 years or more to achieve a moisture content below 20%. This will not only give twice the output of freshly felled timber but will also help to avoid a build up of tar in your flue. If you can obtain hardwood logs this is better still, as they will have a greatly increased calorific value compared to softwoods.



The Nordpeis Range



CONTEMPORARY STOVES 04 - 21

Incorporating the very best in Norwegian design and technology, this collection of high efficiency, contemporary woodburning stoves showcases style and distinction.



TRADITIONAL STOVES 22 - 25

Combining both traditional and more modern stylings, Nordpeis woodburning stoves are perfect for creating a real fire ambiance for today's homes.

TRADITIONAL FIRES 26 - 29

Designed to create a canopied centrepiece for larger fireplace inglenooks, these fires can also be built-in, utilising the bi-fold doors to create an open fire look.



CONTEMPORARY FIRES & SURROUNDS 30 - 43

A selection of contemporary woodburning cassette fires that can be perfectly paired with individual surrounds creating a truly unique focal point for the most chic of homes.



TECHNICAL INFORMATION 44 - 49

ACCESSORIES, FLUE PIPE & FURTHER INFORMATION 50 - 51

Expert Retailer Network

We take great care to ensure that our stoves and fireplaces are designed, tested and manufactured to the highest possible quality and safety standards. We are just as concerned to make certain that they are sold and installed correctly so that you enjoy years of pleasure from your purchase.

Accordingly, you will find our products are only available from experienced, independent retailers who will be happy to show you a selection of models locally in their showrooms, often fully operational. These independent retailers will discuss your individual requirements both technical (such as sizing the heat output to your room and advising on your flue type) and design, and ensure that you select the most appropriate product for your home. They will also be able to advise on, or assist with, the installation process as well as help provide any after-sales support and servicing your appliance may require in the future.

Whilst we encourage our retailers to promote fireplace products and their outlets via the internet, we do not believe suitable levels of customer care and satisfaction can be obtained from purchasing the product only online and we would strongly recommend that you consider this when undertaking your research and making a purchasing decision. Furthermore, please be aware that we do not offer technical support (beyond our statutory responsibilities) to products bought via nationwide online sales, where this support would normally be offered by one of our qualified, independent retailers.

In addition, Nordpeis stoves and fires purchased from within our Expert Retailer Network will have the additional benefit of a greatly extended warranty period, subject to terms and conditions. Full details can be found online at www.nordpeis.co.uk.

Uno 1

unrestricted flame views



Uno 1 - Pedestal Base



Key Facts

- Nominal Heat Output: 4kW
- Heat Output Range: 3kW - 6kW
- Efficiency: 82%
- Dimensions: (w x h x d) 436 x 1006 x 364mm
- Flue: 150mm (top or rear)
- Weight: 104kg
- Maximum Log Length: 300mm
- Side Windows
- Pedestal base
- Airwash & Cleanburn Systems
- Optional External Air Kit



Uno is a series of smaller stoves with the modern Scandinavian look and a range of styling options to really allow you to personalise your Uno!

Every model of Uno has an automatic lock system on the door for increased safety and comfort, whilst the three large glass windows ensure a great view of the flames from every angle.

The Uno 1 makes an impressive statement with its pedestal base giving an elevated view of the firebox, whilst maintaining the understated feel of the small, yet powerful Uno.



Uno 2 & 4

neat and compact!



Uno 2 - Log Store Base
with easy side access



Uno 4 - Log Store Base
with front access

Key Facts

- **Nominal Heat Output:** 4kW
- **Heat Output Range:** 3kW - 6kW
- **Efficiency:** 82%
- **Dimensions:** (w x h x d)
Uno 2: 420 x 1012 x 348mm
Uno 4: 420 x 907 x 348mm
- **Flue:** 150mm (top or rear)
- **Weight:** Uno 2: 91.5kg / Uno 4: 87.5kg
- **Maximum Log Length:** 300mm
- **Side Windows**
- Uno 2 - Log Store Base with easy side access
- Uno 4 - Log Store Base with front access
- Airwash & Cleanburn Systems
- Optional External Air Kit

Following on from the Uno 1, both the Uno 2 and 4 have the same firebox functionality, whilst integrating stylish log stores into the base of the stove.

The side opening to the Uno 2 ensures easy access to your log storage, whilst the Uno 4 features a closed log store area with front access to maintain its smooth and compact finish.





Nordpeis

Duo 1

high efficiency heating



Key Facts

- **Nominal Heat Output:** 5kW
- **Heat Output Range:** 3kW - 8kW
- **Efficiency:** 80%
- **Dimensions:** 490 x 1260 x 385mm (w x h x d)
- **Flue:** 150mm (top or rear)
- **Weight:** 104kg
- **Maximum Log Length:** 300mm
- **Side Windows**
- **Pedestal Base**
- **Airwash & Cleanburn Systems**
- **Optional External Air Kit**

With superb contemporary styling, the Duo 1 features a pedestal base and a large glass door and side windows that provide breathtaking flame views.

The Duo 1 features Nordpeis' latest Cleanburn technology to improve fuel efficiency, whilst a powerful Airwash system helps keep the large glass panels clean. Whether creating a feature corner or standing proudly in the centre of the room, the stylish Duo 1 has the versatility to match and reflect your own contemporary tastes.





Duo 2

outstanding focal point



Key Facts

- Nominal Heat Output: 5kW
- Heat Output Range: 3kW - 8kW
- Efficiency: 80%
- Dimensions: 470 x 1260 x 365mm (w x h x d)
- Flue: 150mm (top or rear)
- Weight: 104kg
- Maximum Log Length: 300mm
- Integral Log Store with easy side access
- Side Windows
- Airwash & Cleanburn Systems
- Optional External Air Kit

Retaining the same firebox characteristics, heat output and high efficiency as the other Duo stoves, the Duo 2 benefits from the further functionality of an integral log store.







Duo 4

function and form combined



Key Facts

- Nominal Heat Output: 5kW
- Heat Output Range: 3kW - 8kW
- Efficiency: 80%
- Dimensions: 470 x 1260 x 365mm (w x h x d)
- Flue: 150mm (top or rear)
- Weight: 104kg
- Maximum Log Length: 300mm
- Integral 'Hidden' Log Store
- Side Windows
- Airwash & Cleanburn Systems
- Optional External Air Kit

With sleek and contemporary styling, the Duo 4 not only offers exceptional 180° views of the flames, but also features a fully enclosed 'hidden' log store underneath the firebox.

As with all Duo stoves, the Duo 4 benefits from Nordpeis' optional External Air Kit which can reduce draughts within your room.



Duo 5

refined, minimalist design



Key Facts

- Nominal Heat Output: 5kW
- Heat Output Range: 3kW - 8kW
- Efficiency: 80%
- Dimensions: 470 x 1260 x 365mm (w x h x d)
- Flue: 150mm (top or rear)
- Weight: 112kg
- Maximum Log Length: 300mm
- Black Side Panels
- Airwash & Cleanburn Systems
- Optional External Air Kit

The Duo 5 is equally as elegant a stove as the Duo 4, featuring the same 'hidden' log store, but with sleek black side panels giving focus to the large flame window.





Quadro 1 & 1T

brehtaking, from all angles!



Quadro 1T



Key Facts

- Nominal Heat Output: 6.2kW
- Heat Output Range: 3kW - 8kW
- High Efficiency: 80%
- Dimensions: (w x h x d)
Quadro 1: 545 x 1205 x 440mm
Quadro 1T: 545 x 1421 x 440mm
- Weight: 104kg
- Flue: 150mm (top or rear)
- Available as 'Corner' Model
- Maximum Log Length: 300mm
- Airwash & Cleanburn Systems
- Optional External Air Kit

With superb styling and an angular glass window dramatically wrapping around two sides of the stove, the Quadro 1 can be enjoyed from all aspects of the room. The Quadro 1T, which features an additional top section is offered to facilitate a feature corner installation.

For draught reduction, there is the Optional External Air Kit which enables the stove to draw its combustion air directly from outside the property into the stove rather than drawing air from within the room







Quadro 2 & 2T

widescreen flame views



Quadro 2T



Quadro 2T

Key Facts

- **Nominal Heat Output:** 6.2kW
- **Heat Output Range:** 3kW - 8kW
- **High Efficiency:** 80%
- **Dimensions:** (w x h x d)
Quadro 2: 545 x 1205 x 440mm
Quadro 2T: 545 x 1421 x 440mm
- **Weight:** 113kg
- **Flue:** 150mm (top or rear)
- Available as 'Corner' Model
- **Maximum Log Length:** 300mm
- Airwash & Cleanburn Systems
- Optional External Air Kit

Featuring the same firebox characteristics as the Quadro 1, including a one-piece, two-sided glass window the Quadro 2 is not mounted on a pedestal but has an elegant continuous body reaching to the floor.

The Quadro 2T, which features an additional top section is available for those who want to install their stove in the corner of the room.





Smarty Classic

Key Facts



- **Nominal Heat Output:** 4kW
- **Heat Output Range:** 3kW - 8kW
- **High Efficiency:** 81.2%
- **Dimensions:** (w x h x d)
Classic model: 460 x 910 x 415mm
Concrete model: 490 x 960 x 415mm
- **Weight:** Classic: 134kg / Concrete: 170kg
- **Maximum Log Length:** 300mm
- **Flue:** 150mm (top or rear)
- **Maximum Log Length:** 300mm
- **Classic or Concrete Leg Models**
- **Airwash & Cleanburn Systems**
- **Optional External Air Kit**

With subtly curving lines, retro style and a Chrome handle the Smarty has a contemporary design inspired by the 1970's.

There are two models to choose from, the Smarty Classic, or for a more modern twist the Smarty Concrete which has two wide Concrete legs. Both offer a 4kW heat output and feature Airwash and Cleanburn systems, perfectly blending retro styling with modern technology.





Bergen

modern, traditional styling



Bergen with Claremont Limestone Mantel available from Stovax



Key Facts

- Nominal Heat Output: 5kW
- Heat Output Range: 3kW - 8kW
- High Efficiency: 84%
- Dimensions: 545 x 650 x 390mm (w x h x d)
- Weight: 115kg
- Flue: 150mm (top or rear)
- Maximum Log Length: 400mm
- Steel and cast iron construction
- Airwash & Cleanburn Systems
- Smoke Control Approved as standard

With high efficiency and 'modern traditional' styling, the Bergen offers a fresh alternative for heating in today's homes. With powerful Cleanburn and Airwash systems, you are assured of a continually excellent view of the fire through the impressive 16" door glass. Sturdily built from cast iron and heavy duty steel, the Bergen will provide many years of comfort and enjoyment.



See notes on British and Irish building regulations in the Important Safety and Technical Information Section on page 51



Orion

perfect for smaller living spaces



Key Facts

- **Heat Output Range:** 2kW - 7kW
- **High Efficiency:** 73%
- **Dimensions:** 325 x 625 x 510mm (w x h x d)
- **Weight:** 72kg
- **Maximum Log Length:** 300mm
- **Flue:** 150mm (top, side or rear)
- **Maximum Log Length:** 300mm
- **Cleanburn System**
- **Integral hotplate on stove top**

Featuring long elegant legs, subtly cast designs on the side and a small brass handle, the Orion is uniquely different.

The small proportions of the Orion make it perfect for smaller living spaces such as a conservatory, hallway or outdoor snug.

The useful hot plate can be used for boiling a kettle or cooking a stew - the perfect way to make the most of your stove and bring some traditional charm into your home.





NI-22

classic or contemporary style



NI-22 with Plinth and Canopy

Key Facts

- **Nominal Heat Output:** 6kW*
- **Heat Output Range:** 3kW - 10kW
- **High Efficiency:** 78.2%*
- **Dimensions:** 562 x 1063 x 427mm (w x h x d)
- **Flue:** 150mm (top)
- **Weight:** 108kg
- **Maximum Log Length:** 350mm
- **Optional Plinth and Canopy**
- **Suitable for use in inglenooks, or as a built in fireplace.**
- **Cleanburn System**

*When burning with the doors closed.

Crafted from cast iron the Nordpeis NI-22 is a high efficiency fireplace that can either be used as a traditional open fire, or for greater efficiency and heat output, you can close the elegant bi-folding doors.

There is an optional canopy and plinth for a traditional inglenook installation - please see page 46. Alternatively, you can mount the fireplace into the wall or on the hearth.





NI-25

the heart of your home



NI-25 with Grafton Limestone Mantel available from Stovax

Key Facts

- **Nominal Heat Output:** 6.2kW*
- **Heat Output Range:** 3kW - 14kW
- **High Efficiency:** 78.5%*
- **Dimensions:** 650 x 1178 x 526mm (w x h x d)
- **Flue:** 175mm (top)
- **Weight:** 147kg
- **Maximum Log Length:** 450mm
- **Optional Plinth and Canopy**
- Suitable for use in inglenooks, or as a built in fireplace.
- Cleanburn System

Like the NI-22, the larger NI-25 can either be built into a fireplace or combined with an optional canopy to create a stunning centrepiece for large fireplace openings and inglenooks. For more information on the optional canopy, please see page 46.



*When burning with the doors closed.





S-31A

modern, elegant lines

Shown with Odense Surround



The Odense is supplied in unfinished concrete which can be painted with breathable masonry based paint to suit your decor. Images show the Odense painted white.



Odense Painted Grey*

The high efficiency S-31A can either be built into a new wall corner installation or combined with the contemporary Odense surround. The Odense offers easy installation in the home; whether in a corner, against a straight wall or freestanding in the middle of a room.

The S-31A has a continuous double sided window that allows for an excellent view of the flames from all directions. Furthermore, the integral log store offers convenient reloading of the fire.

Key Facts

- Fire: S-31A
- Nominal Heat Output: 6kW
- Heat Output Range: 2kW - 10kW
- High Efficiency: 80%
- Flue: 150mm (top or rear)
- Airwash & Cleanburn Systems
- Odense Dimensions: (w x h x d)
500 x 1780 x 500mm
- Odense Weight: 253kg
- Maximum Log Length: 300mm
- Integral Log Store
- Corner, Straight wall or freestanding installation possible
- Optional Black or Clear Glass Floor Plate
- Optional External Air Kit
- Odense can be painted* to suit your decor

* With breathable masonry paint, please refer to your installation instructions.



*Kobe with Log Store with additional module
and optional black glass floor plate*



X-25F

design innovation at its best!

Shown with Kobe Surround



Kobe with Log Store reversed



Kobe with Log Store reversed and additional optional module



Kobe with Log Store and additional optional module



Kobe with Log Store, additional optional module and optional tapered insert

The Kobe is supplied in unfinished concrete which can be painted with breathable masonry paint to suit your decor. Images show the Kobe painted White.

Key Facts

- Fire: X-25F
- Heat Output Range: 2.7kW - 7kW
- High Efficiency: 81.4%
- Flue: 150mm (top or rear)
- Airwash & Advanced Cleanburn Systems
- Maximum Log Length: 500mm
- Kobe Dimensions: (w x h x d)
1430 x 1014/1336/x 417mm
- Kobe Weight: 425 - 480kg
- Optional External Air Kit
- Suitable for Sealed Passive Houses[†]
- Optional Black or Clear Glass Floor Plate
- Kobe can be painted* to suit your decor

X-25F is a unique new insert offering clean burning, even at lower running temperatures.

This makes the X-25F suitable for sealed modern houses which require only a low kW heat output but still desire all the aesthetics and ambiance of a real log fire.

Kobe was designed to emphasise the stunning widescreen flame views of the X-25F insert. The result is a simple and minimalistic fireplace surround with modern angled lines.

With individual elements the Kobe can be built in several different combinations, allowing you to create the perfect package for your home.

* With breathable masonry paint, refer to your installation instructions.

† This should always be checked with an appropriately qualified surveyor/architect.



X-20F

refined composition

Shown with Sakai Surround



The Sakai is supplied in unfinished concrete which can be painted with breathable masonry paint to suit your decor. Images show the Sakai painted white.

Key Facts

- Fire: X-20F
- Nominal Heat Output: 4kW
- Heat Output Range: 2kW - 5kW
- High Efficiency: up to 76%
- Flue: 150mm (top or rear)
- Airwash & Advanced Cleanburn Systems
- Maximum Log Length: 400mm
- Sakai Dimensions: (w x h x d) 450 x 1640 x 370mm
- Sakai Weight: 222kg
- Optional External Air Kit
- Suitable for Sealed Passive Houses†
- Optional Black or Clear Glass Floor Plate
- Sakai can be painted* to suit your decor

* With breathable masonry paint, please refer to your installation instructions.

† This should always be checked with an appropriately qualified surveyor/architect.

This stunning portrait cassette fire is both compact and highly efficient; ideal for modern homes.

Tall, slim and effortlessly stylish, the Sakai is specifically designed to house the X-20F. Integrating vents at the top and the bottom, this elegant surround will make a feature focal point of any interior with its clean, minimalist style.







X-20F

choice of front options

Shown with Taipei Surround



*Taipei in
White finish*



*Taipei in White finish
with Diamond Black front*



*Taipei in White finish
with Diamond Silver front*



*Taipei in White finish
with Rusty Brown front*

Key Facts

- **Fire:** X-20F
- **Nominal Heat Output:** 4kW
- **Heat Output Range:** 2kW - 5kW
- **High Efficiency:** up to 76%
- **Flue:** 150mm (top or rear)
- **Airwash & Advanced Cleanburn Systems**
- **Maximum Log Length:** 400mm
- **Taipei Dimensions:** (w x h x d) 443 x 1640 x 455mm
- **Taipei Weight:** 196kg
- **Optional External Air Kit**
- **Suitable for Sealed Passive Houses[†]**
- **Optional Black or Clear Glass Floor Plate**

In addition to the Sakai surround, the X20F portrait cassette fire is also available with the tall, slender Taipei surround which offers further aesthetic options. With its stylish looks and elegantly curved back, the Taipei easily becomes the centrepiece in any living space, occupying only a minimal amount of floor space thanks to its slim design.

The concrete Taipei surround is supplied in a clean white finish to fit a broad range of interior styles. Additionally, you can choose to upgrade the Taipei with a choice of beautiful, exclusive ceramic fronts including Diamond Black, Diamond Silver or Rusty Brown.

[†] This should always be checked with an appropriately qualified surveyor/architect.



N-20F

multi-faceted design

Shown with Dublin Surround



The Dublin is supplied in unfinished concrete which can be painted with breathable masonry paint to suit your decor. Images show the Dublin painted white.

Key Facts

- Fire: N-20F
- Nominal Heat Output: 7.4kW
- Heat Output Range: 2kW - 10kW
- High Efficiency: up to 82%
- Flue: 150mm (top or rear)
- Airwash & Advanced Cleanburn Systems
- Maximum Log Length: 400mm
- Dublin Standard Model Dimensions: (w x h x d) 750 x 1310 x 530mm
- Dublin Weight: 240 - 410kg
- Optional External Air Kit
- Optional Black or Clear Glass Floor Plate
- Optional log store
- Dublin can be painted* to suit your decor

* With breathable masonry paint, please refer to your installation instructions.

Rolling flames can be enjoyed to their full potential with the N-20F, a powerful, wide format cassette fire. Featuring a fantastic 7.4kW heat output, it is ideal for heating larger living spaces.

The N-20F is perfectly partnered by the multi-faceted Dublin surround to create a truly individual focal point for your home. Perfect for personalisation to suit your decor, the Dublin can be left with the smooth, white finish or painted to virtually any colour*.

Further enhancement can be made by choosing the optional concrete slatted front and choice of glass or steel floor plates.



Dublin with N-20F in Black with Log Store and optional concrete slatted front



Q-23 & Q-34

modular quality

Shown with Panama Surround



Q-23 and Panama surround with optional wood shelf

The Panama is supplied in unfinished concrete which can be painted with breathable masonry paint to suit your decor. Images show the Panama painted white.

Key Facts

- **Fire:** Q-23 & Q-34L/R (corner)
- **Guillotine style opening**
- **Nominal Heat Output:** 6kW
- **Heat Output Range:** 4kW - 9kW
- **High Efficiency:** up to 80% (Q-23) & 78% (Q-34)
- **Flue:** 150mm (top or rear)
- **Airwash & Advanced Cleanburn Systems**
- **Maximum Log Length:** 500mm
- **Panama Weight:** 313 - 451kg
- **Optional External Air Kit**
- **Optional log stores & side benches**
- **Panama can be painted* to suit your decor**

* With breathable masonry paint, please refer to your installation instructions.

For an advanced take on the cassette fire, the stunning Q-23 and Q-34 fires feature gliding guillotine style door openings and a generous 6kW heat output. Each fire produces a high efficiency of 78%, making them capable of providing a glowing warmth to a variety of spaces.

Beyond the Q-23, the Q-34 takes its innovative styling to a further level, with a left or right hand aspect view of the flames.

Adaptable and attractive, the Panama surround gives the perfect finish, designed to accentuate both fires and really highlight the Q-34 dual aspect. This superb modular system can be tailored to your home, with optional extras such as wood shelves and benches adding a new dimension to your living space.

For more Panama configuration options, please see pages 48 & 49.





*Q-34R with Fargo surround
and optional wood panels*



Q-34

understated style

Shown with Fargo Surround

Continuing from the Panama, Nordpeis has created a further, unique surround specifically designed for the Q-34 to showcase its unique, dual-aspect viewing area, while offering a striking finish to an already exceptional fire.

With an unfinished concrete facade, the Fargo surround is perfect left as a minimalist style statement to intensify the richness of colour in the fire. Further personalisation can be achieved by applying the paint colour of your choice* or adding the smart, oak panelling to create a contrasting fascia.

With integral black granite slips and optional white marble or waxed concrete floor plates, the Fargo is the ultimate in sophisticated styling, matched only by the unparalleled design of the Q-34.

The Fargo is supplied in unfinished concrete which can be painted with breathable masonry paint to suit your decor, or finished with the optional wood panels (see left).

Key Facts

- Fire: Q-34L/R (left or right corner)
- Nominal Heat Output: 6kW
- Heat Output Range: 4kw - 9kW
- High Efficiency: up to 78%
- Flue: 150mm (top or rear)
- Airwash & Advanced Cleanburn Systems
- Maximum Log Length: 500mm
- Fargo Dimensions: (w x h x d)
1145 x 1480 x 600mm
- Fargo Weight: 305kg
- Optional External Air Kit
- Fargo can be painted* to suit your decor
- Optional wood panels
- Optional concrete and marble floor plates

* With breathable masonry paint, please refer to your installation instructions.

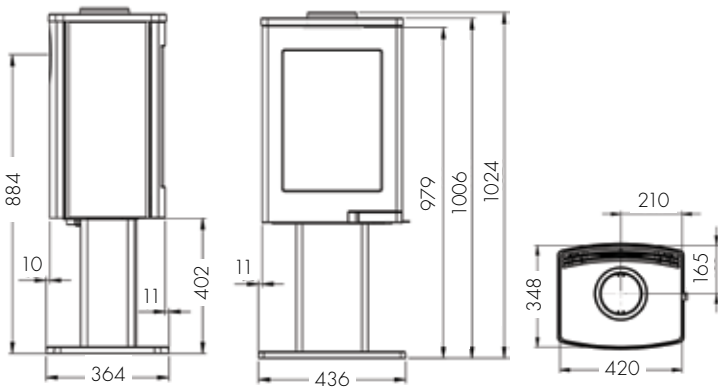


*Fargo with Q-34L
shown in white*

Technical Information

Uno 1

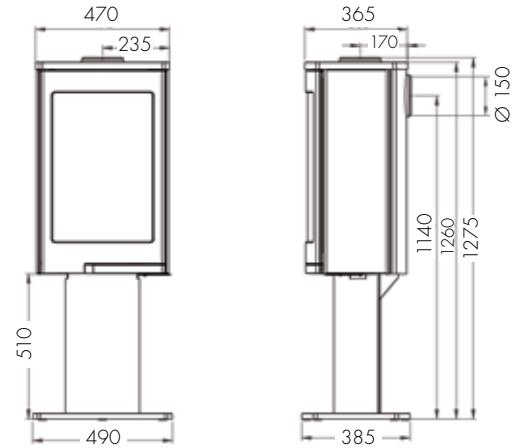
Pages 4 - 5



*Minimum distance to combustibles:**
150mm (rear), 500mm (side) & 600mm (above)

Duo 1

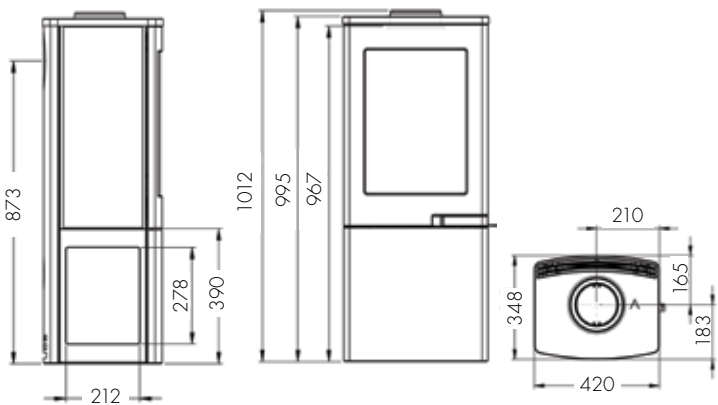
Pages 8 - 9



*Minimum distance to combustibles:**
100mm (rear), 400mm (side) & 600mm (above)

Uno 2

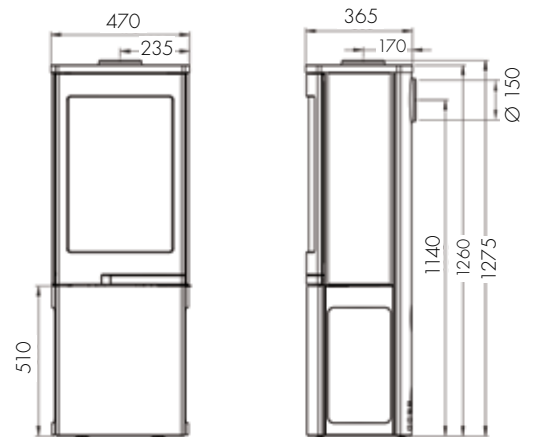
Pages 6 - 7



*Minimum distance to combustibles:**
150mm (rear), 500mm (side) & 600mm (above)

Duo 2

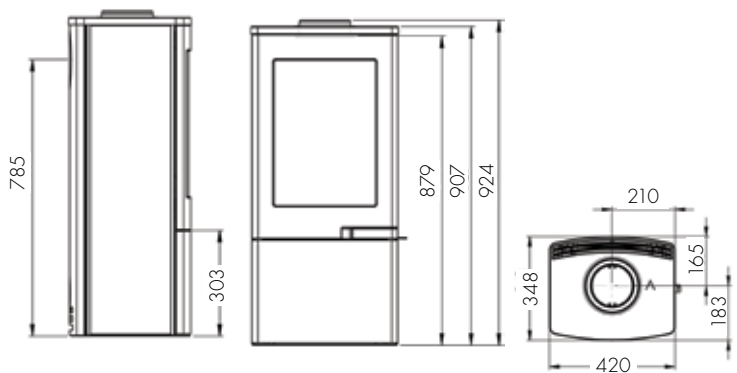
Pages 10 - 11



*Minimum distance to combustibles:**
100mm (rear), 400mm (side) & 600mm (above)

Uno 4

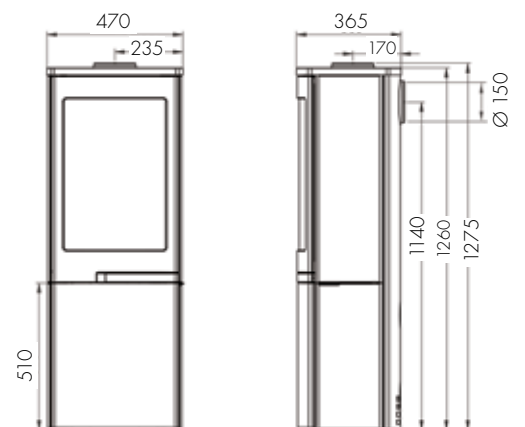
Pages 6 - 7



*Minimum distance to combustibles:**
150mm (rear), 500mm (side) & 600mm (above)

Duo 4

Pages 12 - 13



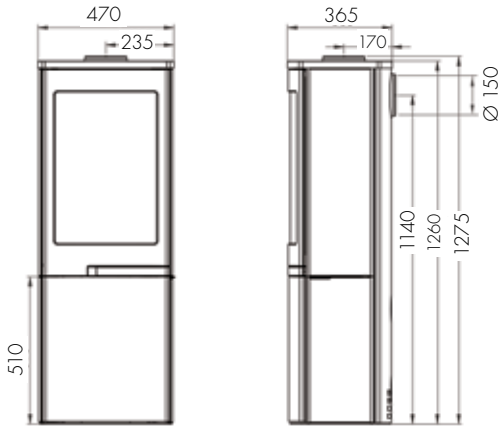
*Minimum distance to combustibles:**
100mm (rear), 400mm (side) & 600mm (above)

*A HETAS approved installer should undertake a site survey prior to purchase and must install your stove or fire for you. You may also view or download complete installation instructions from our website - www.nordpeis.co.uk. The diagrams on these pages cover some of the basic requirements and are for initial information purposes only, please see installation instructions for further information.

All dimensions are given in mm

Duo 5

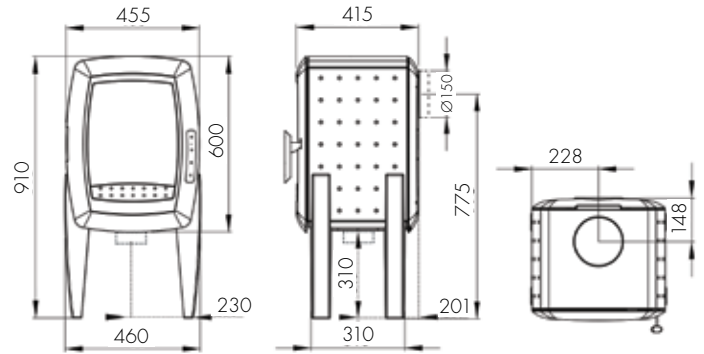
Pages 14 - 15



Minimum distance to combustibles:*
100mm (rear), 400mm (side) & 600mm (above)

Smarty Classic

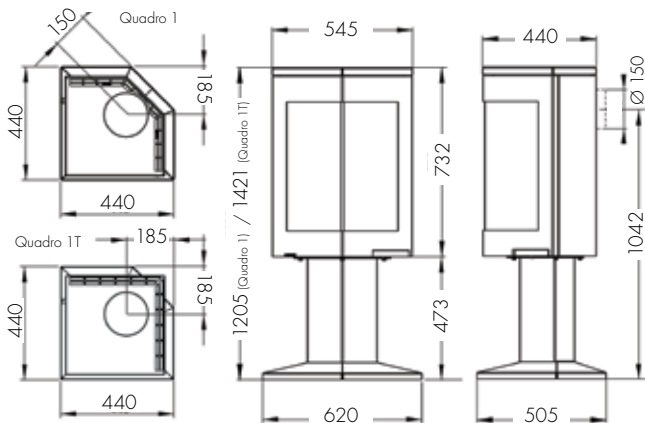
Pages 20 - 21



Minimum distance to combustibles:*
250mm (rear) & 500mm (side)

Quadro 1

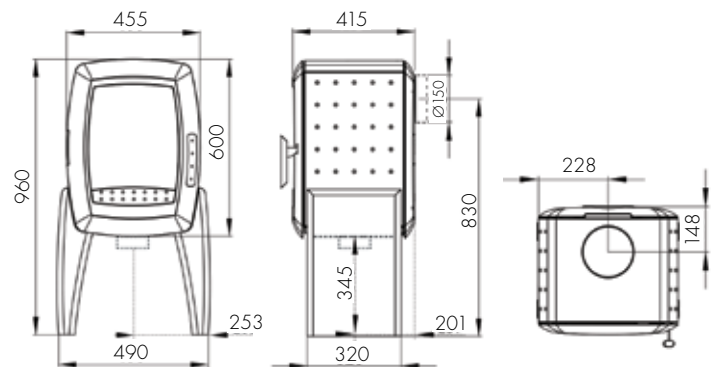
Pages 16 - 17



Minimum distance to combustibles:*
200mm (rear) & 400mm (side)

Smarty Concrete

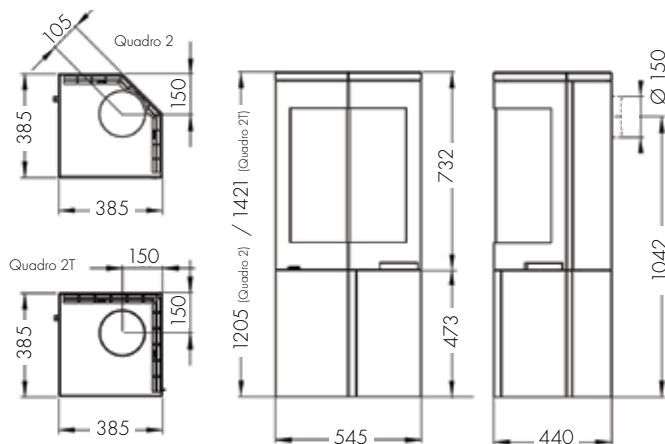
Pages 20 - 21



Minimum distance to combustibles:*
250mm (rear) & 500mm (side)

Quadro 2

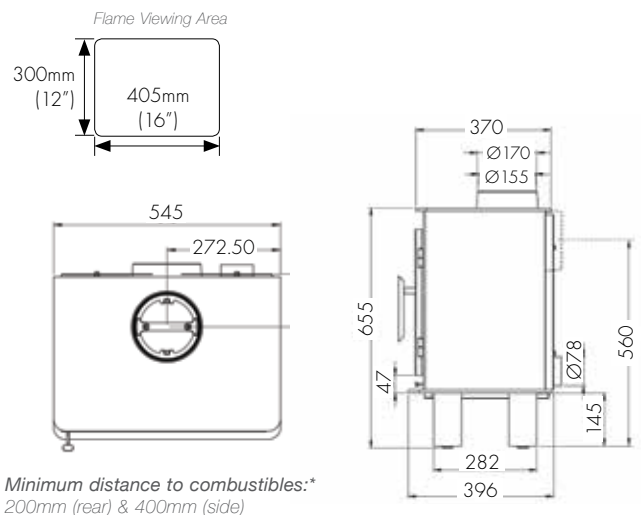
Pages 18 - 19



Minimum distance to combustibles:*
200mm (rear) & 400mm (side)

Bergen

Pages 22 - 23

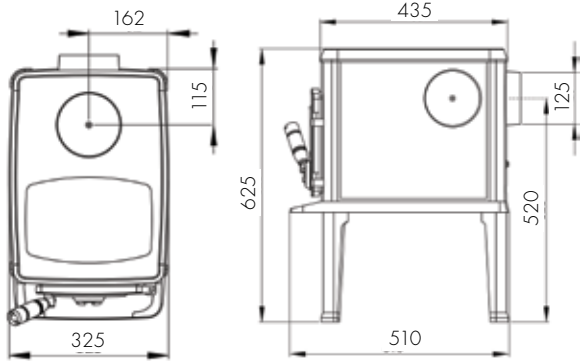


Minimum distance to combustibles:*
200mm (rear) & 400mm (side)

Technical Information

Orion

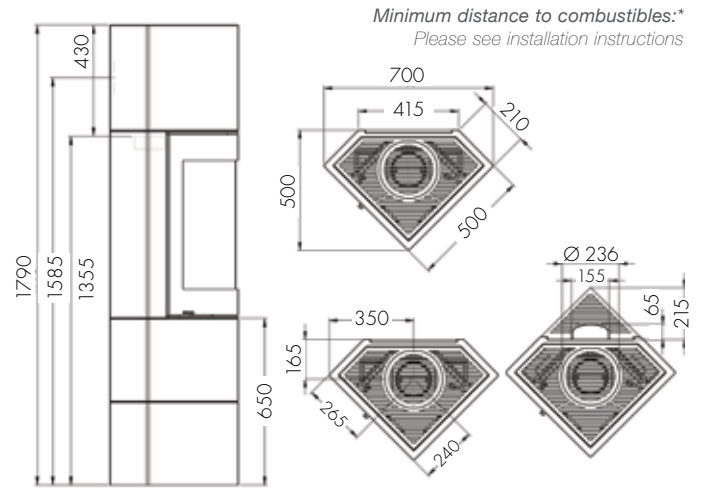
Pages 24 - 25



Minimum distance to combustibles:*
600mm (rear) & 600mm (side)

Odense Surround

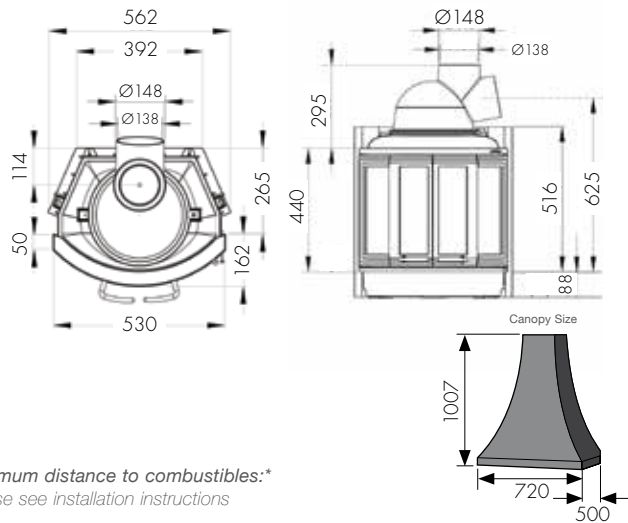
Pages 30 - 31



Minimum distance to combustibles:*
Please see installation instructions

NI-22

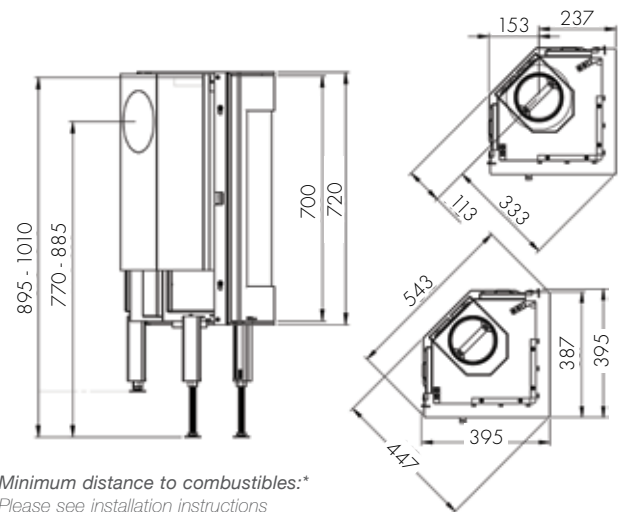
Pages 26 - 27



Minimum distance to combustibles:*
Please see installation instructions

S-31A (for Odense surround)

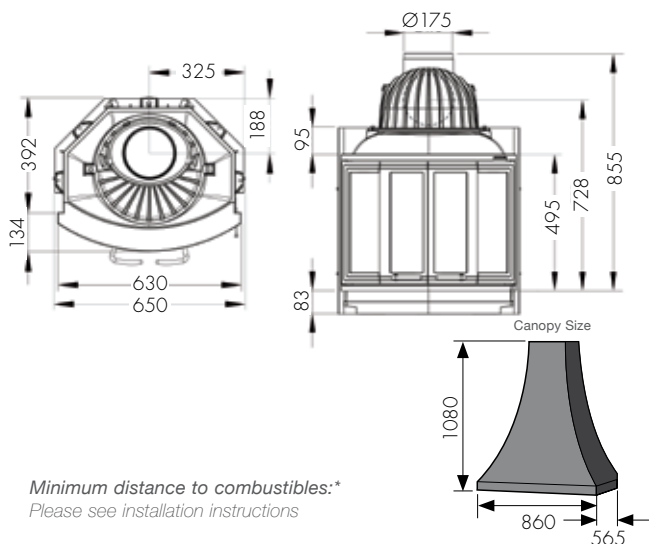
Pages 30 - 31



Minimum distance to combustibles:*
Please see installation instructions

NI-25

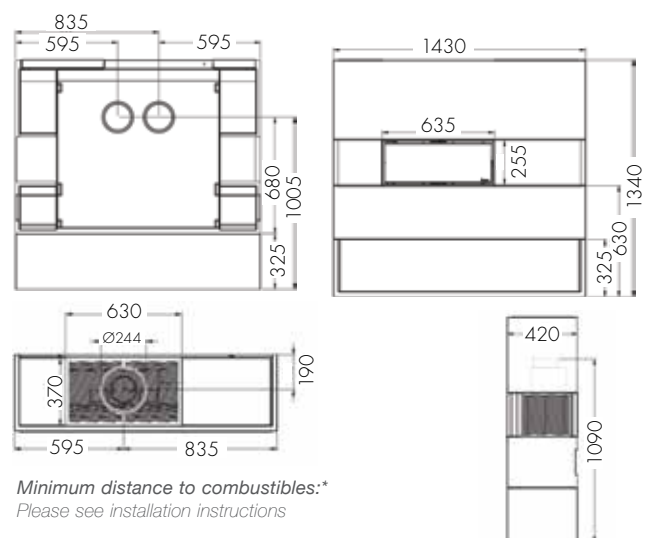
Pages 28 - 29



Minimum distance to combustibles:*
Please see installation instructions

Kobe Surround

Pages 32 - 33



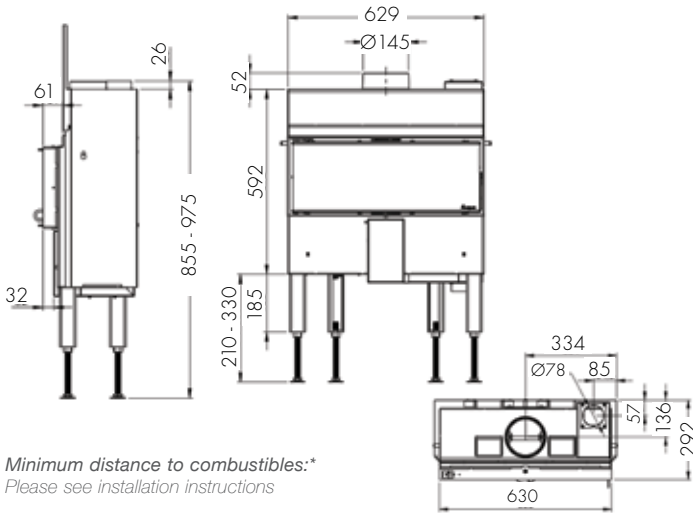
Minimum distance to combustibles:*
Please see installation instructions

*A HETAS approved installer should undertake a site survey prior to purchase and must install your stove or fire for you. You may also view or download complete installation instructions from our website - www.nordpeis.co.uk. The diagrams on these pages cover some of the basic requirements and are for initial information purposes only, please see installation instructions for further information.

All dimensions are given in mm

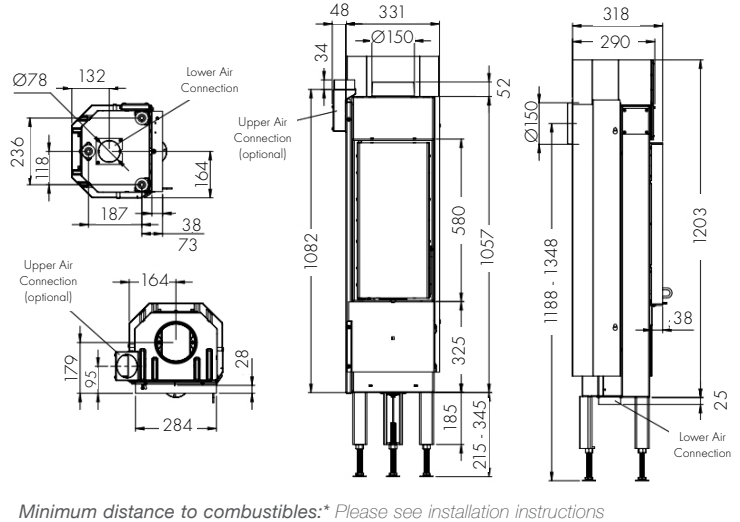
X-25F (for Kobe surround)

Pages 32 - 33



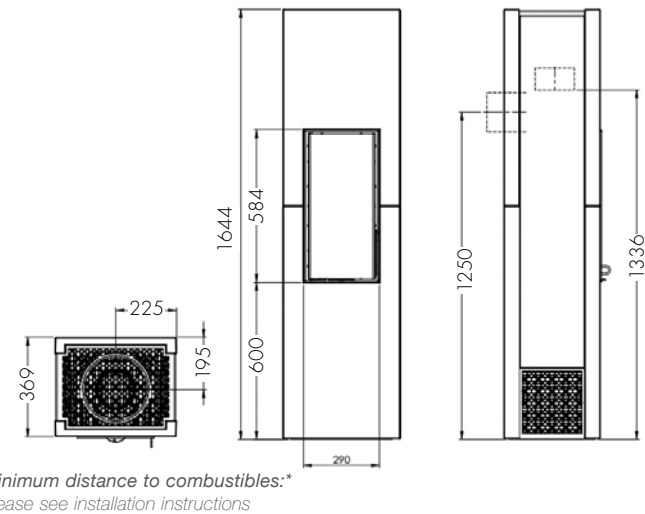
X-20F (for Sakai & Taipei surround)

P34 - 37



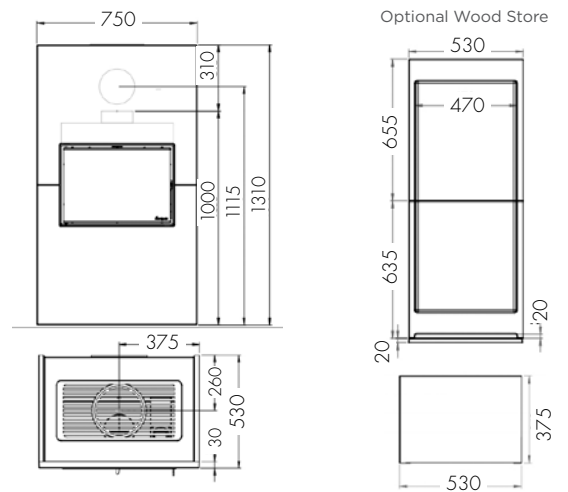
Sakai Surround

Pages 34 - 35



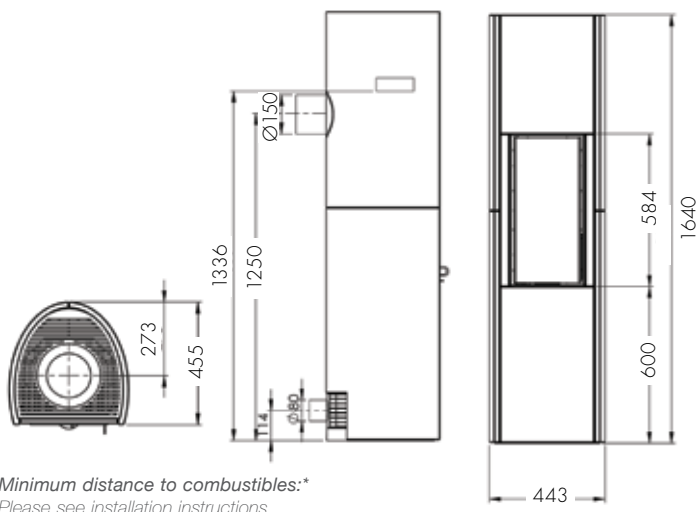
Dublin Surround

P38 - 39



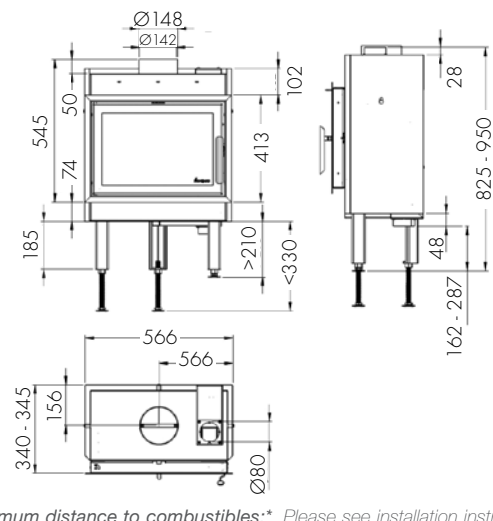
Taipei Surround

Pages 36 - 37



N-20F (for Dublin surround)

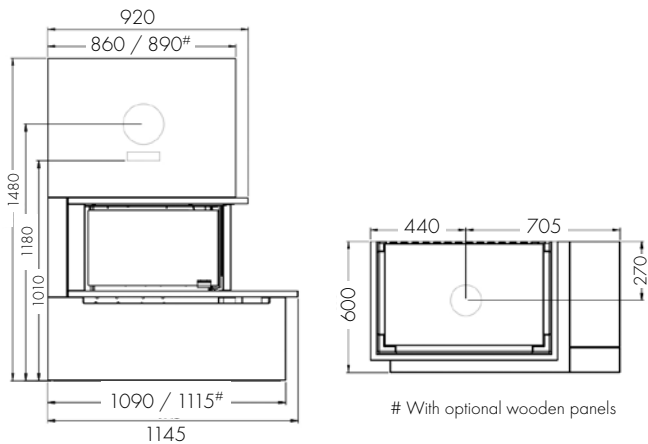
P38 - 39



Technical Information

Fargo Surround

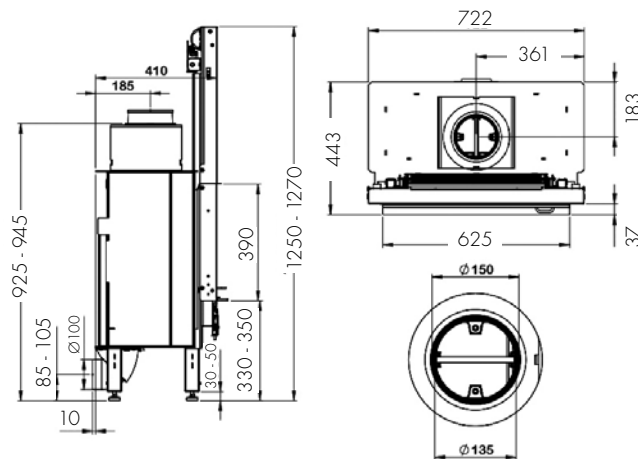
P40 - 41



Minimum distance to combustibles:* Please see installation instructions

Q-23 (for Panama surround)

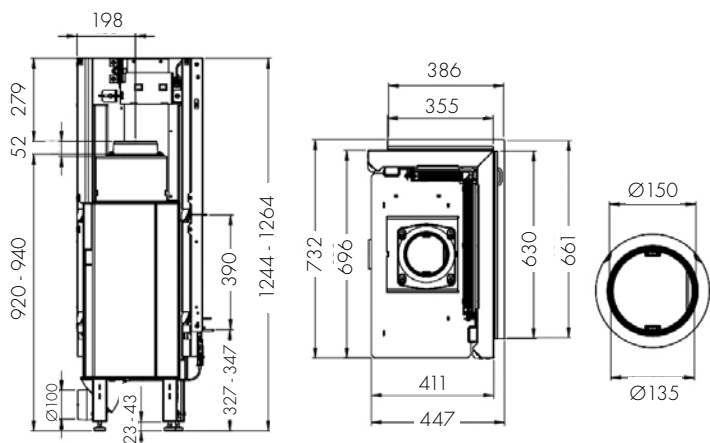
P40- 41



Minimum distance to combustibles:* Please see installation instructions

Q-34 (for Panama & Fargo surrounds)

P40 - 43

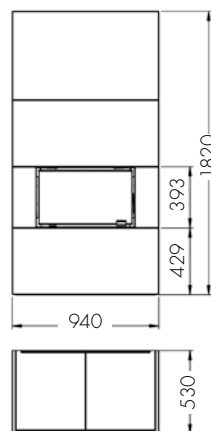


Minimum distance to combustibles:* Please see installation instructions

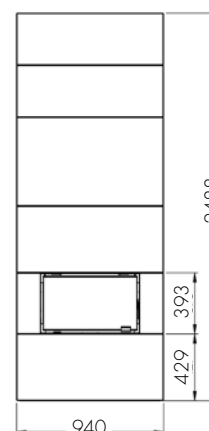
Panama Surround (for Q-23)

P40 - 41

Panama for Q-23 fires



Panama with Extension Set for Q-23 fires

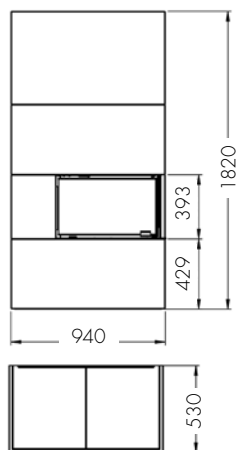


Minimum distance to combustibles:* Please see installation instructions

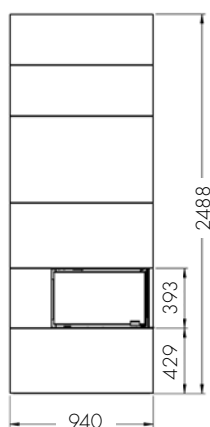
Panama Surround (for Q-34)

P40 - 41

Panama for Q-34L / R Corner Fires



Panama with Extension Set for Q-34L / R Corner Fires

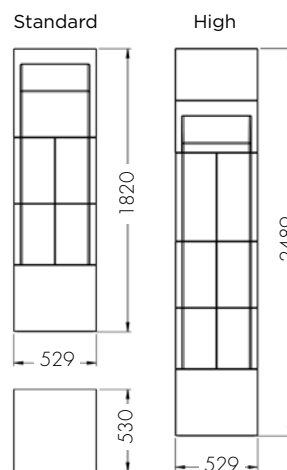


Minimum distance to combustibles:* Please see installation instructions

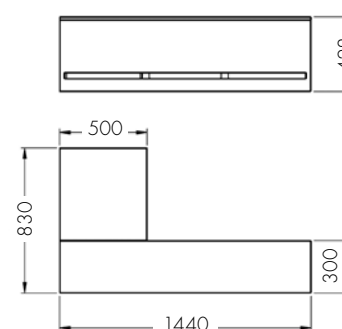
Panama Options

P40 - 41

Optional Panama Wood Shelf



Optional Panama Bench Set



The Panama bench set is also available with optional top plates in a choice of Colorado Anthracite or White Marble.

*A HETAS approved installer should undertake a site survey prior to purchase and must install your stove or fire for you. You may also view or download complete installation instructions from our website - www.nordpeis.co.uk. The diagrams on these pages cover some of the basic requirements and are for initial information purposes only, please see installation instructions for further information.

All dimensions are given in mm

Panama Surround - Possible Configurations



Panama Basic Model with Q-23 fire



Panama Basic Model with Q-34L fire



Panama Basic Model with Q-34R fire



Panama Basic Model with Q-34R fire and Extension Set

POSSIBLE CONFIGURATIONS WITH OPTIONAL WOOD SHELF



Panama Basic Model with Standard Wood Shelf with Q-34L



Panama Basic Model with Standard Wood Shelf with Q-23



Panama Basic Model with Q-23 fire, Extension Set and High Wood Shelf



Standard (left) and High (right) Wood Shelves

POSSIBLE CONFIGURATIONS WITH OPTIONAL BENCH SET



Panama with Q-34R fire, Bench Set and Colorado Anthracite Top Plate



Panama with Q-23 fire, Bench Set and White Marble Top Plate



Optional Bench Set with Colorado Anthracite Top Plate



Optional Bench Set with White Marble Top Plate

The Panama is supplied in unfinished concrete which can be painted with breathable masonry paint to suit your decor. Images show the Panama painted white.

Accessories & Flue Pipe

Cauto Log Store

The Cauto is the ultimate piece of fireside furniture. With subtly curving edges, this luxurious log store is the perfect accompaniment to a contemporary Nordpeis stove or fireplace. The Cauto is crafted from unfinished concrete allowing it to be painted* to any colour you wish to perfectly match your home decor!

Cauto Dimensions (w x h x d): 390 x 1280 x 480mm
Weight: 93kg

** With breathable masonry paint.
Please refer to your installation instructions.*



Care of your Stove or Fireplace

To help you get the best performance from your stove or fireplace and keep it in good condition, inside and out, Stovax (Nordpeis' distributor in the UK and Republic of Ireland) offers a wide range of cleaning and maintenance products and fireplace accessories. Your Nordpeis retailer will be able to give you full details or you can view the complete range online at www.stovax.com.



Professional XQ™ Chimney Systems

Nordpeis recommends the Stovax Professional XQ™ range of comprehensive stove and fireplace chimney systems. Crafted from 304L grade stainless steel for a durable outer finish, the fully sealed components offer water tight protection for the insulation within.

With innovative decorative options, the ability to specify a colour for your system, and with a host of technical advancements such as its Twist-Lock system, the Stovax Professional XQ™

range provides an attractive, versatile and reliable solution for your flue system. Furthermore, the Stovax Professional XQ™ range carries a 10 Year Extended Warranty offering complete peace of mind.

For further information or to request a brochure, simply contact your local retailer or visit www.stovax.com/chimneysystems.



Further Information

Approved for Smoke Control Areas

Most town and city homes in the UK are located in Smoke Control Areas as designated by the Clean Air Act 1993. To burn logs on a stove in these locations, the model installed must have been granted exemption from the regulations by the Government through DEFRA. This exemption is given only to appliances which have been independently tested

to demonstrate particularly clean burning combustion. Many stoves in this brochure are approved for use in Smoke Control Areas and this is shown on each relevant product page. Your Nordpeis retailer can give you further help and advice.



Product Warranty & Improvement

Nordpeis pursue a policy of constant product improvement. Products supplied may therefore differ in specification from those illustrated or described in this brochure, and you should always check the final specification with your Nordpeis retailer.

Your Nordpeis Expert Retailer will provide you with a Two Year Warranty for your new woodburning stove or fire. This can be extended to a 5 Year Warranty by registering your appliance with us. Please note, these warranties exclude certain consumable

parts and are dependant on your appliance being serviced by an appropriately qualified person 12 months after installation and annually thereafter.

Stoves and fires purchased outside of Nordpeis' Expert Retailer Network will carry a standard One Year Non-Extendable Warranty. Full details of this warranty are set out to view on our website at www.nordpeis.co.uk.



Important Safety & Technical Information

We recommend that a HETAS approved installer should undertake a site survey prior to purchase and it is a requirement that any Nordpeis stove or fire should be installed by an appropriately qualified HETAS approved installer.

Please note that the installations shown within this brochure may not conform to British and Irish building regulations. Please consult with a qualified professional installer (HETAS registered in the United Kingdom) for expert advice including the requirement for a hearth in your home.

All fires and stoves consume air as they burn. To comply with Building Regulations (Document J) you may need to install a fixed air vent to ensure adequate ventilation. A room vent is not normally required when the air permeability is greater than 5.0m³/hr/m².

The 'Nominal' heat output is to be used for calculating the ventilation provision as required by ADJ Building Regulations and

for calculating its suitability for heating the size of room it will be fitted into. The heat output 'Range' is to be used as a guide only as the maximum and minimum performance will depend on local conditions e.g. flue pull, fuel quality and, importantly, the way in which the product is used.

Your Nordpeis retailer or HETAS installer will be able to advise on this. You can also download detailed installation instructions prior to purchase from www.nordpeis.co.uk. Furthermore, by law all installations also require a Carbon Monoxide Monitor be supplied and fitted.

Please note that all parts of these stoves and fires, particularly the glass panel in the door, become extremely hot during operation and can result in serious injury and burns if touched. It is therefore recommended that a fireguard complying with BS 8423:2002 is used in the presence of young children, the elderly or infirm.

NI-25 with Optional Plinth and Canopy



Nordpeis

United Kingdom & Republic of Ireland distributors for Nordpeis:

Stovax Limited
Falcon Road, Sowton Industrial Estate,
Exeter, Devon EX2 7LF

UK Trade Sales tel: 01392 474000
ROI Trade Sales tel: 00 44 1392 261990
Fax: 01392 219932
E-mail: nordpeis@stovax.com
www.nordpeis.co.uk



To view & download our complete range of brochures, simply scan this code or visit www.stovax.com

Your local Nordpeis retailer:

£2.00

NORDPEIS0316

